

Lumination® LED Luminaire



Diffuser Replacement (RPL Series)



BEFORE YOU BEGIN

Read these instructions completely and carefully.

⚠ WARNING / AVERTISSEMENT

RISK OF ELECTRIC SHOCK

- Turn power off before inspection, installation or removal.
- Properly ground electrical enclosure.

RISK OF FIRE

- Follow all NEC and local codes.
- Use only UL approved wire for input/output connections. Only use size 18 AWG (0.75mm²).

RISQUES DE DÉCHARGES ÉLECTRIQUES

- Coupez l'alimentation avant d'inspecter, installer ou déplacer le luminaire.
- Assurez-vous de correctement mettre à la terre le boîtier d'alimentation électrique.

RISQUES D'INCENDIE

- Respectez tous les codes NEC et codes locaux.
- N'utilisez que des fils approuvés par UL pour les entrées/sorties de connexion. Taille minimum 18 AWG (0.75mm²).

Save These Instructions

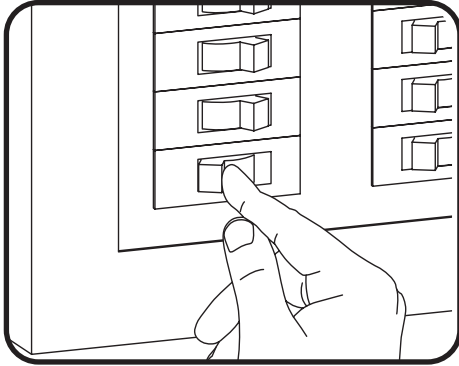
Use only in the manner intended by the manufacturer. If you have any questions, contact the manufacturer.

Tools and Components Required

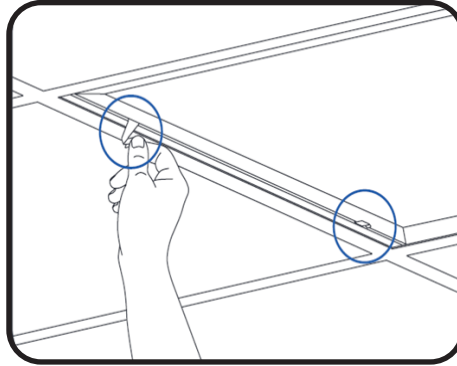
Description Code	Corresponding Luminaires
RPL22A Replacement diffuser	RPL22 series
RPL24A Replacement diffuser	RPL24 series

Diffuser Replacement Steps

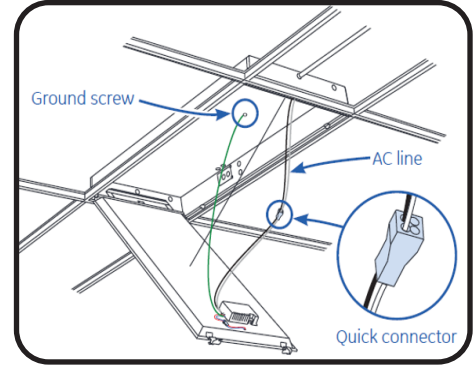
NOTE: The following steps depict the 22 Series luminaire. However, the procedure is the same for the 24 Series fixtures.



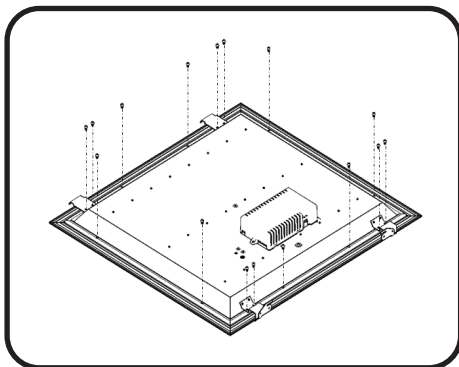
1 TURN OFF POWER at the source to the luminaire.



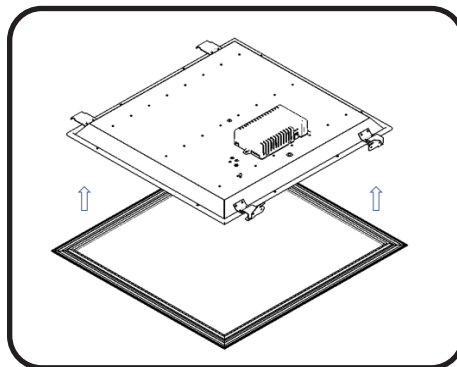
2 Release latches on the end of the fixture. Carefully pull down the fixture from latch side.



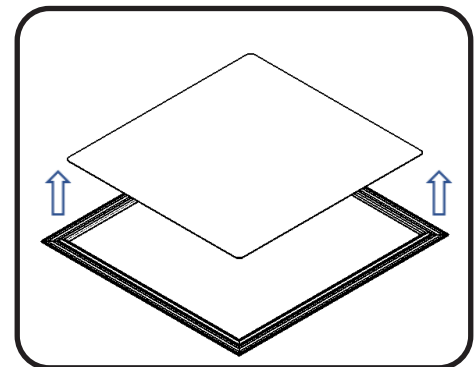
3 Disconnect the quick connector for AC line and screw for ground wire. Then carefully take down the fixture from the mounting bracket.



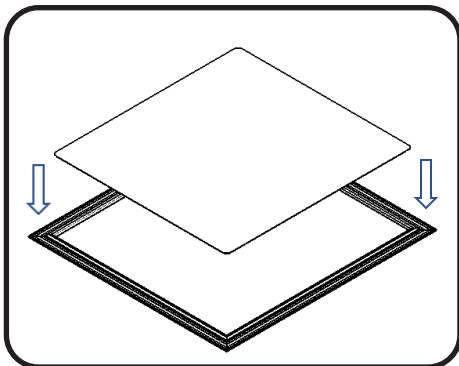
4 Remove the screws on the back of the housing which connected the housing and front bezel.



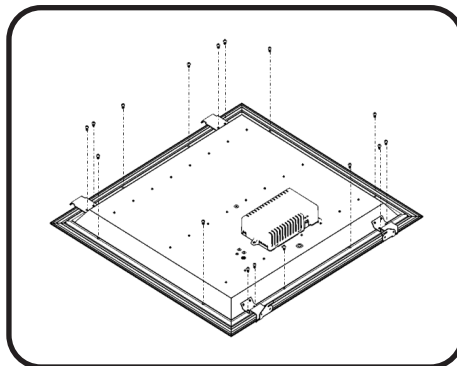
5 Carefully pull the housing from the front bezel.



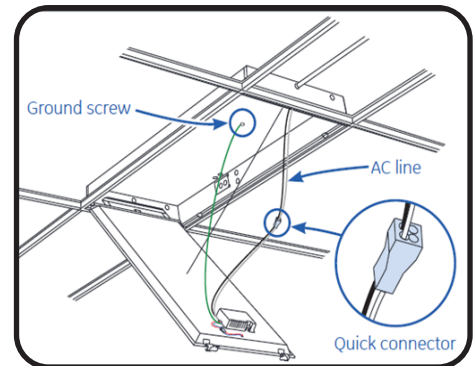
6 Pull out the old diffuser.



7 Put the new diffuser on the front bezel.



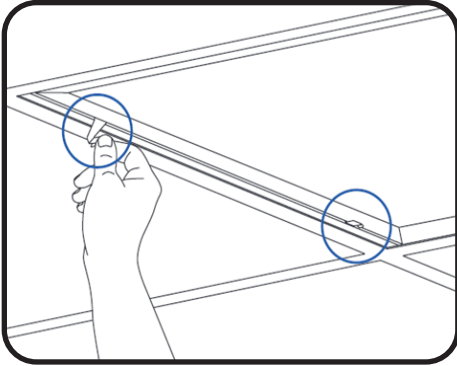
8 Fix all the screws on the back of the housing which connect the housing and front bezel.



9 Attach the fixture to the LED panel bracket with the hinges. Hang the other end of the tether to the installed bracket. Pull the tether lasso light. Connect the LED driver to AC line and install grounding wire.

Diffuser Replacement Steps

NOTE: The following steps depict the 22 Series luminaire. However, the procedure is the same for the 24 Series fixtures.



- 10 Secure fixture by locking latch found on the end of the fixture. Make sure wires and tether are on the back of the fixture.

These instructions do not purport to cover all details or variations in equipment nor to provide for every possible contingency to be met in connection with installation, operation or maintenance. Should further information be desired or should particular problems arise which are not covered sufficiently for the purchaser's purposes, the matter should be referred to GE Current a Daintree Company