



Channel letter lighting systems

Visibly better

Tetra[®] MS

GE current
a Daintree company

With powerful **OptiLens™ X** and groundbreaking energy efficiency

Tetra® MS —the remarkable 24V LED system designed for small channel letters as shallow as 1.5 inches in depth delivers incredibly uniform light, installs easily and operates efficiently. Tetra® MS is IP66 and UL wet rated which makes it more robust and reliable even under wet weather.

Powerful OptiLens™ X

Tetra® MS features OptiLens™ X, our patented technology that allows for an incredible 165° viewing angle. This exclusive technology redirects otherwise wasted light to the sign face, making sure your signs shine.

Class-leading loading

Now load up to 90.5 feet (27.6 m) or 362 modules of 24V **Tetra® MS** per 100W power supply using our new and improved GLX2 power supplies.

Improved stroke spacing

24V **Tetra® MS** stroke spacing has improved, thanks to the new OptiLens™ X wide beam angle. In addition, its new silicone flow channels have increased bonding strength by 10-20%.



Tetra® MS Features

- **Wide 165° beam angle**
- **Improved luminous intensity**
- **Efficacy: 119 lm/W**
- **24 Volt DC, Class 2 (UL), Class III (IEC)**
- **UL Wet Rated & IP66**
- **5-year limited warranty**

Tetra® MS Spacing

Can Depth	Coverage	Multiple Strings
1" (25mm)	2" (51mm)	1.5" (38mm)*
1.5" (38mm)	4" (102mm)	2.5" (64mm)
2" (51mm)	6" (152mm)	5" (127mm)
3" (76mm)	7" (178mm)	5" (127mm)

*Face material must be at least 3/16" (5mm) thick

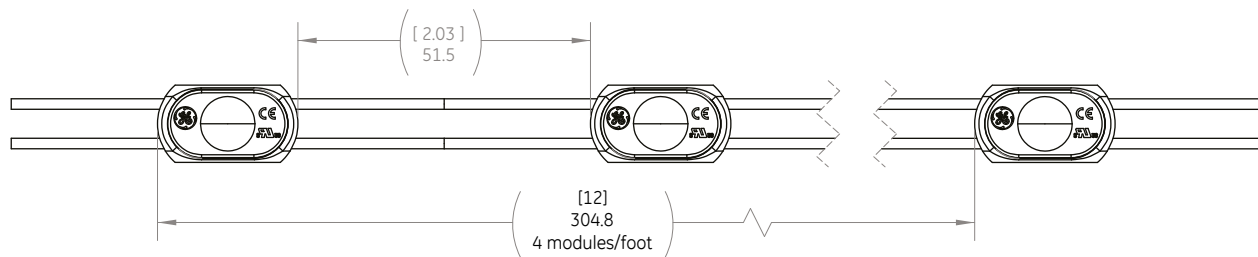
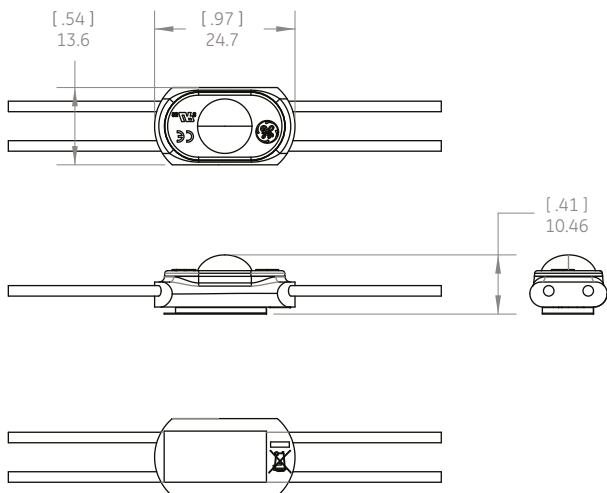
Total Reliability

To ensure every Tetra® MS installation will operate brilliantly for years, we perform the most extensive, stringent testing in the industry. We test the LED, water and dust ingress protection, sub-system and complete system at our in-house and independent laboratories around the world. Validation of our designs, components, products and processes include high-temperature, high-humidity and accelerated life testing.

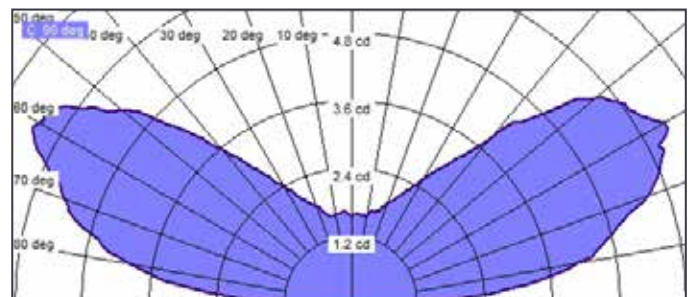


Mechanical Outline & Viewing Angle

Dimensions in (inches). Metric equivalent mm.



Accessories		
SKU	Description	Package Quantity
GETMEC1	18 AWG Wire End Caps (0.82 mm ²)	100/bag
9409	18 AWG Supply Wire (0.82 mm ²)	500 ft (152.40 m)/spool
191600041	22-14 AWG Twist-on Wire Connector (0.33-2.08 mm ²)	500/bag
192160004	18-14 AWG In-line Splice Connector (0.82-2.08 mm ²)	500/bag



Components

SKU	Model	Details	Color	Pkg. Quantity	Modules per Strip
93053674	GEMS2471-W1	Tetra® MS 24V 7100K	White	5 Strips/Box	80 modules per strip (20 ft/strip)
93118641	GEMS2465-W1	Tetra® MS 24V 6500K	Warm White	5 Strips/Box	80 modules per strip (20 ft/strip)
93053675	GEMS2450-W1	Tetra® MS 24V 5000K	Warm White	5 Strips/Box	80 modules per strip (20 ft/strip)
93053676	GEMS2441-W1	Tetra® MS 24V 4100K	Warm White	5 Strips/Box	80 modules per strip (20 ft/strip)
93053677	GEMS2432-W1	Tetra® MS 24V 3200K	Warm White	5 Strips/Box	80 modules per strip (20 ft/strip)

Technical Specifications

Model	Wavelength/ CCT	Typical Brightness Lumens/ module	Typical Brightness Lumens/ft (Lumens/m)	Energy Consumption Module Wattage	Energy Consumption System Wattage	100W GLX Power Supply Loading	100W GLX2/ TT Power Supply Loading	Viewing Angle
GEMS2471-W1	7100K	27.5	110 (361)	0.23w/module	0.27w/module	85 ft (25.9 m)	90.5 ft (27.6 m)	165°
GEMS2465-W1	6500K	27.5	110 (361)	0.23w/module	0.27w/module	85 ft (25.9 m)	90.5 ft (27.6 m)	165°
GEMS2450-W1	5000K	27.5	110 (361)	0.23w/module	0.27w/module	85 ft (25.9 m)	90.5 ft (27.6 m)	165°
GEMS2441-W1	4100K	27.5	110 (361)	0.23w/module	0.27w/module	85 ft (25.9 m)	90.5 ft (27.6 m)	165°
GEMS2432-W1	3200K	25	100 (328)	0.23w/module	0.27w/module	85 ft (25.9 m)	90.5 ft (27.6 m)	165°

Additional Specifications

Dimmable	Yes (with dimmable power supply)				
LEDs/Module	1				
LEDs/ft (LEDs/m)	4 (13)				
Modules/ ft. (Modules/m)	4 (13)				
Cutting Resolution	Cut on wire between every module				
Power Supply	GEPS24-25-NA Input: 100-305VAC; Output: 24VDC GEPS24D-80U Input: 90-305VAC; Output: 24VDC GEPS24-100U Input: 108-305VAC; Output: 24VDC GEPS24-200U Input: 90-305VAC; Output: 24VDC GEPS24-300U Input: 108-305VAC; Output: 24VDC				
Maximum Supply Wire Limits		18 AWG/0.82 mm² Supply Wire	16 AWG/1.31 mm² Supply Wire	14 AWG/2.08 mm² Supply Wire	12 AWG/3.31 mm² Supply Wire
	25W Power Supply	120 ft./36.6 m	-	-	-
	80W Power Supply	20 ft./6.1 m	25 ft./7.6 m	35 ft./10.6 m	40 ft./12.1 m
	100W Power Supply	20 ft./6.1 m	25 ft./7.6 m	35 ft./10.6 m	40 ft./12.1 m
	200W Power Supply	20 ft./6.1 m	25 ft./7.6 m	35 ft./10.6 m	40 ft./12.1 m
300W Power Supply	20 ft./6.1 m	25 ft./7.6 m	35 ft./10.6 m	40 ft./12.1 m	
Operating Environment	-40 °C to +60 °C (-40 °F to +140 °F)				
Module Dimensions (h x l x w)	0.41" x 0.97" x 0.54" (10.46 mm x 24.7 mm x 13.6 mm)				
Warranty	Limited system warranty of up to five (5) years				
System Certifications	UL Recognized (C-US) #E219167, UL Classified (C-US) #E229508, CE, ROHS • IP66 rated: for dry, damp or wet location.				