

# Lumination® LED Luminaires

## LDX Small Aperture 2" Downlight



CUSTOMER NAME \_\_\_\_\_

Project Name \_\_\_\_\_

Date \_\_\_\_\_ Type \_\_\_\_\_

Catalog Number \_\_\_\_\_

**Lumination®** LDX Series Small Aperture downlight is a true 2" high-performance LED downlight, ideal for commercial and hospitality applications, available in both round and square form factors and a number of premium finish options. The Small Aperture is available in both fixed and adjustable (360° rotation & 35° tilt) and is fit for both retrofit and new construction. The Small Aperture provides superior quality of light at 90+ CRI thanks to its many beam angles, optics, CCT options, lumen packages, and optional glare-reducing "Visual Comfort" lens.

### CONSTRUCTION

**Housing:** All metal construction with aluminum trim

**Lens:** Silicone

**Paint:** Powdercoat painted in white, black or silver

**Weight:** 5 lbs (2.7kg) total system

**Optical Assembly:** High beam intensity, smooth beams with no color separation or pixelation

### OPTICAL SYSTEM

**Lumens:** 1000- 2000lm

**Distribution:** Spot (16°), Narrow Flood (20°), Flood (25°), Wide Flood (30°)

**Efficacy:** Up to 109 LPW

**CCT:** 3000K, 3500K, 4000K

**Adjustability:** 360° rotations and 35° tilt

**Features:**

**CRI (Min):** 90 CRI

### CONTROLS

**Dimming:** Standard - 0-10V

**Dimming:** Lutron PEQ Hi-lume 0.1% EcoSystem®

**Sensors:** Daintree Compatible w/ Controls Kit  
(see Ordering for additional info)

### LUMEN AMBIENT TEMPERATURE

Product ID

OPERATING TEMPERATURE

LDXB2

-10° TO +35° C

### LUMEN MAINTENANCE

Projected Lxx per IES TM-21 at max 25°C

LXX(10K) @ Hours

50,000 HR

L85

### ELECTRICAL

**Input Voltage:** 120-277V, 347V

**Input Frequency:** 50/60Hz

**Standard Dimming** 0-10V, 1%

**Control:** Lutron hi-lume 0.1% Ecosystem

**Power Factor (PF)\*:** > 0.9%

**Total Harmonic Distortion (THD)\*:** <20%

\* System PF and THD specified at rated watts

### MOUNTING

- Retrofit to existing frame
- New construction, utilizing FRAME2R or FRAME2S option (Includes adjustable hanger bars)

### DESIGN LIFE & WARRANTY

- Damp Location rated
- Current's ENERGY STAR® Limited 5-year Warranty: Please refer to document **IND499** for more information.

# Lumination® LDX Series

## LDX Small Aperture 2" Downlight

### Catalog Logic

#### CUSTOMER NAME

Project Name \_\_\_\_\_

Date \_\_\_\_\_ Type \_\_\_\_\_

Catalog Number \_\_\_\_\_

**LDXB2**

**0**

**9**

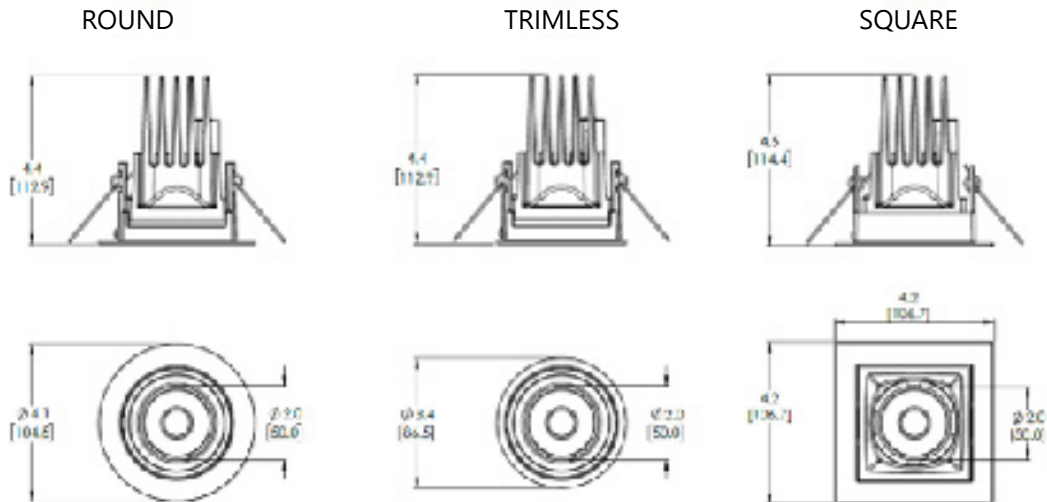
FAMILY	FIXTURE TYPE	VOLTAGE	NOMINAL LUMEN	DISTRIBUTION	CRI	CCT	CONTROLS	FINISH	OPTIONS
LDXB2 = Lumination® Downlight, 2 inch Small Aperture	RA = Round Adjustable	0 = 120-277VAC	10 = 1000LM	SP=Spot (16°)	9 = 90 CRI	30=3000K	V1= 0-10V 1%	WHITE= White	(BLANK) = None
	RF = Round Fixed		15 = 1500LM	NF=Narrow Flood (20°)		35=3500K		SLVR= Silver	
	SA = Square Adjustable		20 = 2000LM	FL=Flood (25°)		40=4000K		BLCK= Black	
	SF = Square Fixed			WF=Wide Flood (30°)					

FL and WF options Available Soon.  
Contact your local representative for availability.

CCT	SCALING FACTOR	NOMINAL LUMEN	1000 LM	1500 LM	2000 LM
3000K	0.95	Fixture Deliverable Lumens	1029	1522	1915
3500K	1	System Input Power (W)	9.5	14.3	18.7
4000K	1.04	System Efficacy (LPW)	108.91	106.31	102.5

\*Table based on 3500K CCT using white finish

## PRODUCT DIMENSIONS



CONFIGURATION	HOLE SIZE (INCHES)	CEILING THICKNESS (INCHES)
ROUND	3.75 - 4.0	0.5-1.5
SQUARE	3.75 x 3.75 - 4.0 x 4.0	0.5-1.5
TRIMLESS	3.5	0.5-1.5

Refer to accessories page for more information on frame kits

# Lumination® LDX Series

## LDX Small Aperture 2" Downlight

### Photometrics Data

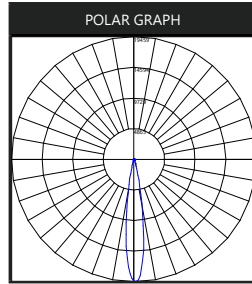
#### CUSTOMER NAME

Project Name \_\_\_\_\_

Date \_\_\_\_\_ Type \_\_\_\_\_

Catalog Number \_\_\_\_\_

#### 2" Spot Distribution- LDXB2XX020SP935XX

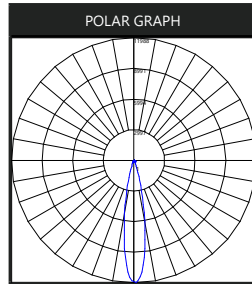


ZONAL LUMEN SUMMARY	
Zone	Lumens
0-10	1115.47
10-20	538.74
20-30	96.37
30-40	67.20
40-50	41.99
50-60	28.58
60-70	15.59
70-80	5.89
80-90	1.23
90-100	0.00
100-110	0.00
110-120	0.00
120-130	0.00
130-140	0.00
140-150	0.14
150-160	1.11
160-170	1.89
170-180	0.80

ZONAL LUMEN SUMMARY		
Zone	Lumens	% of Fixture
0-20	1654.21	86.40
0-30	1750.58	91.40
0-40	1817.78	94.90
0-60	1888.35	98.60
0-80	1909.83	99.70
0-90	1911.06	99.80
10-90	795.59	41.50
20-40	163.57	8.50
20-50	205.56	10.70
40-70	86.16	4.50
60-80	21.48	1.10
70-80	5.89	0.30
80-90	1.23	0.10
90-110	0.00	0.00
90-120	0.00	0.00
90-130	0.00	0.00
90-150	0.14	0.00
90-180	3.94	0.20
110-180	3.94	0.20
0-180	1915.00	100.00

Total Luminaire Efficiency = N.A.%

#### 2" Narrow Flood Distribution- LDXB2XX020NF935XX



ZONAL LUMEN SUMMARY	
Zone	Lumens
0-10	800.00
10-20	668.83
20-30	158.18
30-40	79.80
40-50	53.10
50-60	33.24
60-70	16.31
70-80	3.35
80-90	0.32
90-100	0.17
100-110	0.17
110-120	0.16
120-130	0.16
130-140	0.18
140-150	0.36
150-160	1.09
160-170	1.55
170-180	0.65

ZONAL LUMEN SUMMARY		
Zone	Lumens	% of Fixture
0-20	1468.83	80.80
0-30	1627.00	89.50
0-40	1706.8	93.90
0-60	1793.14	98.70
0-80	1812.79	99.70
0-90	1813.12	99.80
10-90	1013.12	55.70
20-40	237.98	13.10
20-50	291.07	16.00
40-70	102.65	5.60
60-80	19.65	1.10
70-80	3.35	0.20
80-90	0.32	0.00
90-110	0.34	0.00
90-120	0.50	0.00
90-130	0.66	0.00
90-150	1.20	0.10
90-180	4.49	0.20
110-180	4.15	0.20
0-180	1817.61	100.00

Total Luminaire Efficiency = N.A.%

# Lumination® LDX Series

LDX Small Aperture 2" Downlight

Photometrics Data

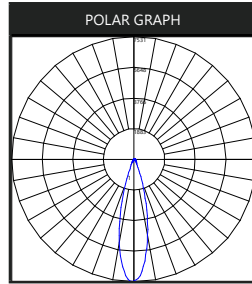
CUSTOMER NAME \_\_\_\_\_

Project Name \_\_\_\_\_

Date \_\_\_\_\_ Type \_\_\_\_\_

Catalog Number \_\_\_\_\_

## 2" Flood Distribution- LDXB2XX020FL935XX

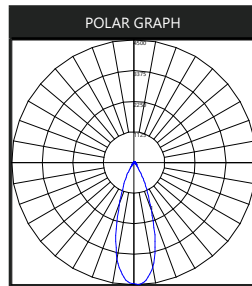


ZONAL LUMEN SUMMARY	
Zone	Lumens
0-10	584.96
10-20	785.16
20-30	272.35
30-40	122.54
40-50	72.97
50-60	44.56
60-70	21.52
70-80	5.77
80-90	1.03
90-100	0.00
100-110	0.00
110-120	0.00
120-130	0.00
130-140	0.02
140-150	0.42
150-160	1.26
160-170	1.68
170-180	0.74

ZONAL LUMEN SUMMARY		
Zone	Lumens	% of Fixture
0-20	1370.13	71.50
0-30	1642.48	85.80
0-40	1765.02	92.20
0-60	1882.56	98.30
0-80	1909.84	99.70
0-90	1910.88	99.80
10-90	1325.91	69.20
20-40	394.90	20.60
20-50	467.87	24.40
40-70	139.05	7.30
60-80	27.29	1.40
70-80	5.77	0.30
80-90	1.03	0.10
90-110	0.00	0.00
90-120	0.00	0.00
90-130	0.00	0.00
90-150	0.44	0.00
90-180	4.12	0.20
110-180	4.12	0.20
0-180	1915.00	100.00

Total Luminaire Efficiency = N.A.%

## 2" Wide Flood Distribution- LDXB2XX020WF935XX



ZONAL LUMEN SUMMARY	
Zone	Lumens
0-10	392.69
10-20	731.32
20-30	452.24
30-40	180.78
40-50	80.36
50-60	46.05
60-70	21.23
70-80	5.49
80-90	0.95
90-100	0.00
100-110	0.00
110-120	0.00
120-130	0.00
130-140	0.15
140-150	0.55
150-160	1.24
160-170	1.38
170-180	0.60

ZONAL LUMEN SUMMARY		
Zone	Lumens	% of Fixture
0-20	1124.00	58.70
0-30	1576.24	82.30
0-40	1757.02	91.70
0-60	1883.43	98.40
0-80	1910.15	99.70
0-90	1911.1	99.80
10-90	1518.42	79.30
20-40	633.01	33.10
20-50	713.38	37.30
40-70	147.65	7.70
60-80	26.72	1.40
70-80	5.49	0.30
80-90	0.95	0.00
90-110	0.00	0.00
90-120	0.00	0.00
90-130	0.00	0.00
90-150	0.70	0.00
90-180	3.91	0.20
110-180	3.91	0.20
0-180	1915.02	100.00

Total Luminaire Efficiency = N.A.%

# Lumination® LDX Series

LDX Small Aperture 2" Downlight  
Accessories

## CUSTOMER NAME

Project Name \_\_\_\_\_

Date \_\_\_\_\_ Type \_\_\_\_\_

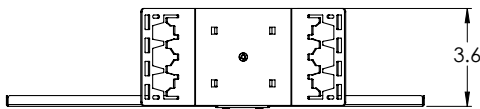
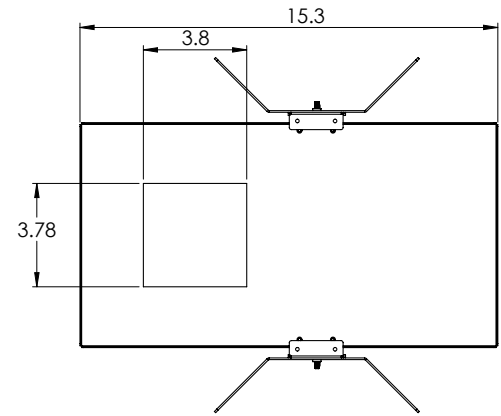
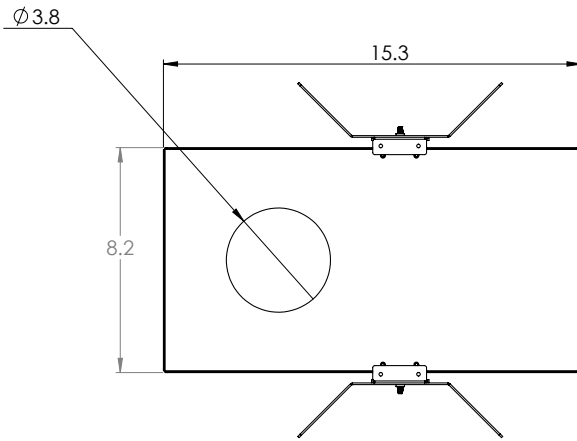
Catalog Number \_\_\_\_\_

## ACCESSORIES

PRODUCT DESCRIPTION	MATERIAL DESCRIPTION	MATERIAL	COMPATIBLE PRODUCTS
C-CHANNEL – 25 1/4", HANGER BAR (BOXED PAIR)	BH3	93110306	LDX, FRAME KITS
347V KIT	LRX347V277	93036250	347V TRANSFORMER QUICK CONNECT KIT

## FRAME KIT

PRODUCT DESCRIPTION	MATERIAL DESCRIPTION	MATERIAL	NOTES
2" NEW CONSTRUCTION SQUARE FRAME KIT	LDXBSA-KIT-ROUGHING-PLATE-SQUARE	93142594	RECOMMENDED FOR NEW CONSTRUCTION APPLICATIONS; INCLUDES ADJUSTABLE HANGER BARS (BOXED PAIR)
2" NEW CONSTRUCTION ROUND FRAME KIT	LDXBSA-KIT-ROUGHING-PLATE-ROUND	93142595	RECOMMENDED FOR NEW CONSTRUCTION APPLICATIONS; INCLUDES ADJUSTABLE HANGER BARS (BOXED PAIR)



CONFIGURATION	HOLE SIZE (INCHES)	DIMENSIONS (INCHES)
ROUND	3.8	15.3 x 8.2 x 3.6
SQUARE	3.8 x 3.8	

# Lumination® LDX Series

LDX Small Aperture 2" Downlight  
Controls and Sensors

## AGENT/DISTRIBUTOR NAME-LOGO

Project Name \_\_\_\_\_

Date \_\_\_\_\_ Type \_\_\_\_\_

Catalog Number \_\_\_\_\_

## DAINTREE CONTROLS

### Daintree® Wireless Controls:

There is no one size fits all for wireless controls. Some networks want simple solutions that reduce energy consumption and meet code compliance while others are more ambitious, looking to capitalize on the LED and controls savings to fund a scalable, enterprise-grade, internet of things solution. The advantage of the Daintree® Wireless platform is its ability to integrate into indoor, outdoor and high bay environments. The Daintree® Wireless Controls provide the infrastructure to future proof your buildings, easily upgrade to Networked solutions and provide the ability to integrate into IoT solutions that are right for your business.

- **Daintree® One:** Standalone Wireless Controls
- **Daintree® EZ Connect:** Room-Based Wireless Lighting Controls
- **Daintree® Networked:** Networked Lighting Controls for Smart Building & IoT Enablement

Daintree® Wireless Controls are already integrated in your favorite Current LED fixtures. Integrating the controls into the fixture cuts labor costs considerably since the sensors are already embedded in the lighting fixtures. There's no need to get above the ceiling plenum and install additional devices. Visit our website <https://products.gecurrent.com> for a complete list of LED Fixtures.

**The LDX Series Architectural Luminaire will offer Daintree® Networked integral controls (Controls options TQ & TS). Integral sensors and IOT devices are not offered at this time.**

## LUTRON PEQ HI-LUME 0.1% ECOSYSTEM®

### 0.1% Dimming for virtually any LED fixture

#### Compatibility

- Available in two form factors
- Supports a wide range of current and voltage levels (up to 53 watts)

#### Unmatched performance

- Dims continuously from a 100% to 0.1% lighting level
- Precision microprocessor control and integral thermal management

## For Product or Technical Questions:

Email: [lightingproinfo@gecurrent.com](mailto:lightingproinfo@gecurrent.com)

Phone: +1 888 694 3533, option 2