

ECLP Series

LED Canopy Light

The Evolve® Canopy LED Petro (ECLP) offers energy efficiency and quality of light in a sleek low-profile look and style that is suitable for wet location, ideal for Gas Station Applications.



Construction

Housing:	Aluminum die cast enclosure. Integral heat sink for maximum heat transfer
Lens:	Impact resistant tempered glass
Paint:	Corrosion resistant polyester powder paint, minimum 2.0 mil thickness Standard = Black, Dark Bronze, Gray, White (RAL & custom colors available) Optional = Coastal Finish
Weight:	12.6 lbs (5.67 kg)

Optical System

Lumens:	3,700 to 13,400
Distribution:	Symmetric Medium
Efficacy:	119 - 141 LPW
CCT:	3000K, 4000K, 5000K
CRI:	≥70

Electrical

Input Voltage:	120-277V & 347-480V (C5&D5 only)
Input Frequency:	50/60Hz
Power Factor:	≥ 90% at rated watts
Total Harmonic Distortion:	≤ 20% at rated watts

Controls

Dimming:	Standard - 0-10V
Sensors:	Photo Electric Sensors (PE) available, Daintree Compatible

Lumen Maintenance

Projected Lxx per IES TM-21-11 at

LUMEN CODES	LXX(10K) @ HOURS		
	25,000 HR	50,000 HR	60,000 T5
T5	L96	L92	L91
A5	L95	L93	L92
B5	L95	L93	L92
C5	L95	L93	L92
D5	L92	L88	L86

Note: Projected LXX based on LM80 (= 10,000 hour testing). Accepted industry tolerances apply to initial luminous flux and lumen maintenance measurements.

Luminaire Ambient Temperature Factor

AMBIENT TEMP (°C)	INITIAL FLUX FACTOR	AMBIENT TEMP (°C)	INITIAL FLUX FACTOR
10	1.02	30	0.99
20	1.01	40	0.96
25	1.00	50	0.97

Ratings

Operating Temperature:	-40°C to 50°C
Vibration*:	1.5G per Per ANSI C136.31-2010
LM-79:	Testing in accordance with IESNA Standards

Warranty

5 Year (Standard)



Not all product variations listed on this page are DLC qualified. Visit www.designlights.org/search to confirm qualifications.

Ordering Information

ECLP 01 SM 7 SM

--- -- - -- -- - -- - -- - -- - -- - -- - -- - -- - -- - -- - -- - -- - -- -

PROD. ID	GEN	VOLTAGE	OPTIC CODE	DISTRIBUTION ⁶	CRI	CCT	DIMMING	CONTROLS	MOUNTING	COLOR	OPTIONS
E = Evolve	01	0 = 120-277V	T5 = 3700 lm	SM = Symmetric Medium	7 = 70	30 = 3000K	1 = None Only Controls '1' available	1 = None	SM = Surface Mount	BLCK = Black	Y = Coastal Finish ⁵
C = Canopy		H = 347-480V ²	A5 = 5400 lm			40 = 4000K	A = Wired to Control	A = Motion Sensor IR Program ^{3,4}		DKBZ = Dark Bronze	
LP = Petro		D = 347V ¹	B5 = 7100 lm			50 = 5000K	D = External Wired 0-10V/Leads Only Controls '1' available	B = Daintree Motion Sensor ^{3,4}		GRAY = Gray	
			C5 = 10000 lm							WHITE = White	
			D5 = 13400 lm								

¹ Optic code A5 & B5 only 347V available
² Only available in C5 or D5 Optics
³ Not Available for optical code C5 or D5 with 347-480V
⁴ Requires Dimming Option A
⁵ Recommended for installations within 750 feet from coast. Lead time varies, check with factory.

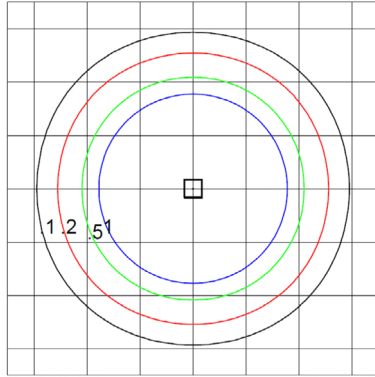
OPTIC CODE	DIST CODE	TYPICAL INITIAL LUMENS			TYPICAL SYSTEM WATTAGE		3000K		IES FILE NUMBER 3000K		3000K	
		3000K	4000K	5000K	120-277V	347-480V	120-277V	347-480V	120-277V	347-480V	120-277V	347-480V
T5	SM	3600	3700	3700	29	N/A	ECLP01_T5SM730_120-277V		ECLP01_T5SM740_120-277V		ECLP01_T5SM750_120-277V	
A5	SM	5200	5400	5400	39	43	ECLP01_A5SM730_120-277V	ECLP01_A5SM730_347V	ECLP01_A5SM740_120-277V	ECLP01_A5SM740_347V	ECLP01_A5SM750_120-277V	ECLP01_A5SM750_347V
B5	SM	6900	7100	7100	54	58	ECLP01_B5SM730_120-277V	ECLP01_B5SM730_347V	ECLP01_B5SM740_120-277V	ECLP01_B5SM740_347V	ECLP01_B5SM750_120-277V	ECLP01_B5SM750_347V
C5	SM	9700	1000	10000	71	71	ECLP01_C5SM730_		ECLP01_C5SM740_		ECLP01_C5SM750_	
D5	SM	13000	13400	13400	101	101	ECLP01_D5SM730_ ECLP01_		ECLP01_D5SM740_		ECLP01_D5SM750_	

For additional information on ECLP files, please click one of the following links:

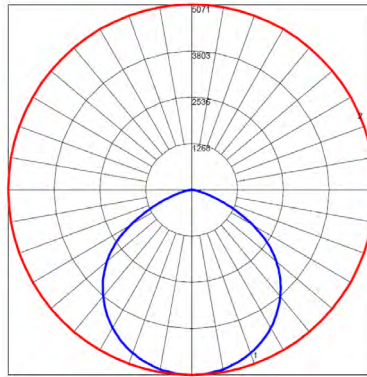


ECLP
Symmetric Medium

13,400 Lumens
5000K
ECLP01_D5SM750_



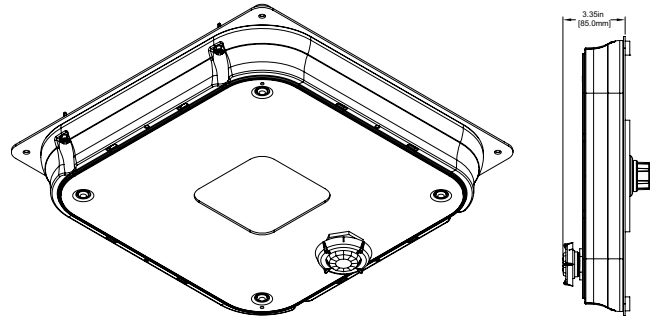
Grid Distance in Units of Mounting Height at 15'
Initial Footcandle Values at Grade



— Vertical plane through horizontal angle of Max. Cd at 90°
— Horizontal cone through vertical angle of Max. Cd at 1°

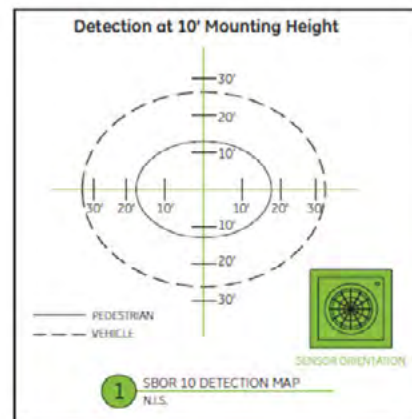
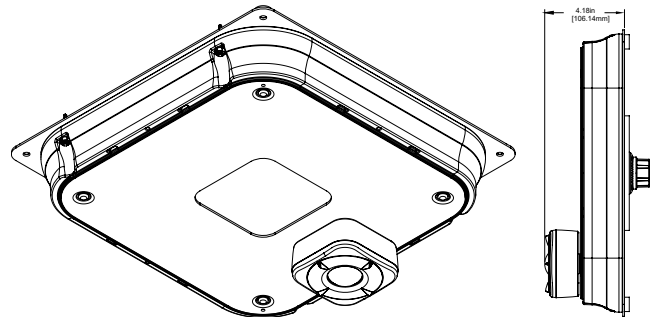
A MOTION SENSING OPTION-WATTSTOPPER: SENSOR FSP-211, LENS FSP-L2

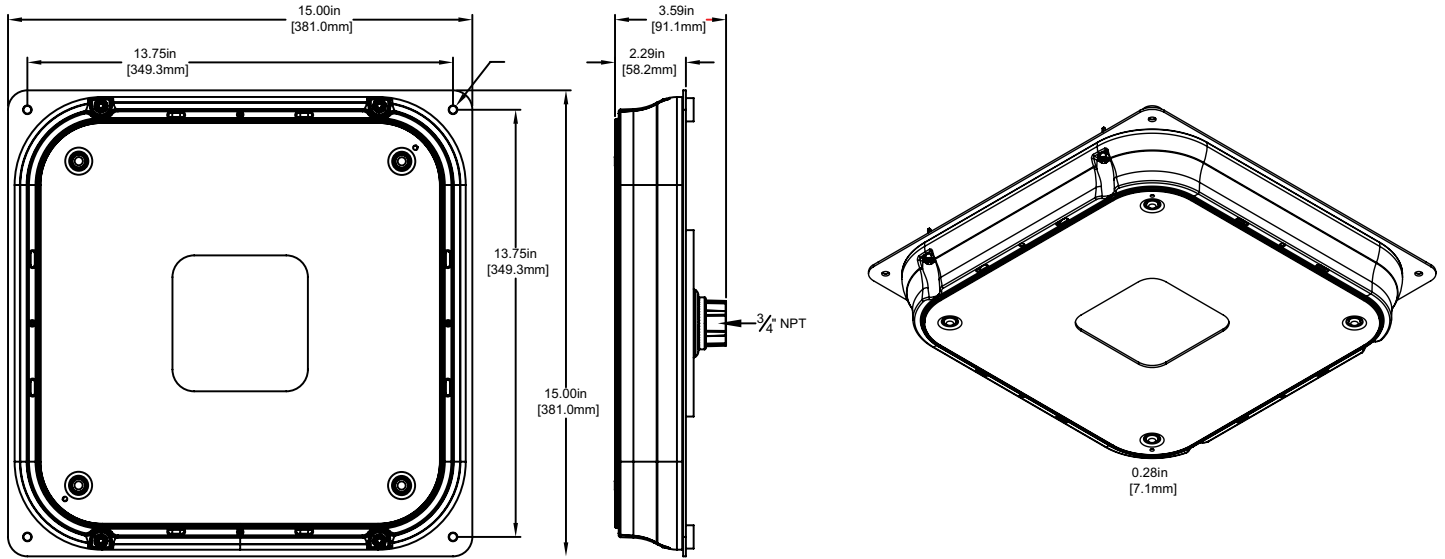
Recommnd	
Mounting Height:	8-25'
Coverage Radius:	15-20' (4.6-6.1 m)
Lateral Coverage:	360°
Default Settings:	
Output:	Occupied - 100%/Unoccupied - 50%
PE Sensor:	Enabled
Ramp/Fade:	5 Minutes/5 Minutes
Adds:	< 1W to fixture power rating
Field:	Requires Daintree Enterprise and wide area control (WAC)



B MOTION SENSING OPTION - DAINTREE: WHS100-BM

Recommnd	
Mounting Height:	8-25'
Coverage Radius:	15-20' (4.6-6.1 m)
Lateral Coverage:	360°
Default Settings:	
Output:	Occupied - 100%/Unoccupied - 50%
PE Sensor:	None
Ramp/Fade:	5 Minutes/5 Minutes
Adds:	< 1W to fixture power rating
Field:	Requires Daintree Enterprise and wide area control (WAC)





Beauty Plates

PRODUCT ID	SERIES	DETAIL	COLOR
ECL	E = Escutcheon Plate	1 = 24" x 24" ECLS	BLCK = Black
		2 = 32" x 32" ECLS	DKBZ = Dark Bronze