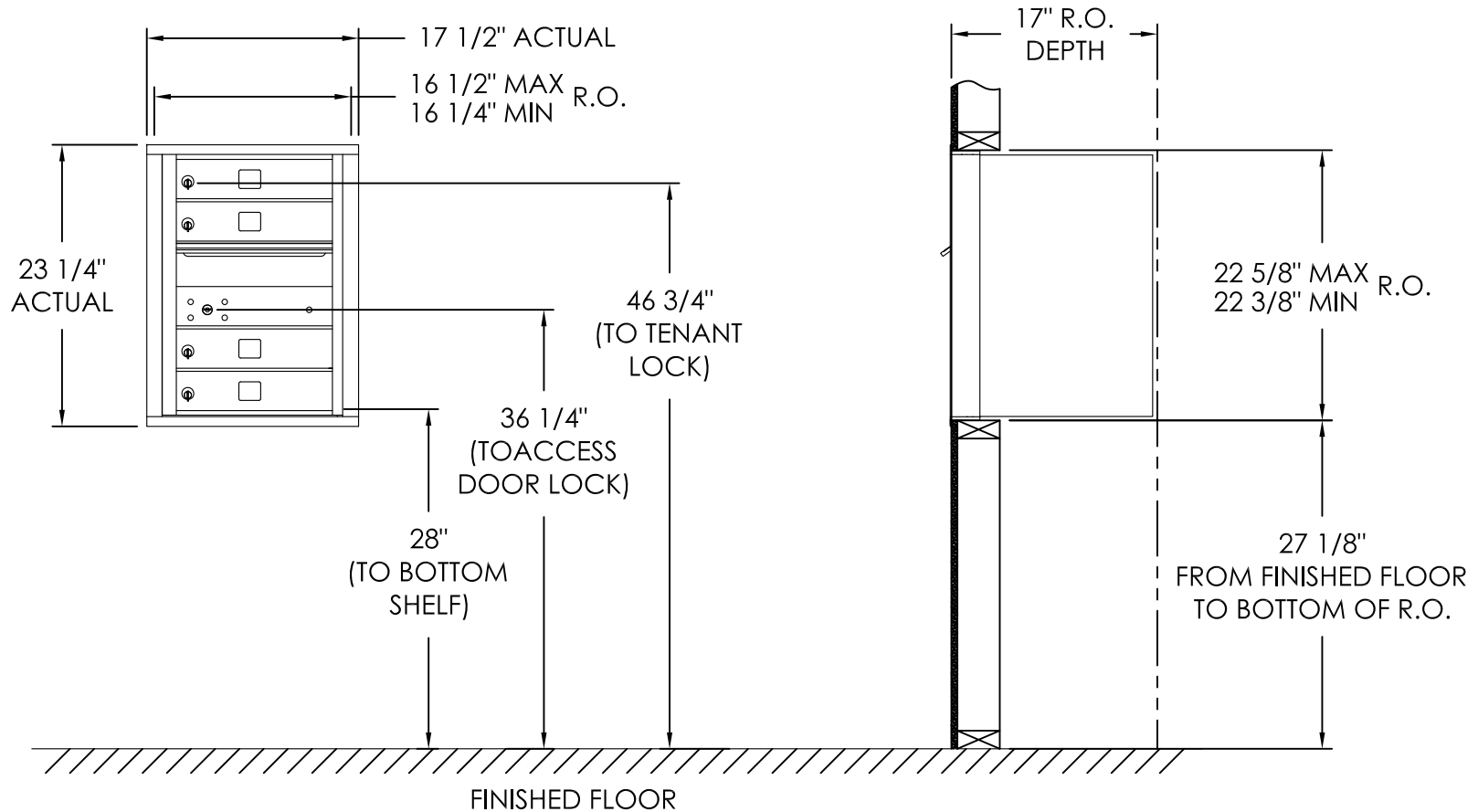


versatile™ 4C Mailbox, 4C06S-04



COMPARTMENT CHART

DESCRIPTION	COMPARTMENT	COMPARTMENT SIZE	QTY.
MAILBOX	MB1	3' H x 12' W x 15' D	4
OUTGOING MAIL	OM2	6-1/2' H x 12' W x 15' D	1

Notes:

1. This module meets the USPS STD-4C requirements for installation defined below when the mailbox is installed per the dimensions provided on this drawing.
 - a. At least one customer compartment shall be positioned less than 48" above finished floor (AFF).
 - b. No parcel locker (interior bottom shelf) shall be positioned less than 15" AFF.
 - c. No patron (tenant) lock shall be positioned more than 67" AFF.
 - d. No customer compartment (interior bottom shelf) shall be positioned less than 28" AFF.
 - e. The USPS Arrow lock shall be positioned 36"- 48" AFF.
2. This 4C mailbox can also be used for private applications.
3. The rough opening width for multi-unit 4C installations is provided using the Florence configurator: www.florencemailboxes.com/configurator.

PRODUCT SERIES: VERSATILE™ 4C FRONT LOAD MAILBOX

FLORENCE
CORPORATION

5935 Corporate Drive • Manhattan, KS 66503
800.275.1747 • www.florencemailboxes.com

MODEL 4C06S-04	REV C
SCALE NONE	LAST REV DATE 06/28/19
DRAWING NUMBER 4C06S-04CS	DRAWN BY RAK