

# RIPLAY NIGHTSTAND

Thank you for choosing this quality product. Be sure to check all packaging materials carefully for small parts that may have loosened inside the carton during shipment and place on a non-abrasive surface.



**IMPORTANT**

These parts can be cumbersome and heavy to some people, therefore, the assistance of two or more people are recommended in order to prevent personal injury and ensure the furniture is not damaged during the assembly Process.

## INSTRUCTIONS

1. For packing purpose, the drawer handles were removed and put in hardware bag. Attach the handles (1) to the drawer by using the Phillips head bolts (2) provided. Repeat this steps to attach handle for other drawer. Refer to FIGURE 01.

## HARDWARELIST

NO	DESCRIPTION	QTY
1	 HANDLE	2
2	 PHILLIPSH HEAD BOLT	4

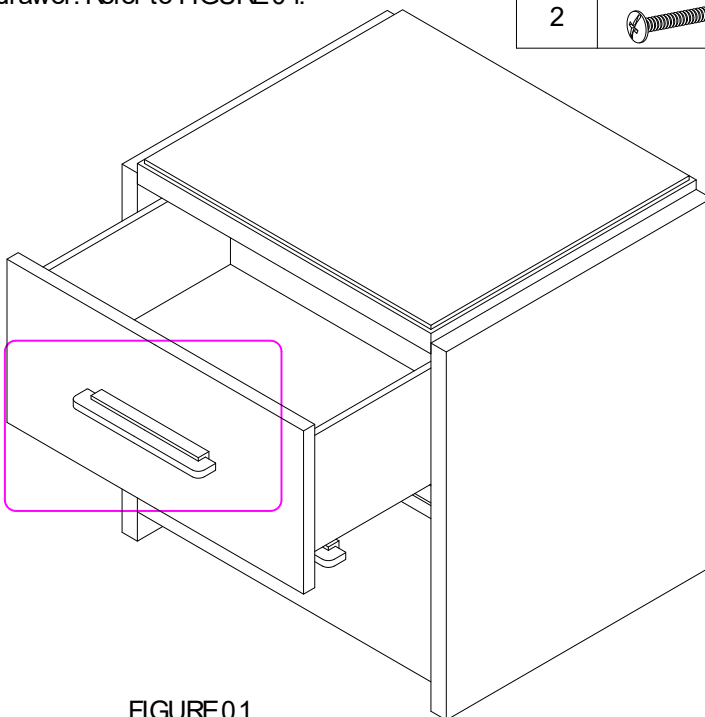
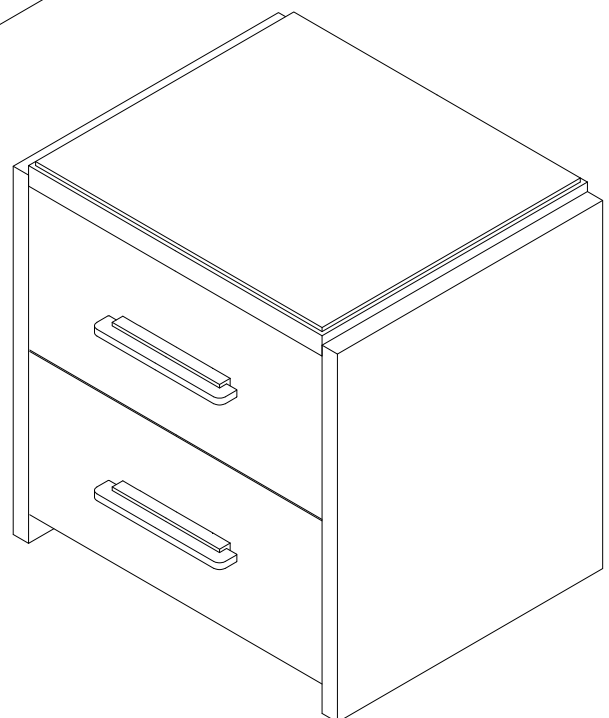
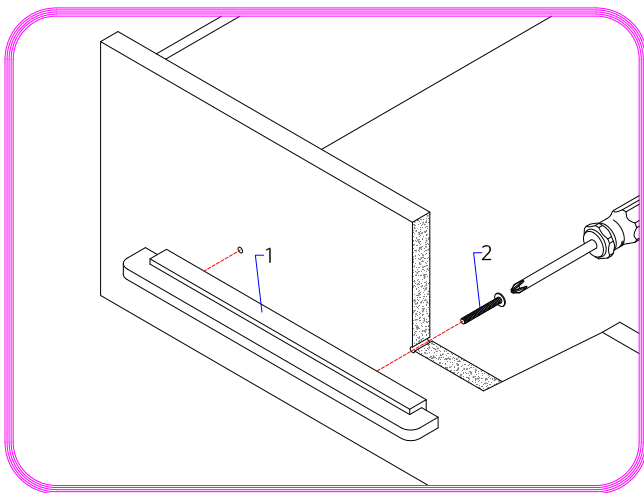


FIGURE 01



## CARE INSTRUCTIONS:

- Dust often using a clean, soft, dry lint-free cloth.
- Blot spills immediately and wipe with a clean,damp, cloth.
- We do not recommend the use of chemical cleansers, abrasives, or furniture polish on our lacquered finish.