

SONDER

LIVING

DINING ROOM 02 DINING TABLE

Thank you for choosing this quality product. Be sure to check all packaging materials carefully for small parts that may have become loose during shipment and place all parts on a non-abrasive surface.

IMPORTANT : These parts can be cumbersome and heavy to some people, therefore the assistance of two or more people is recommended in order to prevent personal injury and ensure the furniture is not damaged during the assembly Process.

PART LIST

- A [1] TABLETOP
- B [1] MOUNTING PLATE
- C [4] TABLELEGS
- D [1] TABLEBASE

HARDWARE LIST

NO	DESCRIPTION	QTY
1	ALLEN HEAD BOLT M8X30MM	16
2	ALLEN HEAD BOLT M8X40MM	8
3	LOCK WASHER	24
4	PLAIN WASHER	24
5	ALLEN WRENCH	1

INSTRUCTIONS

1. Turn the legs (C) upright on desired location. Bring the Mounting plate (B) and set it on the top of the table legs. Once the mounting plate is set, insert Allen bolts (2) together with Lock washers (3) and Flat washers (4) into the holes on the mounting plate as in FIGURE 1. DO NOT OVERTIGHTEN.
2. After assembly, gently turn the table leg with mounting plate upside down on a flat surface. Bring the Base (D) and attach to the bottom of the table legs by using Allen bolts (1), Lock washers (3) and Flat washers (4). DO NOT OVERTIGHTEN. See FIGURE 2.

FIGURE 1

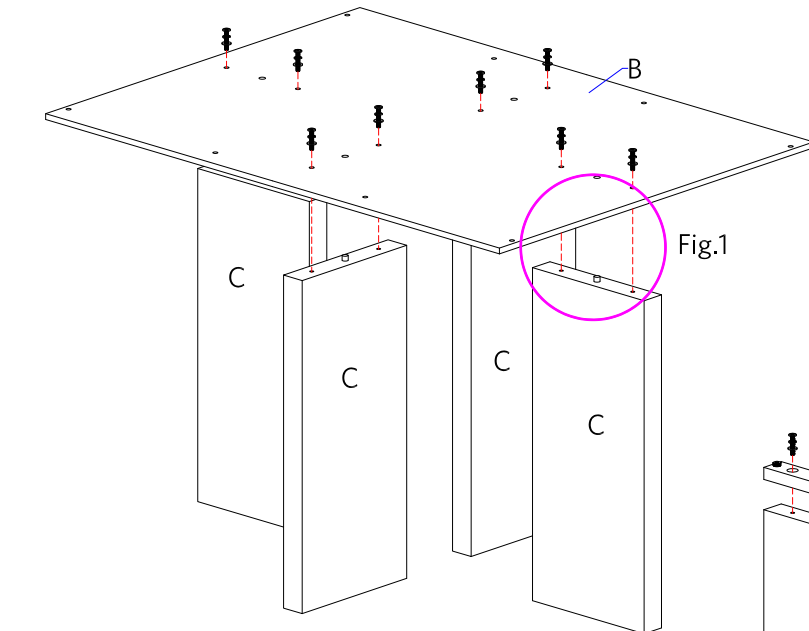
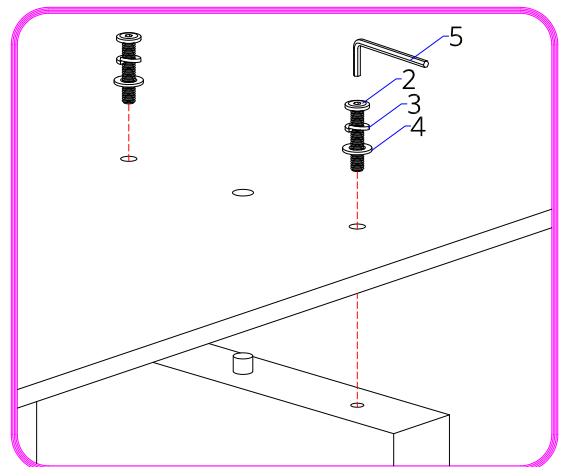


Fig.1

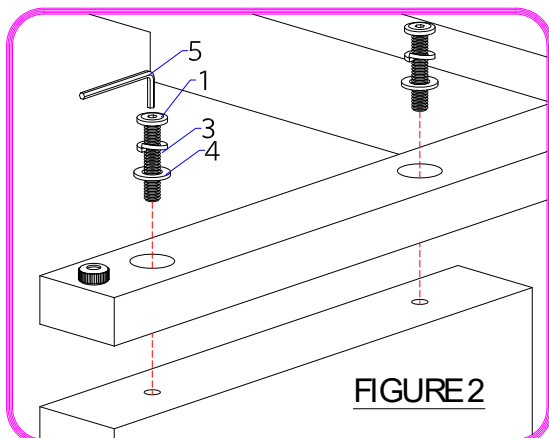


FIGURE 2

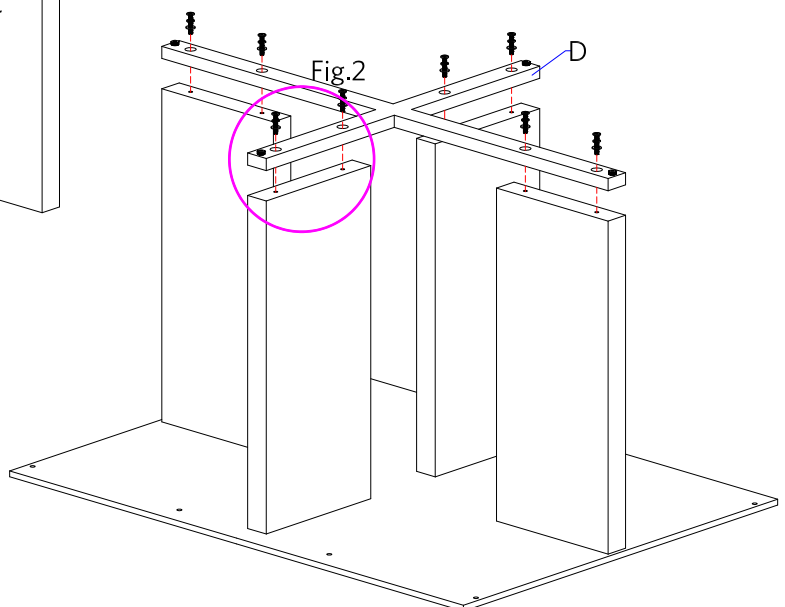


Fig.2

3. Turn the base assembled upright on a flat surface.
4. Bring the table top (A) and set it on the bases assembled. Adjust the bases to align the fixed nuts at the bottom of the top to the holes on mounting plate of the bases. Insert Allen bolts (2), lock washers (3) and flat washers (4) into each fixed nuts then tighten them by using Allen key (5). DO NOT OVERTIGHTEN. See FIGURE 3.
5. Check the table leveling, and adjust the levelers at the bottom of the base if necessary. Refer to FIGURE 4.
6. Assembly is complete.

FIGURE 3

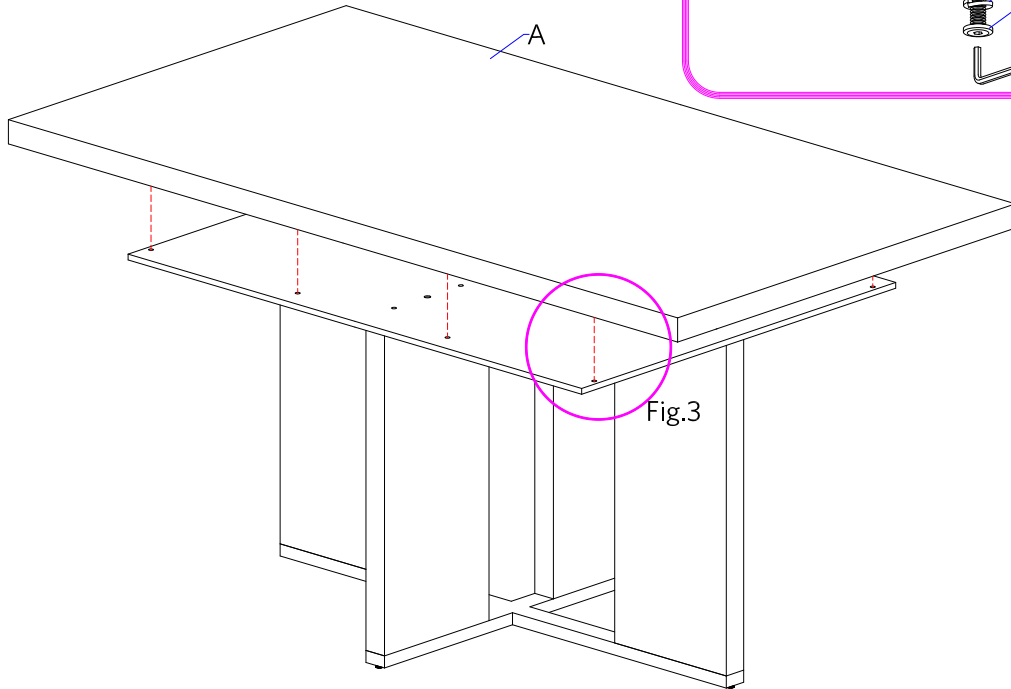
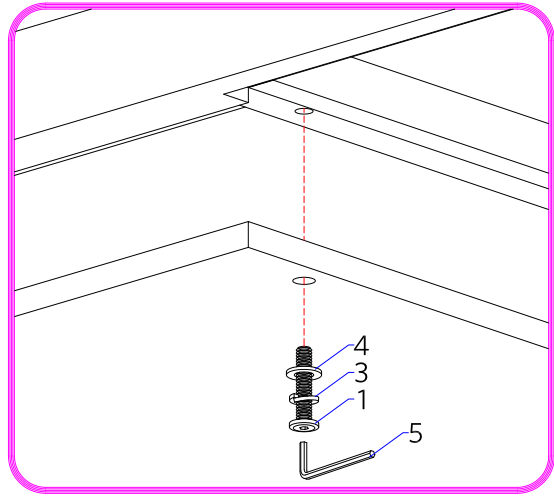
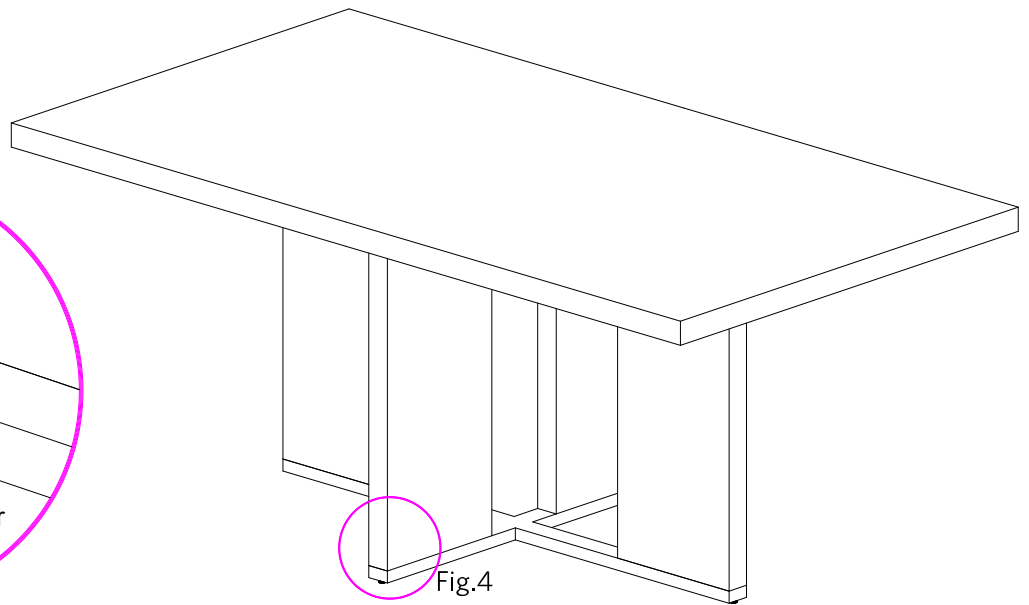
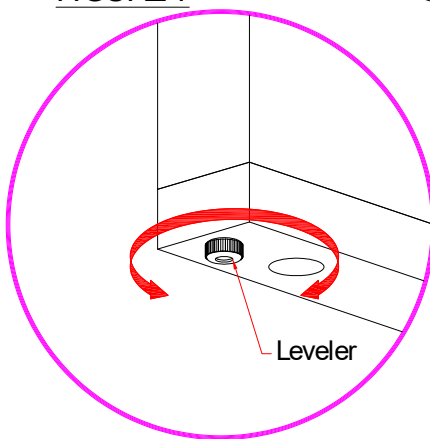


FIGURE 4



CARE INSTRUCTIONS

1. Dust often using a clean, soft, dry and lint-free cloth.
2. Blot spills immediately and wipe with a clean, damp, cloth.
3. We do not recommend the use of chemical cleansers, abrasives or furniture polish on our lacquered finish.