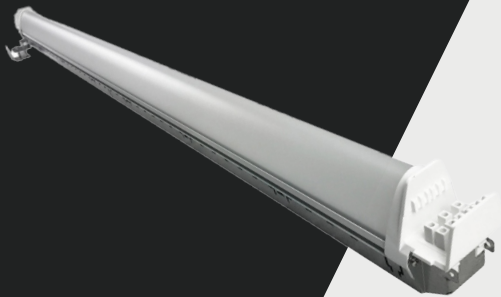


# Lumination® LUR2 Series

## LED Suspended Retrofit Kit



CUSTOMER NAME \_\_\_\_\_

Project Name \_\_\_\_\_

Date \_\_\_\_\_ Type \_\_\_\_\_

Catalog Number \_\_\_\_\_

**Lumination®** LUR2 Series retrofit kits are designed to offer lighting designers a high performance retrofit solution with excellent efficacy, reliability and quality of light matched with the Daintree Enterprise wireless dimming solution for fully independent control of all luminaire. Equipped with integrated electrical connections for continuous rows the LUR2 series offers unparalleled speed of installation.

### CONSTRUCTION

<b>Housing:</b>	Extruded aluminum and steel
<b>Lens:</b>	Premium optical grade acrylic
<b>Paint:</b>	White powder paint, White connectors & endcaps
<b>Weight:</b>	<15lbs (8ft length)

### OPTICAL SYSTEM

<b>Lumens:</b>	10,400lm
<b>Distribution</b>	Lambertian
<b>Efficacy</b>	142 LPW
<b>Wattage:</b>	73W
<b>CCT:</b>	4000K
<b>CRI (Min):</b>	85
<b>R9 (Min):</b>	25

### ELECTRICAL

<b>Input Voltage:</b>	120V-277V
<b>Input Frequency:</b>	50/60Hz
<b>Power Factor (PF)*:</b>	> 90%
<b>Total Harmonic Distortion (THD)*:</b>	<20
<b>Surge Protection:</b>	ANSI C82.77 Compliant
<b>Transient Protection:</b>	100 kHz ring wave, 2.5kV level,
<b>Electronic Vibration Testing:</b>	Multi-axis, Vibration Profile: 2-2000 Hz, 0.5Gs on electronics

\* PF and THD may vary with options

### CONTROLS

<b>Dimming:</b>	0-10V 10%
<b>Controls:</b>	Daintree Wireless® Compatible

### AMBIENT TEMPERATURE

Product ID	Operating Temperature	Storage Temperature
LUR2	-10°C TO +30° C	-40°C TO +70°C

### LUMEN MAINTENANCE

Projected L70 per IES TM-21 at max 35°C

<b>LXX(10K) @ Hours</b>
<b>60,000 HR</b>
<b>L70</b>

### MOUNTING

- **Mounting:** Multiple MAIN bracket designs allow for retrofit into a multitude of existing suspended fixtures.

MAIN bracket compatibility: LSI, Lithonia, Genlyte and Day Brite (WMT stores only)

### DESIGN LIFE & WARRANTY

- **Reliability Testing:** Components and/or systems evaluation at extreme conditions and monitored during production.
- Damp Location Rated
- IP40 Rated
- **Current's Limited 5-year Warranty**  
Please refer to IND599 for more information



Please refer to the DLC QPL website for the latest and most complete information.  
<http://www.designlights.org/QPL>

# Lumination® LUR2 Series

LED Suspended Retrofit Kit

Catalog Logic and Dimensions

## CUSTOMER NAME

Project Name \_\_\_\_\_

Date \_\_\_\_\_ Type \_\_\_\_\_

Catalog Number \_\_\_\_\_

## 1. FIXTURE

**LUR2**    **D8**    **0**    **A0**    **V1**    **840**    **VQ**    **CS**    **WHITE**    \_\_\_\_\_

FAMILY	FIXTURE TYPE	VOLTAGE	LUMEN OUTPUT	DISTRIBUTION	CRI/CCT	CONTROL	MOUNTING	FINISH	BRACKETS
LUR2	D8 = 2x4ft 1x4ft Master 1x4ft Satellite	0 = 120- 277V	A0 = 10400	V1 = Very Wide	840 = 85CRI, 4000K	VQ = 0-10V	CS = Suspended	WHITE	MAIN = See Note Below

## 2. STARTER KITS

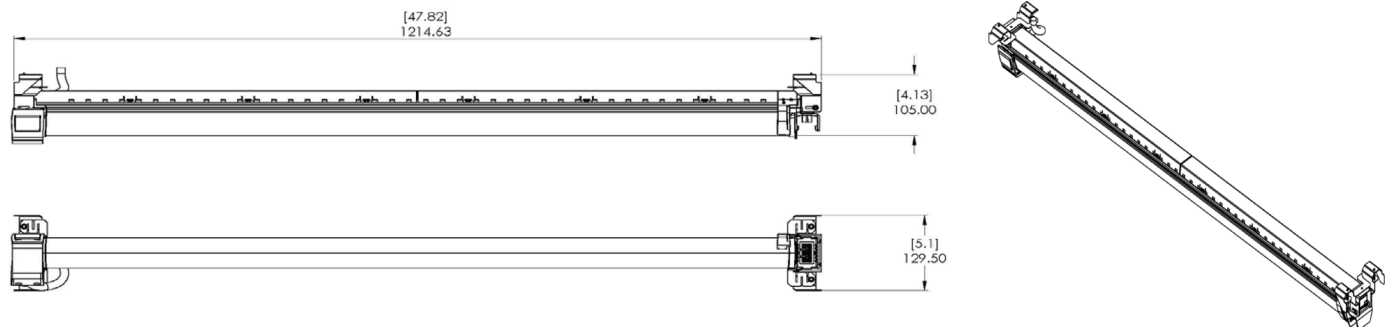
Required - 1 per row / electrical drop

SKU	DESCRIPTION
AK-LUR2-SK-XX-10-MAIN	10 sets/kit Main bracket fixture
AK-LUR2-SK-XX-10-3IN1	10 sets/kit 3IN1 bracket fixture
AK-LUR2-SK-XX-10-SIN	10 sets/kit SIN bracket fixture

## BRACKETS:

MAIN bracket compatibility: LSI, Lithonia, Genlyte and Day Brite (WMT stores only)

## DIMENSIONS



**For Product or Technical Questions:**

Email: [lightingproinfo@gecurrent.com](mailto:lightingproinfo@gecurrent.com)

Phone: +1 888 694 3533, option 2