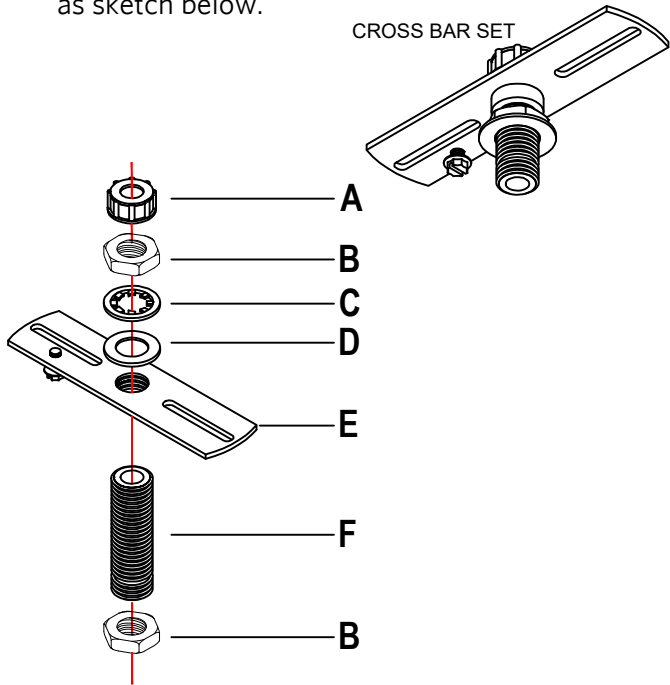


MARILYN CHANDELIER

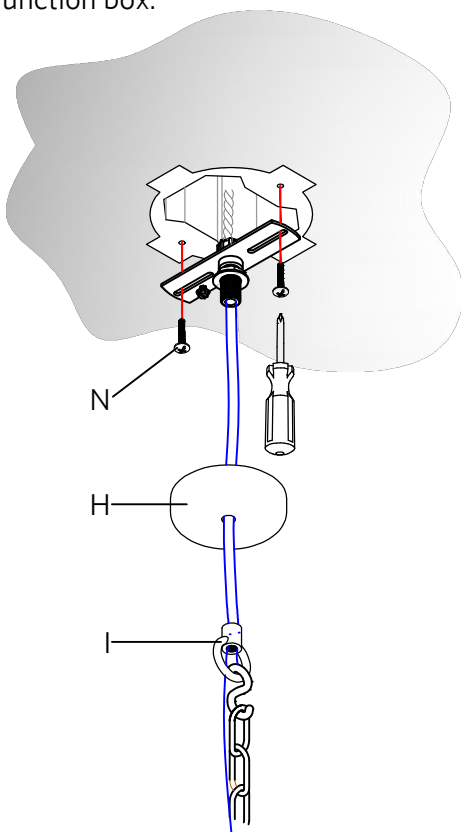
STEP #1

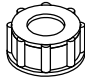



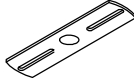


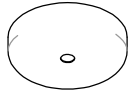

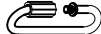
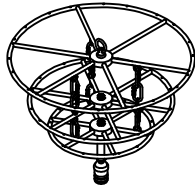

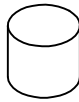
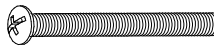
- Open the parts bag and place all on a flat surface.
- Remove the chandelier body and lay on a flat surface.
- Set-up the cross bar according the set of hardware as sketch below.



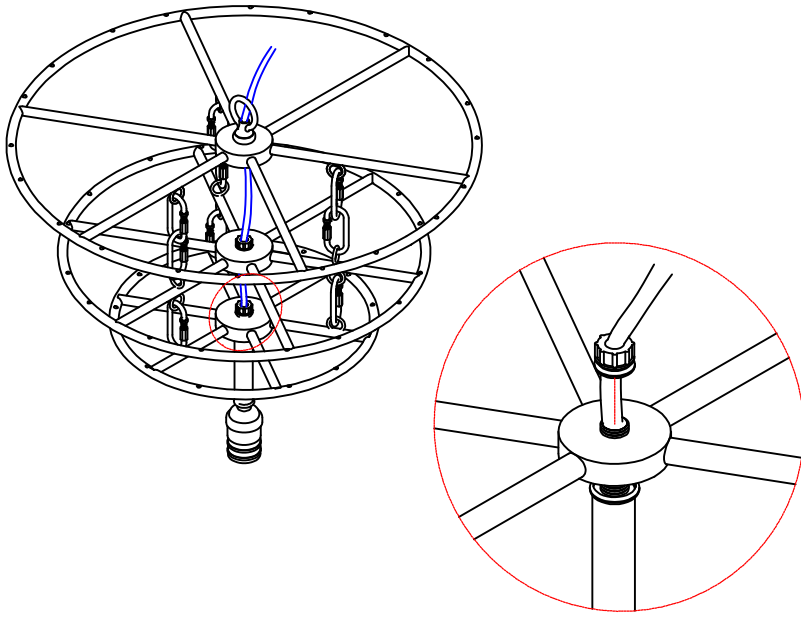
STEP #2

- Insert the electrical wire into the hole of the fixture loop (I), Canopy (H) and into the set of cross bar.
- Set the chandelier near the ceiling surface and Connect the wiring fixture into the junction box. Once the wiring is set then fasten the cross bar into the junction box.



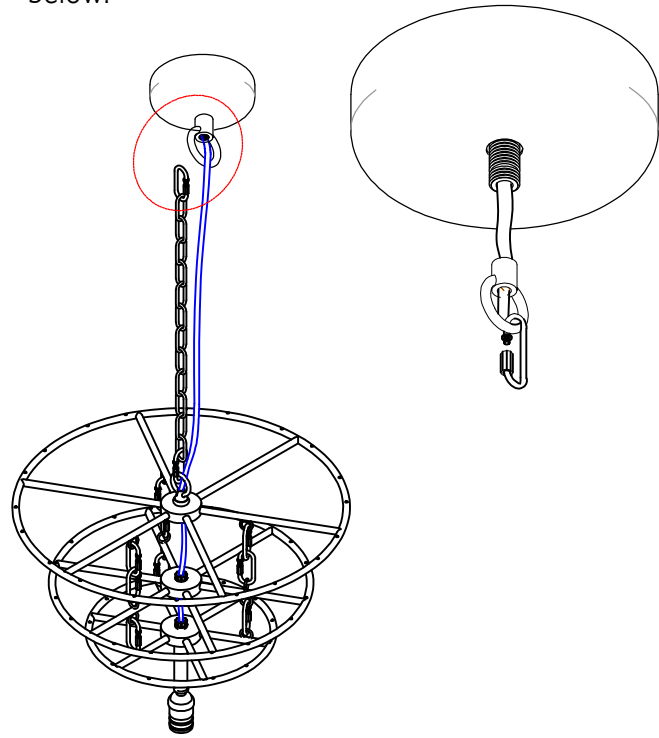
A		BLACK PLASTIC CORD PROTECTOR	1 PC
B		HEXAGONAL NUT	2 PCS
C		SPRING WASHER	1 PC
D		PLAIN WASHER	1 PC
E		CROSS BAR	1 PC
F		LONGER ALL-THREAD	1 PC
G		CHAIN	1 PC
H		CANOPY	1 PC
I		FIXTURE LOOP	1 PC
J		QUICK LINK	2 PCS
K		CHANDELIER	1 PC
L		SHADE PLATE	24 PCS
M		NUT	48 PCS
N		PHILLIPS HEAD BOLT	2 PCS

STEP #3



STEP #4

- Move the canopy against the ceiling surface and screw the fixture loop onto the all thread as shown below.



STEP #5

Attach the shade plate (L) to the cycle frame mounting nuts. See illustrator in below figure.

