

CUSTOMER DRAWING

This drawing is the property of Rev-A-Shelf (RAS) and is disclosed in confidence to the extent its subject matter is original to RAS. Any vendor receiving this drawing from RAS shall hold and use this drawing for the sole benefit of RAS and shall not disclose it to, or use or reproduce it for any third party, or perform any act adverse to the interest of RAS with respect to this drawing without the express written permission of RAS. Vendors shall not revise any physical, dimensional or performance characteristic unless authorized by Rev-A-Shelf Engineering.

REV.	DATE	BY	DESCRIPTION OF CHANGE
A	11-10-23	KRR	UPDATED MCO

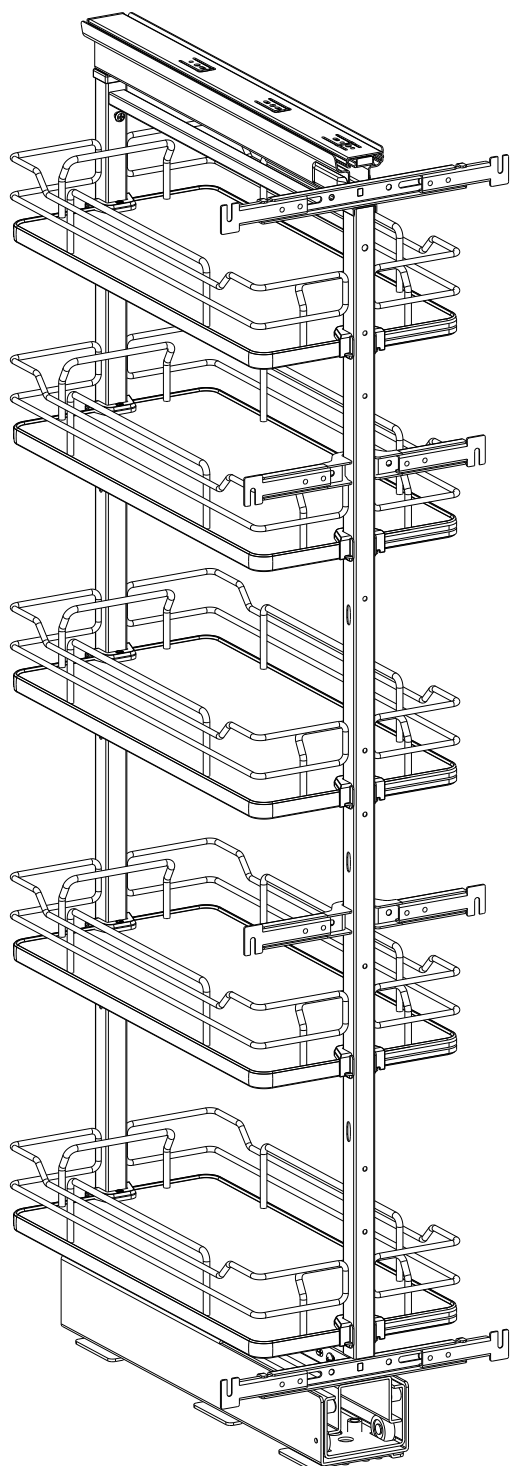
INCH [MM]	AMERICAN PROJECTION 	DRAWN	BY	DATE	REV-A-SHELF, Inc.
			KRR	4-9-18	
					SIZE B
					SC SOLID BOTTOM PULLOUT PANTRY
					DRAWING NO. 5358-10-XX
					SCALE 0.125
					PART NO. 5358-10-XX
					SHEET OF 1 2

TOLERANCES  
MAT. DEC.  
(WOOD) .XX ±.03 [.8mm]  
(OTHER) .XX ±.02 [.5mm]  
(ALL) .XXX ±.005 [.13 mm]  
FRACTIONS ±1/32 [.8 mm]

ANGLES  
±1/2°

MATERIAL

FINISH



PART DIMENSIONS		
	MIN	MAX
WIDTH	10.00 [254]	13.82 [351]
DEPTH	21.72 [551,7]	
HEIGHT	58.25 [1479]	65.75 [1670]

MIN CABINET OPENING				
	FACE FRAME	FRAMELESS	INSET FACE FRAME	INSET FRAMELESS
WIDTH	10.50 [267]	10.50 [267]	10.50 [267]	10.50 [267]
DEPTH	21.75 [552,5]	21.75 [552,5]	22.50 [571,5]	22.50 [571,5]
HEIGHT	58.25 [1479]	58.25 [1479]	58.25 [1479]	58.25 [1479]

SLIDE SPECIFICATIONS				
SLIDE TYPE	HEAVY DUTY	SLIDE EXTENSION	20.87 [530]	MAX WEIGHT RATING
SLIDE CLOSING	SOFT CLOSE	SLIDE LENGTH	21.65 [550]	
SLIDE MOUNTING	BOTTOM	SLIDE FINISH	ZINC	250 LB

CUSTOMER DRAWING

This drawing is the property of Rev-A-Shelf (RAS) and is disclosed in confidence to the extent its subject matter is original to RAS. Any vendor receiving this drawing from RAS shall hold and use this drawing for the sole benefit of RAS and shall not disclose it to, or use or reproduce it for any third party, or perform any act adverse to the interest of RAS with respect to this drawing without the express written permission of RAS. Vendors shall not revise any physical, dimensional or performance characteristic unless authorized by Rev-A-Shelf Engineering.

REV.	DATE	BY	DESCRIPTION OF CHANGE
A	11-10-23	KRR	UPDATED MCO

INCH [MM]	AMERICAN PROJECTION 	DRAWN	BY	DATE	REV-A-SHELF, INC.
			KRR	4-9-18	
					SIZE
					B
					DRAWING NO.
					5358-10-XX
					SCALE
					0.125
					PART NO.
					5358-10-XX
					SHEET OF
					2 OF 2

TOLERANCES  
 MAT. DEC.  
 (WOOD) .XX ±.03 [.8mm]  
 (OTHER) .XX ±.02 [.5mm]  
 (ALL) .XXX ±.005 [.13 mm]  
 FRACTIONS ±1/32 [.8 mm]

ANGLES  
 ±1/2°

MATERIAL  
 FINISH