

# SENSORMWBT1KIT

## NLC Bluetooth Microwave Sensor Kit

### Product Description

The SENSORMWBT1KIT consists of a Microwave Sensor module, a Bluetooth Communications module, mounting bracket and wiring harness. The Bluetooth module enables Luminaire Level Lighting Control (LLLC) capabilities with integrated "sensor-ready" functionality. It is powered by 12VDC input from dimmable dim-to-off LED drivers and provides connectivity to the NICOR NLC app. The sensor module provides Microwave Occupancy detection with adjustable sensitivity inputs.

#### Construction

##### SENSOR

- Microwave occupancy sensor supports setting a delay time and bi-level dimming of sensors
- Sensitivity adjustment from 0-100%
- Color: White
- Housing material: UL 94-VO

##### Bluetooth Module

- Designed for integration into luminaires to provide luminaire level lighting control (LLLC)
- 12VDC input
- Integral Bluetooth module
- Sensor-ready attachment port
- Color: White
- Housing material: UL 94-VO

##### MOUNTING BRACKET

- Powder coated steel mounting bracket
- Includes three pieces of high-strength, double sided mounting tape
- Color: White

#### Electrical

- Input voltage: 12V DC
- Input power: 0.5W
- Output power : 0.1W
- Bluetooth Version: 5.0
- Radio frequency: 2.4GHz +/- 75MH
- Bluetooth transmission range: 200ft Max
- Detection range: 20-40ft (depending on mounting height)
- Compatible with LED 0-10V, dim-to-OFF drivers
- Highly configurable the NICOR NLC app

#### Mounting and Installation

- Mounts to fixture body behind/beneath the lens
- Mounting height range: 8-20'
- Operating temperature: -22°F~131°F (-30° C~55°C)
- Storage temperature: -22°F~185°F (-30° C~85°C)
- Sensors settings can be configured via the NICOR NLC app

#### Warranty

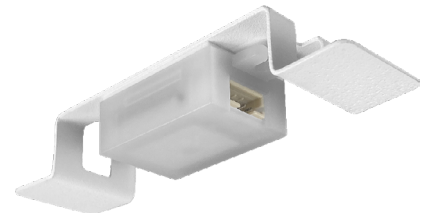
- 5-year limited system warranty standard
- Warranty does not cover product failure due to an overvoltage event (power surge)

Project

Catalog

Type

Date



Microwave Sensor  
on Mounting Bracket



Bluetooth Module

## SENSORMWBT1KIT

Microwave sensor

with Bluetooth Control

NICOR NLC Compatible



# NICOR®

# SENSORMWBT1KIT

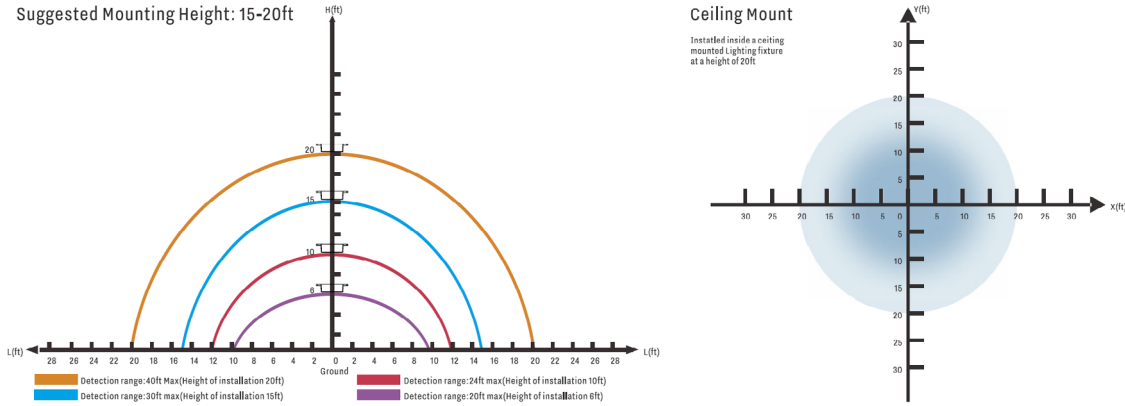
## NLC Bluetooth Microwave Sensor Kit

### Ordering

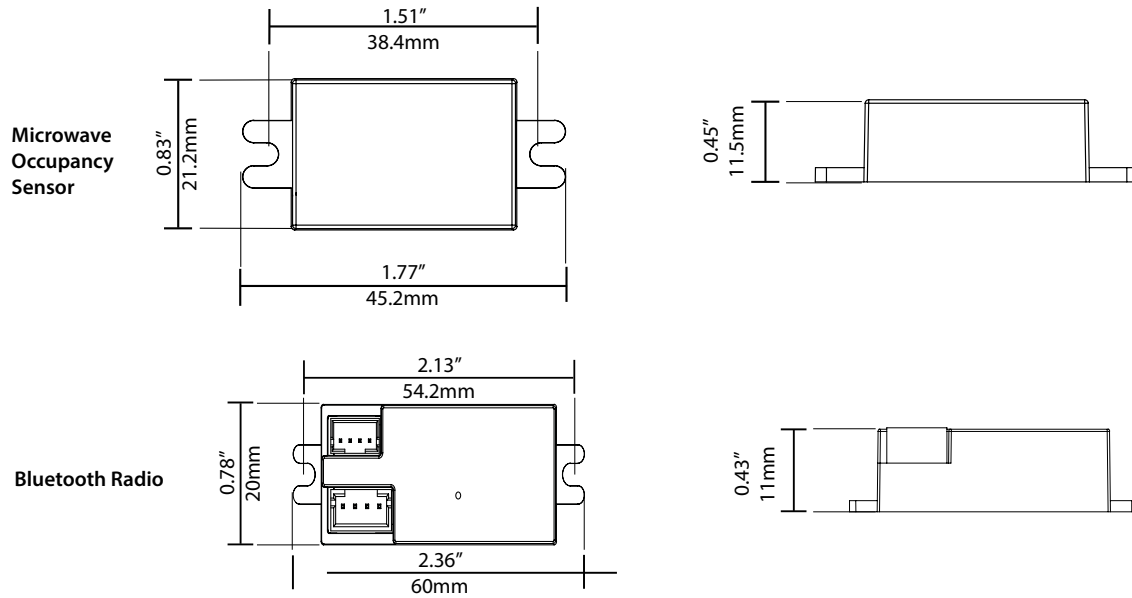
Ordering Information		Example : SENSORMWBT1KIT
Series	Description	
SENSORMWBT1KIT	NLC Bluetooth Microwave Sensor Kit	

Specifications and dimensions subject to change without notice.

### Sensor Range



### Dimension



This device complies with part 15 of the FCC Rules. Operation is subject to the following two conditions: (1) This device may not cause harmful interference, and (2) this device must accept any interference received, including interference that may cause undesired operation.

NOTE: This equipment has been tested and found to comply with the limits for a Class B digital device, pursuant to part 15 of the FCC Rules. These limits are designed to provide reasonable protection against harmful interference in a residential installation. This equipment generates, uses and can radiate radio frequency energy and, if not installed and used in accordance with the instructions, may cause harmful interference to radio communications. However, there is no guarantee that interference will not occur in a particular installation. If this equipment does cause harmful interference to radio or television reception, which can be determined by turning the equipment off and on, the user is encouraged to try to correct the interference by one or more of the following measures:

- Reorient or relocate the receiving antenna.
- Increase the separation between the equipment and receiver.
- Connect the equipment into an outlet on a circuit different from that to which the receiver is connected.
- Consult the dealer or an experienced radio/TV technician for help.

