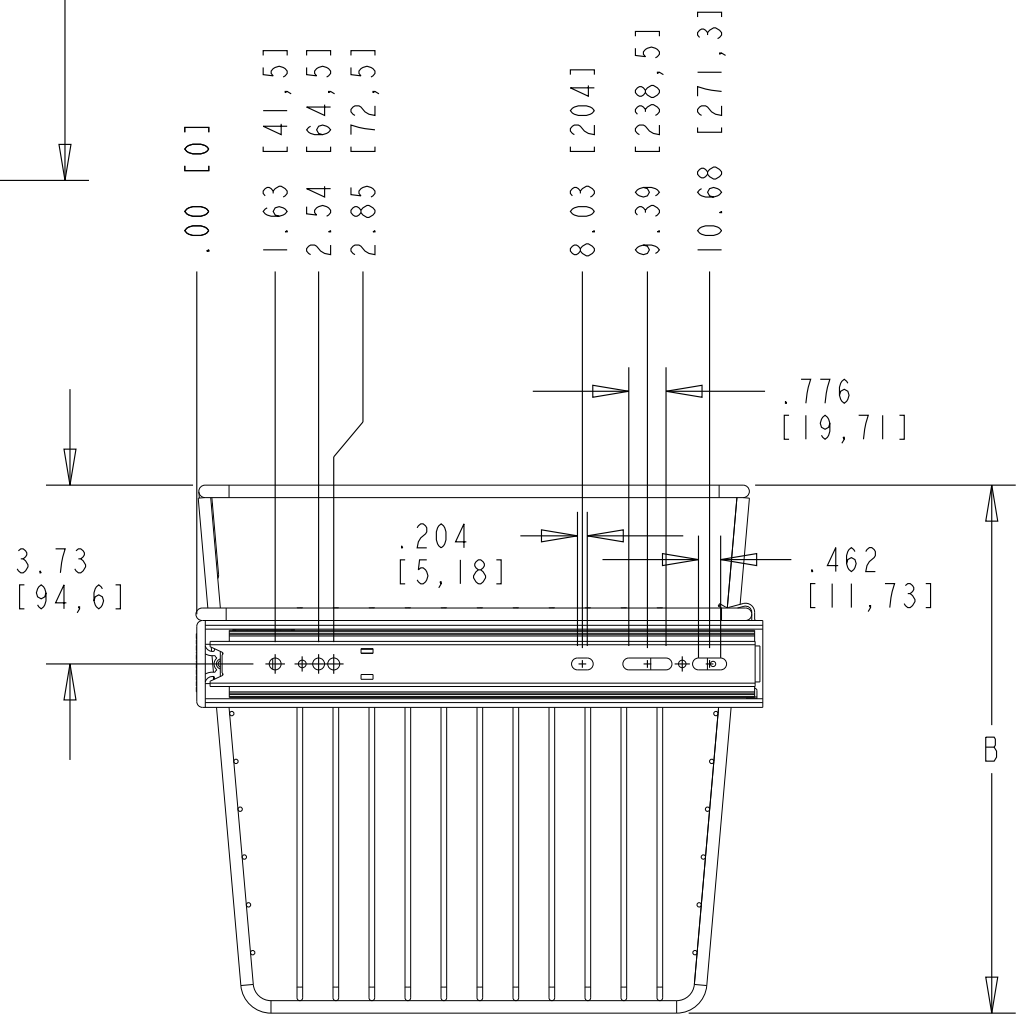


PART NUMBER	WIDTH "A"	HEIGHT "B"
CB-181207CR-*	18.00 [457,2]	7.00 [117,8]
CB-181211CR-*	18.00 [457,2]	11.00 [279,4]
CB-181218CR-*	18.00 [457,2]	18.00 [457,2]
CB-241207CR-*	24.00 [609,6]	7.00 [117,8]
CB-241211CR-*	24.00 [609,6]	11.00 [279,4]
CB-241218CR-*	24.00 [609,6]	18.00 [457,2]
CB-301207CR-*	30.00 [762]	7.00 [117,8]
CB-301211CR-*	30.00 [762]	11.00 [279,4]
CB-301218CR-*	30.00 [762]	18.00 [457,2]

* NUMBER OF BASKETS: 1 FOR A SINGLE BASKET
3 FOR 3 BASKETS



CUSTOMER DRAWING

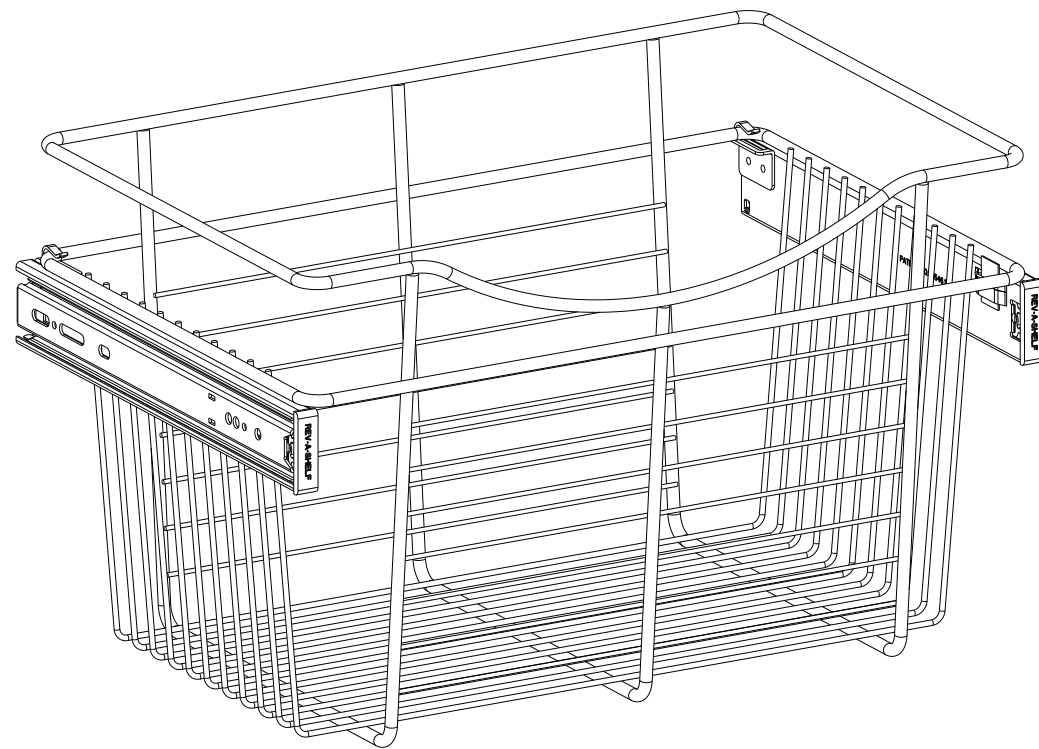
This drawing is the property of Rev-A-Shelf (RAS) and is disclosed in confidence to the extent its subject matter is original to RAS. Any vendor receiving this drawing from RAS shall hold and use this drawing for the sole benefit of RAS and shall not disclose it to, or use or reproduce it for any third party, or perform any act adverse to the interest of RAS with respect to this drawing without the express written permission of RAS. Vendors shall not revise any physical, dimensional or performance characteristic unless authorized by Rev-A-Shelf Engineering.

REV.	DATE	BY	DESCRIPTION OF CHANGE

INCH [MM]	AMERICAN PROJECTION	DRAWN	BY	DATE	REV-A-SHELF, INC.
			KRR	12-7-15	
			MATERIAL	DRAWING NO.	SCALE
			FINISH	CB-XX12XXCR-X-CUST	0.250
				PART NO.	SHEET OF
				SEE CHART	1 2

TOLERANCES
 MAT. DEC.
 (WOOD) .XX ±.03 [8mm]
 (OTHER) .XX ±.02 [5mm]
 (ALL) .XXX ±.005 [13 mm]
 FRACTIONS ±1/32 [8 mm]

ANGLES ±1/2°



PART DIMENSIONS	
WIDTH	DIM "A" (SHT. 1)
DEPTH	11.81 [300]
HEIGHT	DIM "B" (SHT. 1)

MIN CABINET OPENING	
WIDTH	DIM "A" (SHT. 1)
DEPTH	11.88 [301,6]
HEIGHT	DIM "B" +.50 (SHT. 1)

SLIDE SPECIFICATIONS				
SLIDE TYPE	BALL BEARING	SLIDE EXTENSION	FULL	MAX WEIGHT RATING
SLIDE CLOSING	NORMAL	SLIDE LENGTH	11.61 [295 MM]	
SLIDE MOUNTING	SIDE	SLIDE FINISH	ZINC	100 LB

CUSTOMER DRAWING

This drawing is the property of Rev-A-Shelf (RAS) and is disclosed in confidence to the extent its subject matter is original to RAS. Any vendor receiving this drawing from RAS shall hold and use this drawing for the sole benefit of RAS and shall not disclose it to, or use or reproduce it for any third party, or perform any act adverse to the interest of RAS with respect to this drawing without the express written permission of RAS. Vendors shall not revise any physical, dimensional or performance characteristic unless authorized by Rev-A-Shelf Engineering.

REV.	DATE	BY	DESCRIPTION OF CHANGE

INCH [MM]	AMERICAN PROJECTION 	DRAWN	BY	DATE	REV-A-SHELF, INC. 12" DEEP CLOSET BASKET ASSEMBLY
		KRR		12-7-15	
TOLERANCES		ANGLES ±1/2°	MATERIAL	DRAWING NO.	SCALE
MAT.	DEC.		FINISH	CB-XX12XXCR-X_CUST	0.250
(WOOD) .XX ±.03 [.8mm]	(OTHER) .XX ±.02 [.5mm]			PART NO.	SHEET OF
(ALL) .XXX ±.005 [.13 mm]	FRACTIONS ±1/32 [.8 mm]			SEE CHART	2 OF 2