



The installation must only be performed by a licensed electrician.

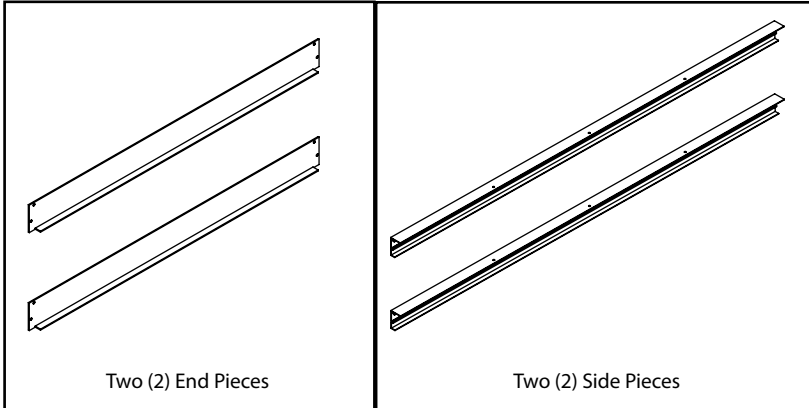
To prevent death, injury or damage to property, this product must be installed in accordance to National Electrical Code (NFPA70) in the US or Canadian Electrical Code (CSA 22.1) in Canada.

Disconnect power before installing the product or servicing it.

Wait until fixture has cooled down before installing or servicing the fixture.

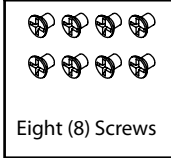
MIN. 90°C SUPPLY CONDUCTORS

What's In The Box



Two (2) End Pieces

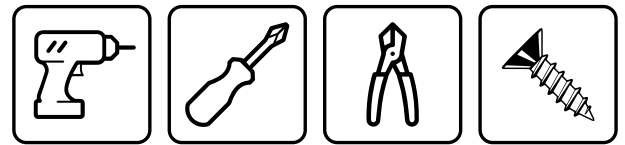
Two (2) Side Pieces



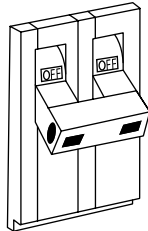
Eight (8) Screws

Tools & Materials Needed

This Surface Mount kit requires very few tools for installation. A drill or a screwdriver and a pair of wirecutters, and appropriate fasteners for mounting surface

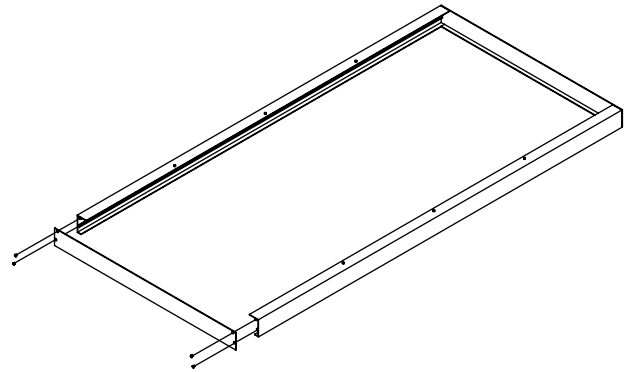


- 1 Turn off power to appropriate circuit at the breaker box.

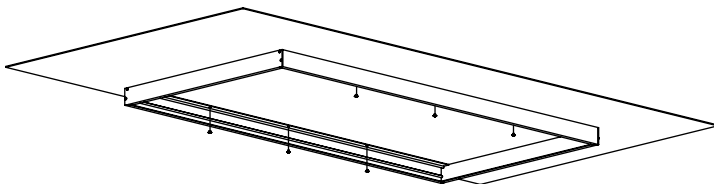


- 1 Carefully unpack the fixture from its packaging. Inspect product for defects due to shipping.

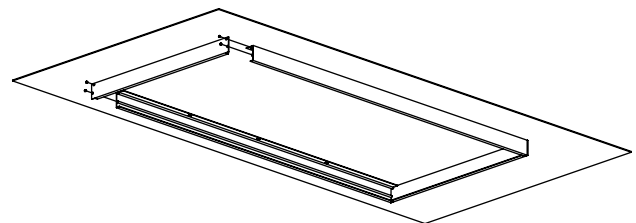
- 2 Assemble Surface Mount frame using hardware provided.



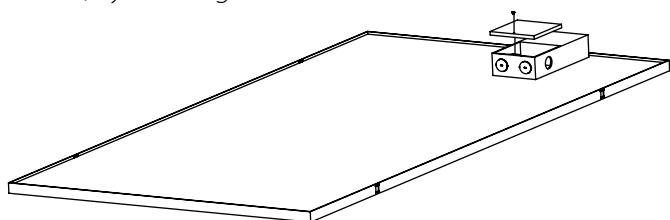
- 3 Install frame, onto desired location, using six (6) appropriate fastener (not provided).



- 4 After frame has been mounted, remove end piece closest to wiring location.

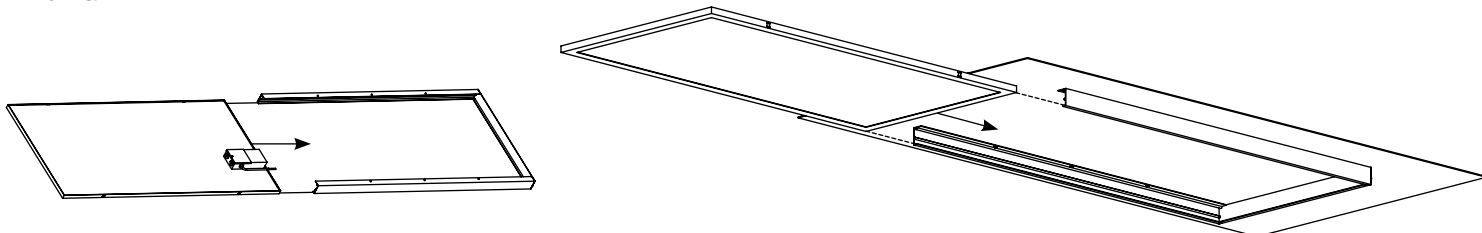


4 Remove access plate from junction-box (do not discard) by removing screw.

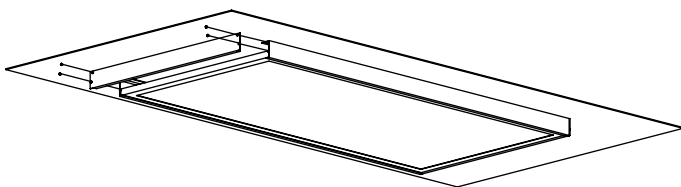


5 Connect wiring as shown in wiring diagram, leaving enough wire slack for fixture to be slide into frame through end cap, then reattach junction box cover and secure with screw.

6 Slide TPE Fixture into Frame, ensuring the side with junction-box is inserted first, ensuring wiring is kept inside the frame.

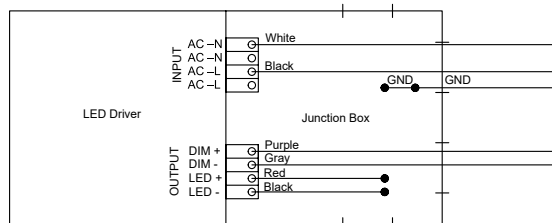


7 Replace end piece with screws, enclosing fixture in frame



6 Turn power on and verify fixture is lit.

WIRING DIAGRAM



Thank You
For Your Purchase!

WE WOULD LIKE TO HEAR FROM YOU



WRITE A REVIEW



Scan QR Code or Visit
nicorlighting.com/support/survey

