

Lumination® Decaux Small

2" Downlight



BEFORE YOU BEGIN

Read these instructions completely and carefully.

⚠ WARNING / AVERTISSEMENT

RISK OF ELECTRIC SHOCK

- Turn power off before inspection, installation or removal.
- Properly ground electrical enclosure.

RISK OF FIRE

- Follow all NEC and local codes.
- Use only UL approved wire for input/output connections. Minimum size 18 AWG.

RISQUES DE DÉCHARGES ÉLECTRIQUES

- Coupez l'alimentation avant d'inspecter, installer ou déplacer le luminaire.
- Assurez-vous de correctement mettre à la terre le boîtier d'alimentation électrique.

RISQUES D'INCENDIE

- Respectez tous les codes NEC et codes locaux.
- N'utilisez que des fils approuvés par UL pour les entrées/sorties de connexion. Taille minimum 18 AWG

Save These Instructions

Use only in the manner intended by the manufacturer. If you have any questions, contact the manufacturer.

This device complies with Part 15 of the FCC Rules. Operation is subject to the following two conditions: (1) This device may not cause harmful interference, and (2) this device must accept any interference received, including interference that may cause undesired operation. This Class [A] RFLD complies with the Canadian standard ICES-005. Ce DEFR de la classe [A] est conforme à la NMB-005 du Canada.

Note: This equipment has been tested and found to comply with the limits for a Class A digital device, pursuant to part 15 of the FCC Rules. These limits are designed to provide reasonable protection against harmful interference when the equipment is operated in a commercial environment. This equipment generates, uses, and can radiate radio frequency energy and, if not installed and used in accordance with the instruction manual, may cause harmful interference to radio communications. Operation of this equipment in a residential area is likely to cause harmful interference in which case the user will be required to correct the interference at his own expense.

Prepare Electrical Wiring



Electrical Requirements

- The LED driver must be supplied with 120-277 VAC, 50/60 Hz and connected to an individual properly grounded branch circuit, protected by a circuit breaker. Use min.90°C supply conductor.



Grounding Instructions

- The grounding and bonding of the overall system shall be done in accordance with National Electric Code (NEC) Article 600 and local codes

⚠ CAUTION

RISK OF INJURY

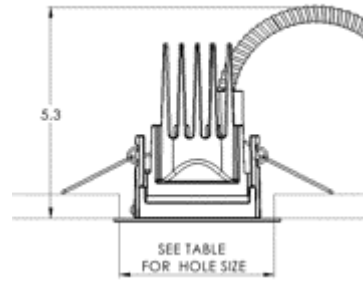
- Operators shall ensure no appendages are in the path of the torsion springs as they are a pinch hazard when released. Be cautious that no body part is in the path of the spring when released.

RISK OF DAMAGE

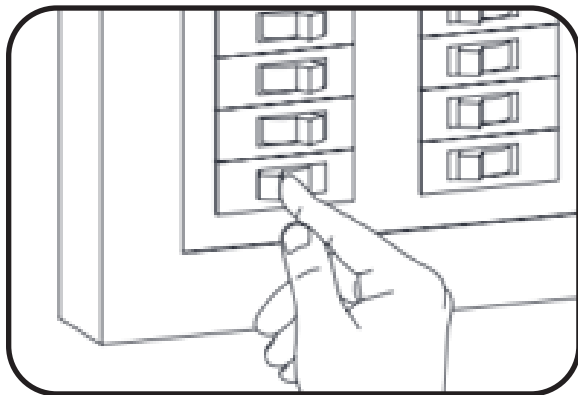
- Luminaire may fall down if not installed properly.

Ceiling Hole Requirements

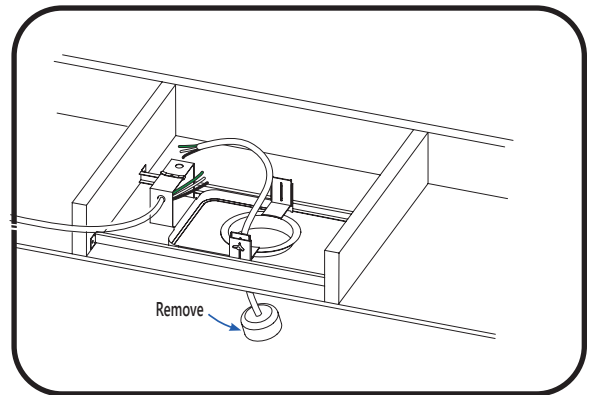
Configuration	Hole Size	Ceiling Thickness
Round	3.75 - 4.0	0.5-1.5
Square	3.75 x 3.75 - 4.0 x4.0	0.5-1.5
Trimless	3.5	0.5-1.5



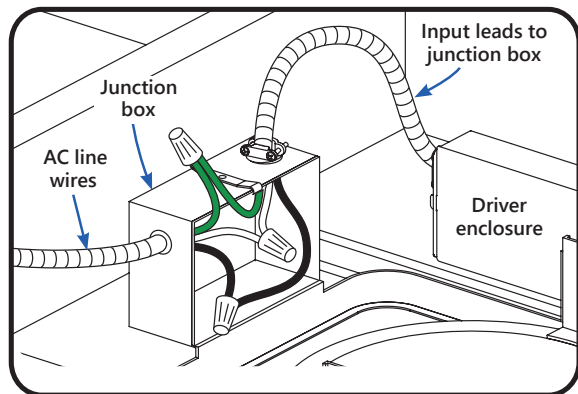
Retrofit Luminaire Installation



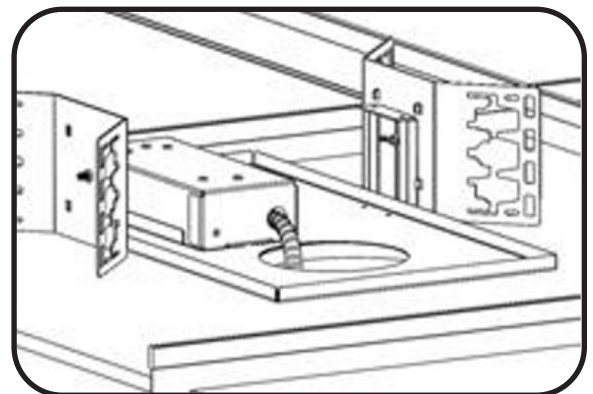
1 SHUT OFF POWER TO THE LIGHTING SYSTEM.



2 Remove existing lamp, reflector and conduit.

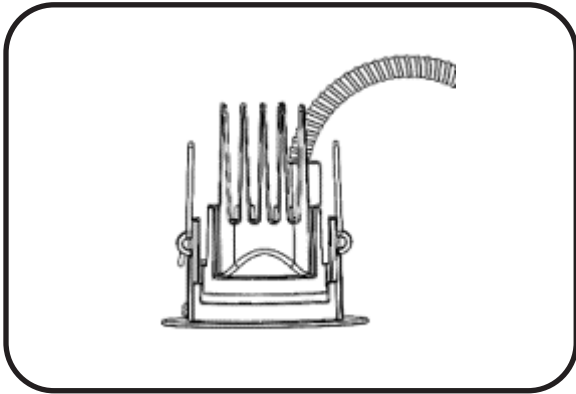


3 Connect AC conduit to driver enclosure. Ensure that connections are secure. Conduit connected to the driver enclosure must still allow for the enclosure to be removable from the ceiling. Connect the black, white, and green AC line wires to the appropriate wires inside driver enclosure. Connect optional dimming wires as needed. Securely close driver enclosure. Connect AC conduit to pre-existing electrical enclosure and securely close.

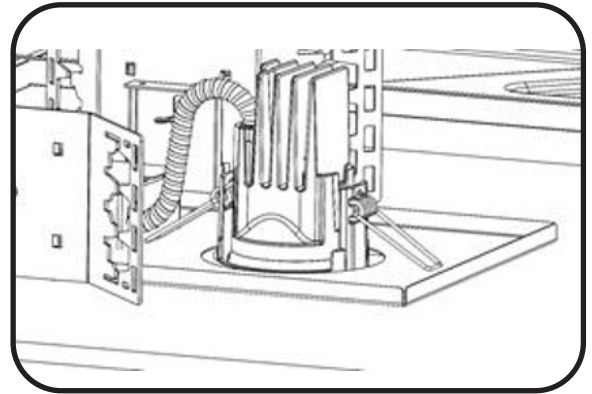


4 Position the driver enclosure into the ceiling through the existing opening. For new construction installation, ensure driver is on rough in kit (see page 4 for more information).

Luminaire Installation

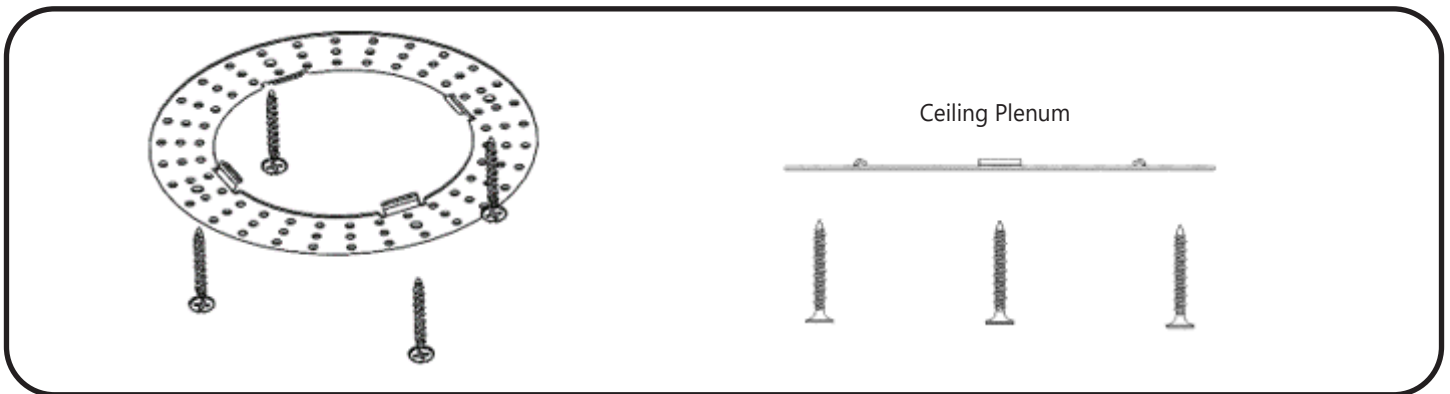


5 Deflect the springs on the luminaire into an upright position.

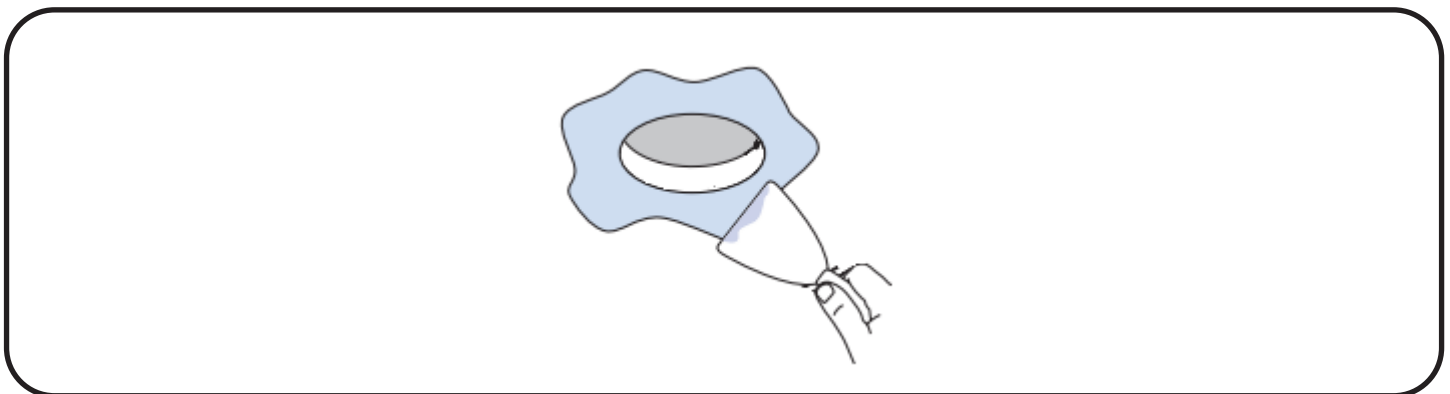


6 Push the fixture through the hole in the ceiling. Ensure that the springs are engaged on the frame and it is held securely.

Trimless Option for Drywall Application

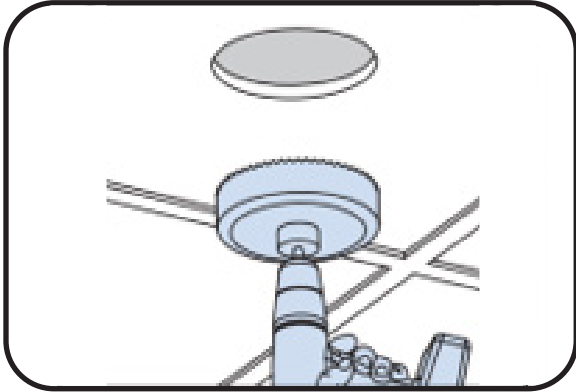


1 Ensure that Mud Frame is lined up and centered in ceiling hole. Secure to ceiling using fine thread 4 x 1 ¼ #2 drywall screws (not included). Ensure that the holding tabs are above the ceiling surface.

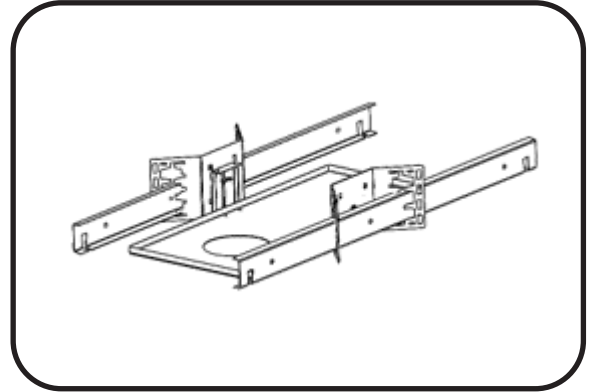


2 Plaster Mud Frame. Ensure Reflector is flush with plaster . Sand and paint once plaster is set.

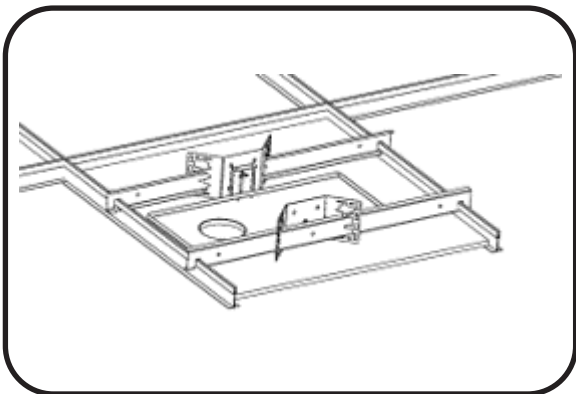
New Construction Rough in Kit



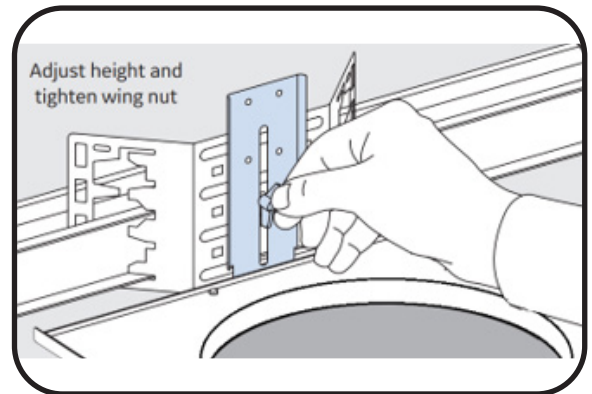
- ① Cut the appropriate size hole into ceiling. Refer to Hole Requirements section.



- ② Slide Hanger Bars into Brackets.

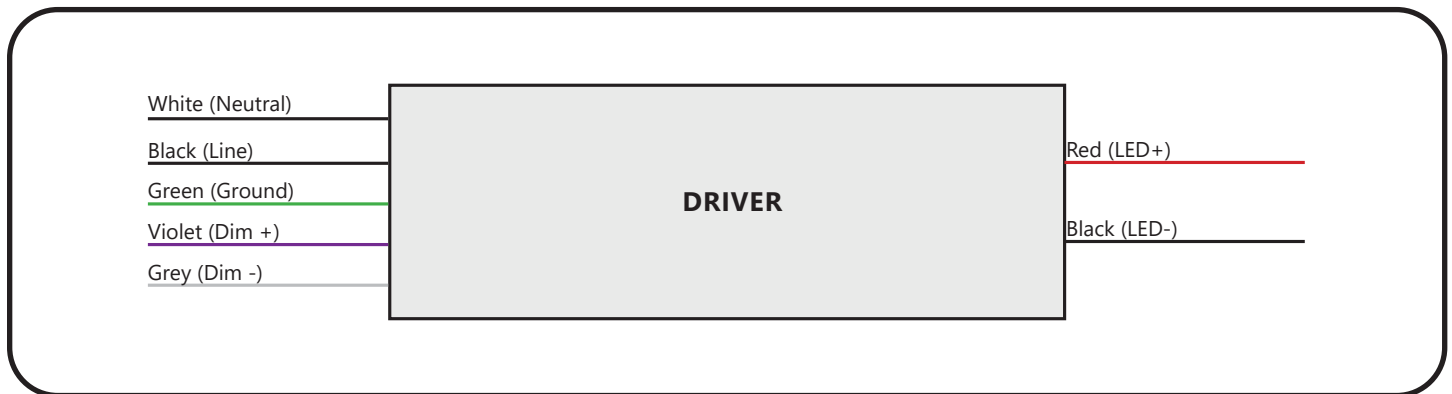


- ③ Mount Hanger Bars onto T-Grid.

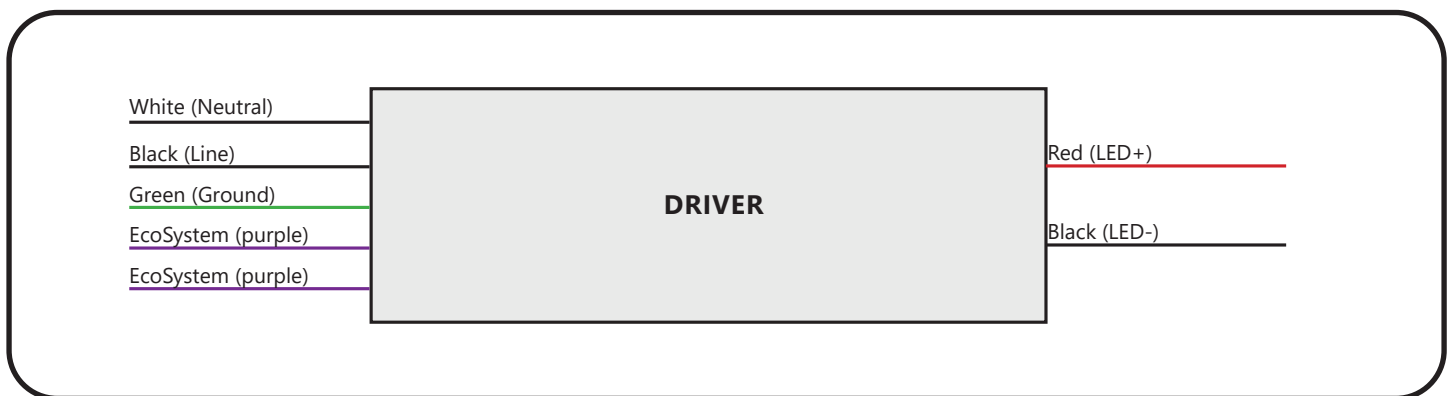


- ④ Adjust height and tighten the wing nut. Ensure rough in plate is flush with ceiling. To Continue Installation, go to the Luminaire Installation section, Step 3.

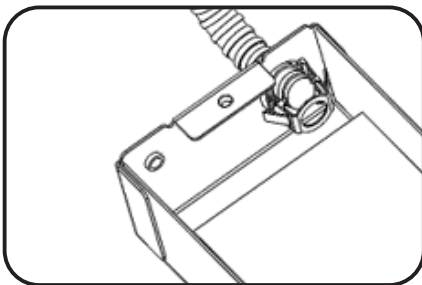
Wiring Diagrams



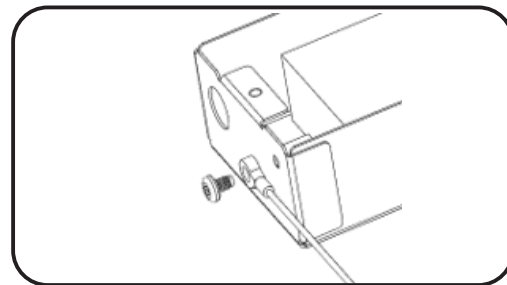
Lutron Wiring Diagrams



Light Engine Replacement



- 1 CAREFULLY REMOVE LIGHT ENGINE from ceiling and pull Driver Enclosure below ceiling. Un-screw driver enclosure cover, disconnect DC wires from driver. Compress Tabs on DC Conduit holder and remove conduit from Driver Box.



- 2 Detach the safety tether connecting the light engine to the driver box. Connect conduit and safety tether that come with new light engine to driver box. Reconnect DC Wires to driver. Ensure that all mechanical and electrical connections are secure. Close driver box using exiting screw and re-install luminaire.