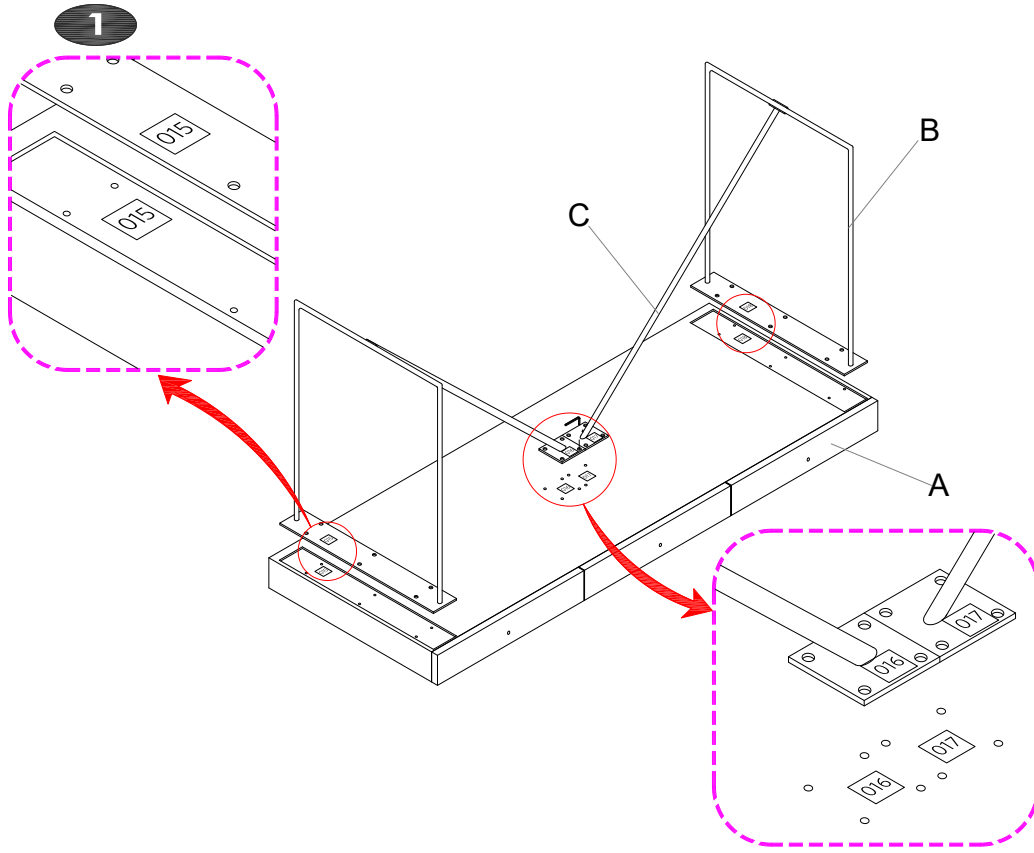


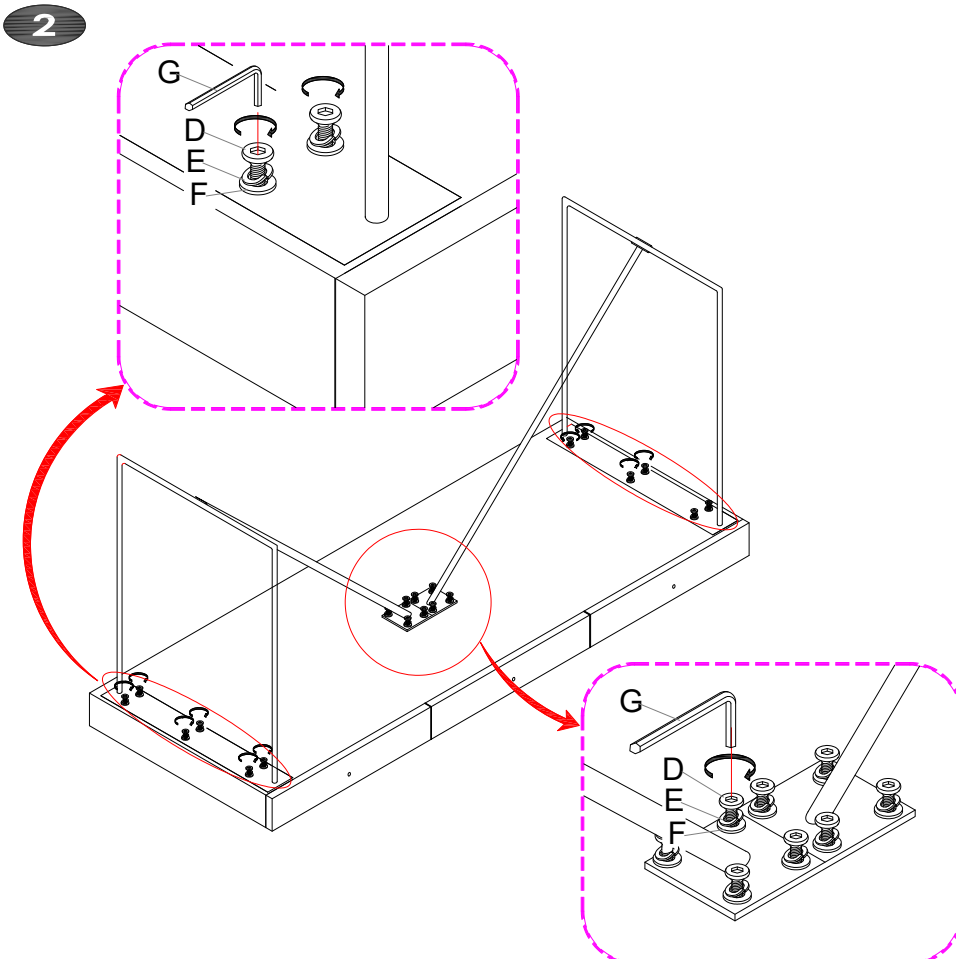
SONDER

LIVING

WRIGHT DESK



A		1
B		2
C		2
D		20
E		20
F		20
G		1
H		2
I		3
J		3
K	 (Not Provided)	1

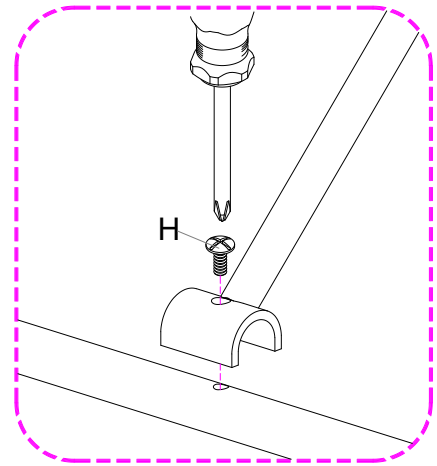
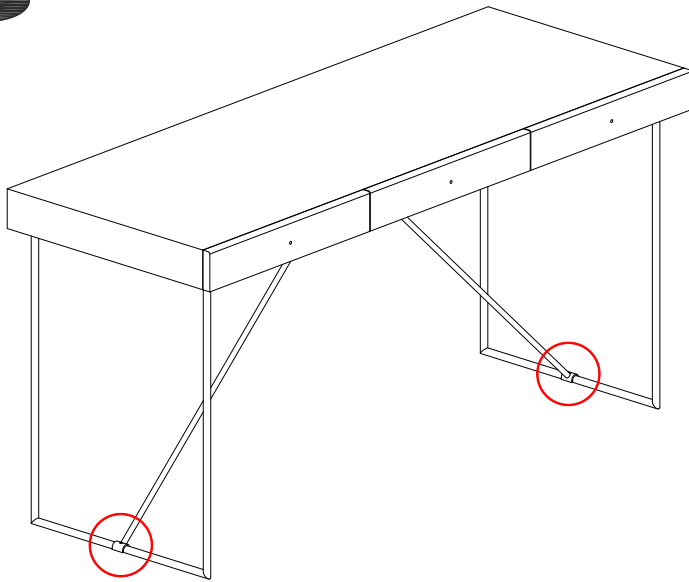


SONDER

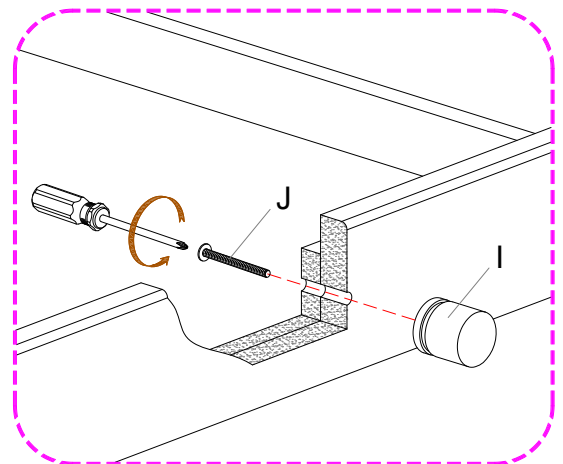
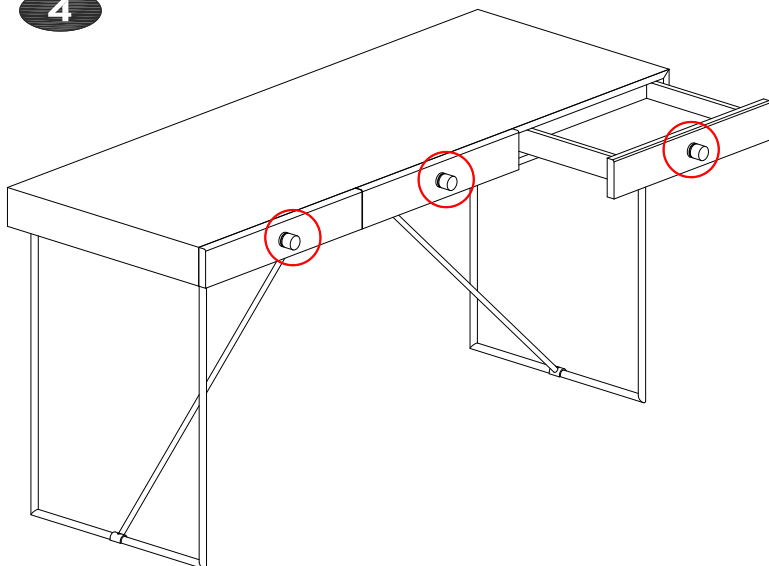
LIVING

WRIGHT DESK

3



4



5

