

UWL

LED Work Light

Product Description

The NICOR UWL is a contractor-grade LED Work Light, designed as rugged temporary lighting for construction sites, outdoor projects, or other unfinished locations. Built with a rugged, easy access housing, this light is engineered to withstand the demands of professional work. The integrated hook allows for easy hanging or positioning in a variety of setups. Lightweight, portable, and built for tough conditions, this work light is the perfect tool to help you get the job done safely and efficiently.

Construction

- Polymer driver housing with tool-less latch opening
- Water-tight cable glands
- Die cast heat sink with convective cooling features
- Steel safety cage for impact protection

Optical System

- 360° light pattern and additional down/up light array
- Available in 5000K
- Utilizes high performing LEDs with > 80 CRI

Electrical

- 120-277VAC Input Voltage
- Hardwire connections with onboard terminal connector
- 100%/50%/OFF via switch on housing
- Operating temperature rating of -40°F to 113°F (-40°C to 45°C)

Finish

- Orange polymer driver housing
- White coated safety cage

Mounting and Installation

- Folding hook with integrated carabiner for a variety of hanging mounts
- Linkable up to 800W total
- Optional floorstand available
- Available mounting bracket allows mounting to floorstand, tripods, or other support structures

Listings

- cULus 1598 Listed for damp locations
- RoHS compliant
- Meets FCC Part 15, Subpart B, Class A standards for conducted and radiated emissions
- TM-21 Reported L70(9k) life >50,000 hours
- LM-79, LM-80 testing performed in accordance with IESNA standards

Warranty

- 5-year limited system warranty standard
 - Warranty does not cover product failure due to an overvoltage event (power surge.)
- For installations where power surge may be possible, NICOR recommends installing additional surge protection at the fixture or electrical distribution panel

Project

Catalog

Type

Date



UWL
LED Work Light
12000 & 18000 Lumens
5000K



NICOR[®]

Ordering

Ordering Information

Example: UWL1150U58OR

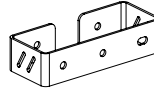
Series	Version	Wattage	Input Voltage	CCT	CRI	Finish Color
UWL	1	100 (100 watt)	U (120-277)	5 (5000K)	8 (80+)	OR (Orange)
		150 (150 watt)				

Specifications and dimensions subject to change without notice. Please refer to the website for the most up-to-date information.

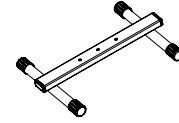
Accessories

accessories sold separately

- UWL1MOUNTBRKTBK Mounting Bracket - Black
- UWL1FLOORSTANDOR Floor Stand - Orange



Mounting Bracket



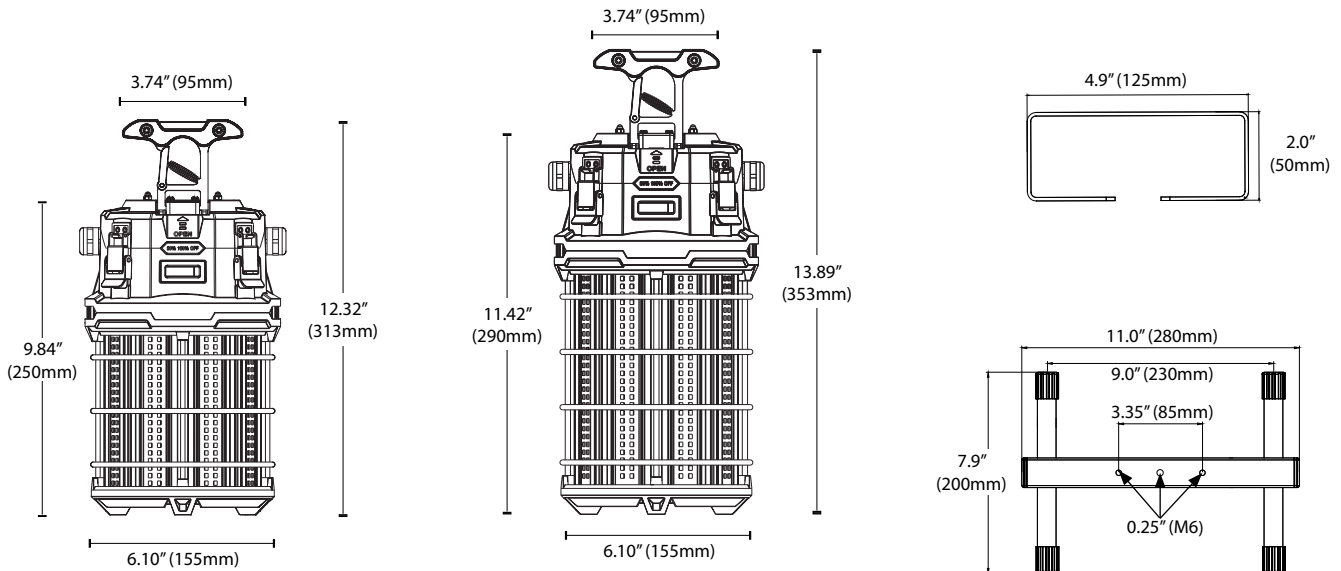
Floor Stand

Performance and Photometric Data

Performance Data				
Wattage	CCT	Lumens	Wattage	Lumens/Watt
100W	5000	12000	100	120
150W	5000	18000	150	120

UWL	100W	150W
Input Voltage (VAC)	120-277	
System Level Power (W)	100	150
Delivered Lumens (Lm)	12000	18000
System Efficacy (Lm/W)	120	
Correlated Color Temp (K)	5000	
Color Rendering Index (CRI)	80	

Dimensions



This device complies with part 15 of the FCC Rules. Operation is subject to the following two conditions: (1) This device may not cause harmful interference, and (2) this device must accept any interference received, including interference that may cause undesired operation.

NOTE: This equipment has been tested and found to comply with the limits for a Class A digital device, pursuant to part 15 of the FCC Rules. These limits are designed to provide reasonable protection against harmful interference when the equipment is operated in a commercial environment. This equipment generates, uses, and can radiate radio frequency energy and, if not installed and used in accordance with the instruction manual, may cause harmful interference to radio communications. Operation of this equipment in a residential area is likely to cause harmful interference in which case the user will be required to correct the interference at his own expense.