



Note: Warm up time is 50 seconds. After the sensor is connected for the first time, the light will stay on for 50 seconds, then dim. This indicates proper function of the sensor.

Note: Detection range, Hold time, Daylight sensor, Stand-by period and Stand-by dimming level of the sensor can be manually adjusted by dials on the sensor. All other sensor settings are set to factory default and require the optional remote control to change settings.

SAVE THESE INSTRUCTIONS

Introduction

The H12V3SENSORPIR1PWH is a motion sensor that controls lighting based on movement. This low-profile sensor is designed for field installation into a socket on the bottom side of the fixture.

The PIR sensor uses infrared sensing technology that reacts to changes in movement within the coverage area. Once the sensor stops detecting movement and the hold time elapses, lights will go to standby dimming level and eventually to an off after the standby period elapses.

Sensors must directly "see" motion of a person or object to detect them, so careful consideration must be given to the sensor placement. Avoid placing the sensor where obstructions may block the sensor's line of sight or within 6' of any heat source such as a heating supply vent.

Note: If the light is on while setting parameters, the light will blink once to indicate the setting change. Remote control settings, "CCT" and "o" are not available for use.

What's In The Box



One (1) 12V PIR Sensor
H12V3SENSORPIR1PWH

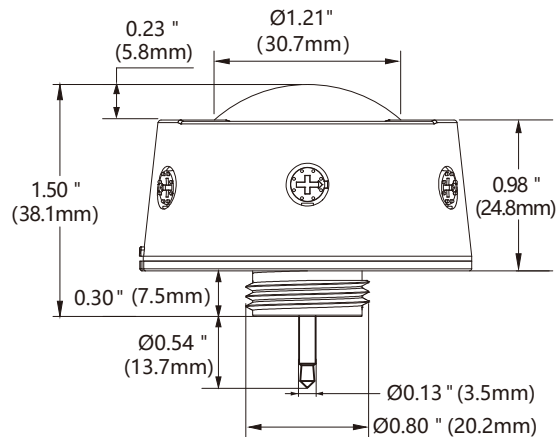
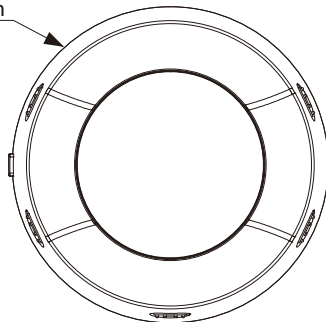
Available Accessory



Remote Control
H12V2REMOTE

Dimensions

Ø2.13"
54mm



Parameters (default settings in **bold**)

Voltage Input	12-24VDC
Signal	NO/OFF ,0-10V dimming , Remote can switch off signal receiving
Stand-by Power	< 15mA
PIR Sensitivity	3200V/W
Installation Height	≤12m/39.37ft
Control device	H12V2REMOTE remote, "MH"control ON/OFF of signal receiving , 5 pcs rotating switch setting setting
Hold Time	Set by remote control : 5s/30s/ 1min /3min/5min/10min/20min/30min Rotating switch : 5s/ 1min /5min/10min
Detection Area	Set by remote control : 25%/50%/75%/ 100% Rotating switch : 25% / 50% / 75% / 100%
Daylight Threshold	Set by remote control (lux): Disable /400Lux/350Lux/300lux/250Lux / 200Lux/120lux/80lux/50lux/ 30lux/10lux/2lux Rotating switch : Disable/400Lux/200Lux/50Lux
Stand-by Dimming Level	Set by remote control : 10%/ 20% / 30%/ 50% Rotating switch : 10%/ 20% / 30%/ 50%
Stand-by Period	Set by remote control : 0s/10s/30s/ 1min /5min/10min/30min/60min/+∞ Rotating switch : 0s/10min/30min/+∞
Dusk/Dawn Sensing/Photocell	1. STANDBY DIM LEVEL as any of 10% 20% 30% 2. STANDBY PERIOD as infinite 3. DAYLIGHT as any of 30Lux/50Lux/80Lux/120Lux/200Lux/250Lux/300Lux/350Lux/400Lux
Daylight Harvesting	1. Stay in SENSOR MODE 2. STANDBY PERIOD as 0S 3. DAYLIGHT as any of 50Lux/80Lux/120Lux/200Lux/250Lux/300Lux/350Lux/400Lux 4. Press DAYLIGHT HARVESTING button to ON
Fixture Brightness	Set by remote control: 100% and adjustable in increments of 5%. Consult fixture spec sheets for exact data.
Environmental Requirements	In accordance with CE ROHS
Working Temp	-68°F to 140°F (-20°C to +60°C)
IP Rating	IP65

Detection Coverage

