

# Lumination® LED Luminaires

## Suspended Luminaire - EP14 Series

Project Name \_\_\_\_\_

Date \_\_\_\_\_ Type \_\_\_\_\_

Notes \_\_\_\_\_



The Lumination® EP Series 1' x 4' suspended luminaire is a commercial luminaire utilizing an advanced LED optical system to achieve superior performance. The unique design incorporates a clear transition zone between the frame and light emitting portion of the fixture, making the illusion of the light floating in mid-air. The ultra-thin profile and improved lumen maintenance of >80% of initial lumens at 50,000 hours of operation, allows for each of installation and lower maintenance costs over time. It is suitable for indoor general lighting.

### PERFORMANCE SUMMARY

**Delivered Light Output:** 3900 - 4200 lumens

**System Input Power:** 42 watts

**Efficacy:** 71-76 LPW

**Input Voltage:** 120-277V

**Standard Dimming Control:** 0-10V

**CCT:** 3000K/3500K/4000K

**Typical CRI:** 82, Min CRI: 80

**Lifetime Rating:** L82 @ 50,000 hours

**Input Frequency:** 50/60Hz

**Power Factor:** >0.9

**THD:** <20%

**Weight:** 14.3 lb (6.5 kg)

**Mounting:** Suspension Cables w/ Remote Driver Enclosure. Continuous Row Mounting Bracket Available

**Driver Kit Weight:** 4.3 lb (2.0 kg)

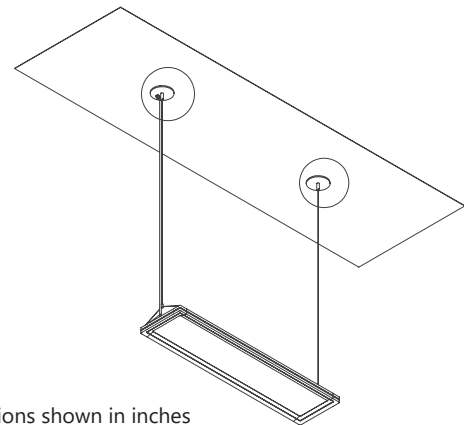
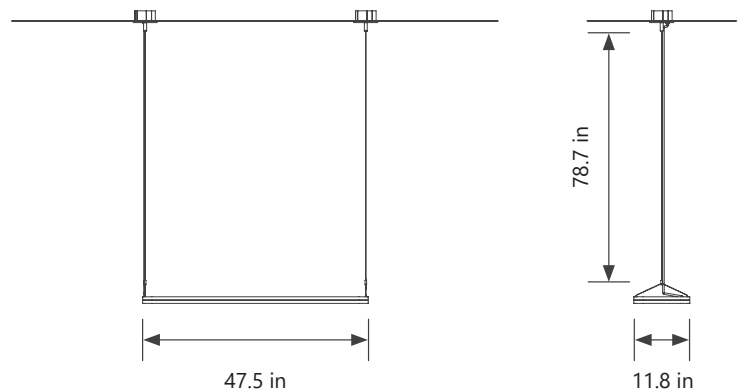
**Warranty:** 5 Years

**IK Code:** IK3

**IP Rating:** IP30

**Operating Conditions:** -10°C to 40°C

### PRODUCT DIMENSIONS



Dimensions shown in inches

### CERTIFIED BY



# Lumination® LED Luminaires

Suspended Luminaire - EP Series

Catalog Logic & Specification

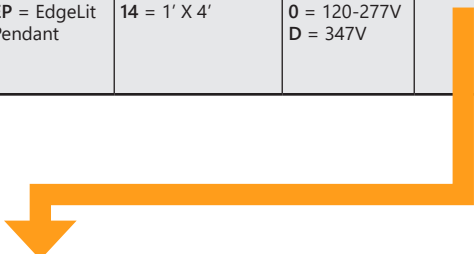
Project Name \_\_\_\_\_

Date \_\_\_\_\_ Type \_\_\_\_\_

Notes \_\_\_\_\_

## ORDERING INFORMATION

INTERNAL CODE	FIXTURE TYPE (NOMINAL)	VOLTAGE	OPTICAL CODE	MOUNTING	CONTROLLER	FINISH	OPTIONS
EP = EdgeLit Pendant	14 = 1' X 4'	0 = 120-277V D = 347V		C = Cable Suspension-Concealed PSU	V = 0-10V	SLVR = Silver	Blank if no options E = Lutron Ecosystem Compatible H = Chicago Plenum Compatible EH = Lutron EcoSystem & Chicago Plenum, CCEA



OPTICAL CODE	TYPE	CRI	COLOR TEMP (K)	TYPICAL LUMENS	SYSTEM WATTAGE
A1	Medium	80	3000	3900	55
A2	Medium	80	3500	4000	55
A3	Medium	80	4000	4200	55

ACCESSORIES	PRODUCT CODE	DESCRIPTION CODE
Lumination Suspended Slanted Ceiling Mount Kit	67652	(GESK01)
Lumination Suspended Seismic Bracing Kit	67653	(GESK02)
Lumination Suspended Canopy Replacement Kit	67654	(GESK03)
Lumination 1'x4' Suspended Joining Bracket Kit	67655	(GESK04)

## PRODUCT SPECIFICATIONS

### Optical System:

Delivers superior performance and greater control of how the light is distributed.

- Precision formed optical assembly comprised of injection molded high specularly reflectors, and an injection molded conformal transmissive lens
- High optical grade acrylic providing good efficiency and impact resistance
- Durable hard coated protective layers for scratch resistance and ease of cleaning
- LED light engine consists of a precision die-cast aluminum heat sink, a Metal Core Printed Circuit Board Assembly (MCPCB)
- Beam Uniformity: Du'v' = 0.0008
- Luminance Uniformity: 2:1 max to min
- No visible diodes

### Construction:

- Durable, long lasting designer aluminum frame
- IP Rating: IP30
- Impact Resistance: IK=3

### Maximum Driver Remote Mounting Distance:

Supply Wire Gauge	Wire Length*
18 AWG (0.82 mm <sup>2</sup> )	59.0 ft (18 m)
16 AWG (1.31 mm <sup>2</sup> )	98.4 ft (30 m)
14 AWG (2.08 mm <sup>2</sup> )	154.2 ft (47 m)
12 AWG (3.31 mm <sup>2</sup> )	249.3 ft (76 m)

\*Includes fixture's 6.6 ft (2 m) power cord

### Electrical System:

- Class 1, replaceable, high efficiency LED driver rated for 100,000 hours when used within operating conditions.
- Audible Noise – Per 29CFR 1910 sub part G: <24 dba (1 foot)
- Thermal overload protection shuts down the luminaire when system temperatures exceed designed operating conditions
- THD: <20%
- Transient Protection: 100 kHz ring wave, 2.5 kV level
- Environmental Testing:  
High Temperature High Humidity: 60°C / 90% (non-condensing)
- Electronic Vibration Testing: Multi Axis,  
Random Vibration Profile: 2-2000 Hz, 5Gs on electronics
- Input Current: 120V/55W - 455mA  
230V/55W - 248mA  
277V/55W - 216mA

### Installation:

- Suspension cables and mounting accessories provided standard
- Remote PSU enclosure delivers a clean, uninterrupted luminaire below the ceiling grid
- Luminaire Vibration Testing: Luminaire test to 0.5 G, 100,000 cycles per axis, 2 axis

For more information and access to all of our resources, including our design tool visit: [www.gecurrent.com](http://www.gecurrent.com)

# Lumination® LED Luminaires

Suspended Luminaire - EP Series

Photometric data

Project Name \_\_\_\_\_

Date \_\_\_\_\_ Type \_\_\_\_\_

Notes \_\_\_\_\_

## PHOTOMETRIC DATA:

PTLED12E08069-A.ies

CANDLEPOWER SUMMARY			
ANGLE	0°	45°	90°
45°	1858	2873	4049
55°	2193	3726	5782
65°	2608	4766	8185
75°	2780	5275	9487
85°	1451	1950	2581

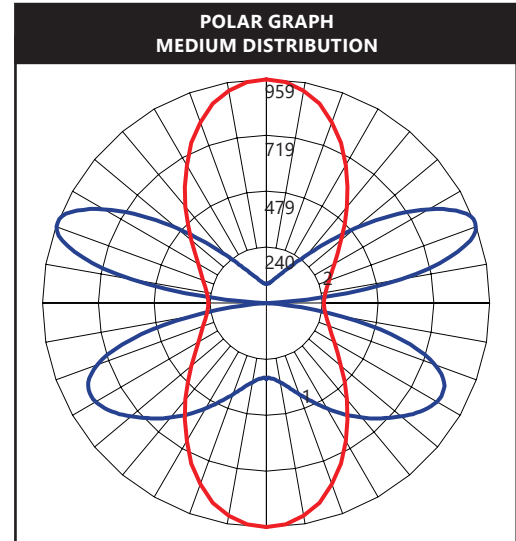
ZONAL LUMEN SUMMARY	
ZONE	LUMENS
0-10	31.69
10-20	100.89
20-30	184.79
30-40	284.17
40-50	389.00
50-60	482.90
60-70	514.81
70-80	373.60
80-90	72.59
90-100	133.42
100-110	485.07
110-120	519.23
120-130	360.10
130-140	192.85
140-150	96.71
150-160	51.70
160-170	26.03
170-180	7.96

COEFFICIENTS OF UTILIZATION																					
RC	80%				70%				50%				30%				10%				0%
RW	70%	50%	30%	10%	70%	50%	30%	10%	50%	30%	10%	50%	30%	10%	50%	30%	10%	0%			
0	109	109	109	109	101	101	101	101	87	87	87	74	74	74	62	62	62	57			
1	97	92	87	83	90	86	81	78	73	70	67	62	60	58	52	50	49	44			
2	87	78	71	65	80	72	66	61	62	57	53	52	48	45	43	40	38	33			
3	78	67	58	52	72	62	54	48	53	47	42	44	40	36	37	33	30	26			
4	71	58	49	42	65	54	46	39	46	39	34	38	33	29	32	28	24	21			
5	64	51	42	35	59	47	39	33	40	34	28	34	28	24	28	23	20	17			
6	59	45	36	30	54	42	34	28	36	29	24	30	25	20	24	20	17	14			
7	54	40	31	25	50	37	29	24	32	25	21	27	21	18	22	18	15	12			
8	50	36	28	22	46	34	26	21	29	22	18	24	19	15	20	16	13	10			
9	46	33	25	19	43	31	23	18	26	20	16	22	17	13	18	14	11	9			
10	43	30	22	17	40	28	21	16	24	18	14	20	15	12	17	13	10	8			

NOTE: Floor Cavity Reflectance: 20%

ZONAL LUMEN SUMMARY			
ZONE	LUMENS	% OF LAMP	% OF FIXTURE
0-20	132.59	N.A.	3.10
0-30	317.38	N.A.	7.40
0-40	601.55	N.A.	14.00
0-60	1473.45	N.A.	34.20
0-80	2361.86	N.A.	54.80
0-90	2434.45	N.A.	56.50

Total Luminaire Efficiency = N.A.%



For Product or Technical Questions:

Email: [lightingproinfo@gecurrent.com](mailto:lightingproinfo@gecurrent.com)

Phone: +1 888 694 3533, option 2