

Daintree® Wireless Controls

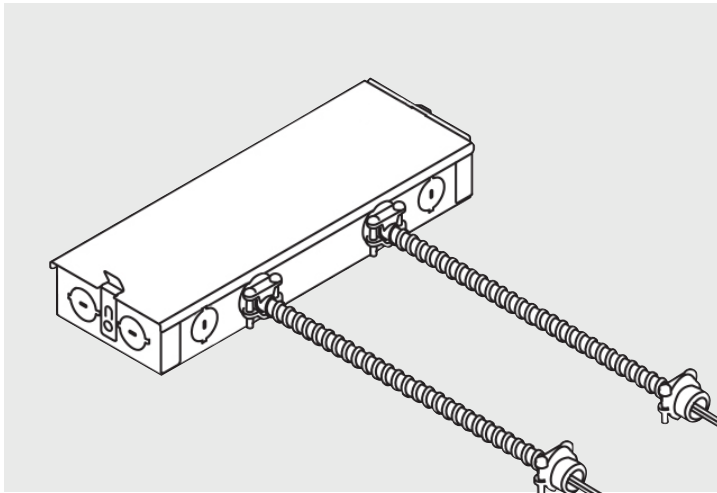
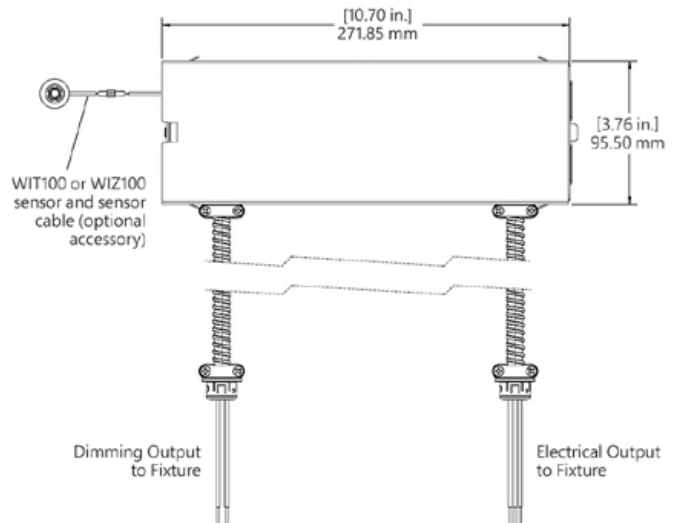
LCA Controls Accessory Kit

Project Name _____

Date _____ Type _____

Catalog Number _____

Product Dimensions



Description

Lumination Control Accessory (LCA) kits turn any lighting fixture with 0-10V dimming into smart lighting fixtures by utilizing cutting-edge Daintree Wireless Controls technology and by offering the ability to enhance data analytics capabilities with Daintree Networked. Each kit offers the ability to connect to up to 4 fixtures*.

Kits come equipped with all necessary wiring components to connect fixtures to the controller (and sensors if applicable). The kits can be remote mounted in control rooms or ceiling plenums.

You can upgrade any 0-10V LED lighting fixture with Daintree Wireless Controls by simply integrating an appropriate Daintree LCA kit.

Daintree LCA Kits can be used with an appropriate Daintree Sensor to enable the performance of Daintree Wireless Controls with fixtures that are not integrated with Daintree Wireless Controls. Choose a "TI" Sensor Accessory for Daintree ONE functionality for stand alone fixture control or "TT" Sensor Accessory for Daintree EZ Connect functionality. Daintree EZ Connect functionality allows zonal or room based commissioning on the Daintree EZ Connect app which can be downloaded on the Apple® App Store. Order a "TZ" sensor accessory for full-featured Daintree Networked functionality.

The sensors provide occupancy sensing and photocell detection. The sensor diameter is about the size of a quarter for very subtle mounting in the ceiling.

Specifications

Voltage	120-277V, 3A, General Use* 120-277V, 3A, Electronic Driver*
Input Frequency	50-60Hz
Connection to Fixtures	Power (for on/off control) and 0-10V analog dimming
Mounting	Remote Mounted in control rooms or ceiling plenums (optional accessory) Sensors require a 1/2" hole
Operating Environment	0-35°C
Rated Life	>60000 hrs.
Storage Temperature	-40°C to 60°C

*Quantity of connected fixtures depends on fixture wattage. Total connected load must not exceed max fixture load and inrush current rating. Inrush Current: 165 Amps for 20ms and 492 Amps for 1.5ms.



Daintree® | LCA Controls Accessory Kit

Compatibility

Compatible with Daintree® One, Daintree® EZ Connect and Daintree® Networked Wireless Controls



Certifications

UL & cUL Listed



Ordering Information

Controls Option Reference	Order Code	Part Number	Description
TQ	93057194	LCAMBA0TQFM	Daintree Networked Wireless Enabled – No Sensor Input. (Note: This is the most commonly ordered option VS. TS option)
TS	93038296	LCAMBA0TSFM	Daintree Networked Wireless Enabled with Daintree WFA100
T1, TT, TZ	93095787	LCAMBA0SQFM	Daintree One, Daintree EZ Connect or Daintree Networked Wireless with remote mounted sensor (ordered separately as an accessory). Use WIT100 Sensor for Daintree One and Daintree EZ Connect. Use WIZ100 Sensor for Daintree Networked

(Optional) Sensor Accessory Ordering Information

Controls Option Reference	Order Code	Part Number	Description
T1	93098472	LSAAT1/T1FM6	Daintree One Remote Mounted Sensor (WIT100) with 6 ft. cable
TT	93098472	LSAATT/T1FM6	Daintree EZ Connect Remote Mounted Sensor (WIT100) with 6 ft. cable
TZ	93098473	LSAATZ/T1FM6	Daintree Networked Remote Mounted Sensor (WIZ100) with 6 ft. cable
Sensor Holder Canopy	93125859	GESKXXX	Canopy Cover to hold sensor. Attaches to metal conduit box above ceiling (if required by local codes). Quantity: 5

*Quantity of connected fixtures depends on fixture wattage and inrush current. Total connected load must not exceed max fixture load and inrush current ratings. Please consult appropriate fixture load ratings.