

**PLEASE FIND A QUALIFIED ELECTRICIAN FOR INSTALLATION.**  
**Please read the instructions before you install and use the luminaire.**



**WARNING:** Risk of Electric Shock. Disconnect power at fuse or circuit breaker before installing or servicing

**WARNING:** AC power must be off before proceeding with assembly or installation of transformer.

**CAUTION:** Make sure all electrical connections conform to the National Electrical Code and all applicable local regulations.

**CAUTION:** Do not mount near gas or electric heaters.

**CAUTION:** Equipment should be mounted in location and at heights where it will not be subjected to tampering by unauthorized personnel.

**CAUTION:** The use of accessory equipment not recommended by the manufacturer may cause an unsafe condition.

**CAUTION:** Do not use this equipment for other than its intended use.

**CAUTION:** Use within grounded, UL Listed, wet location rated fixtures and case should be grounding.

## SAVE THESE INSTRUCTIONS

### PRODUCT INFORMATION LIST

Input Voltage	480VAC @ 60Hz	347VAC @ 60Hz	277VAC @ 60Hz
Output Voltage	208VAC @ 60Hz	150VAC @ 60Hz	120VAC @ 60Hz
Max Load	465VA / 375W	320VA / 256W	258VA / 200W

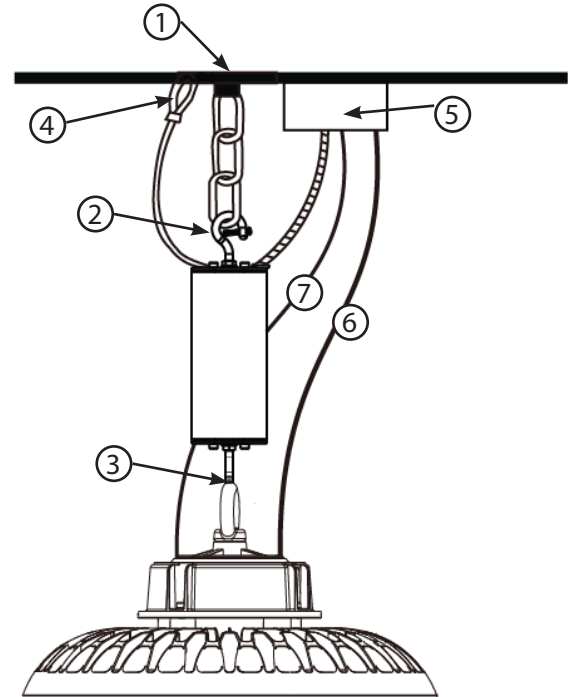
## What's In The Box



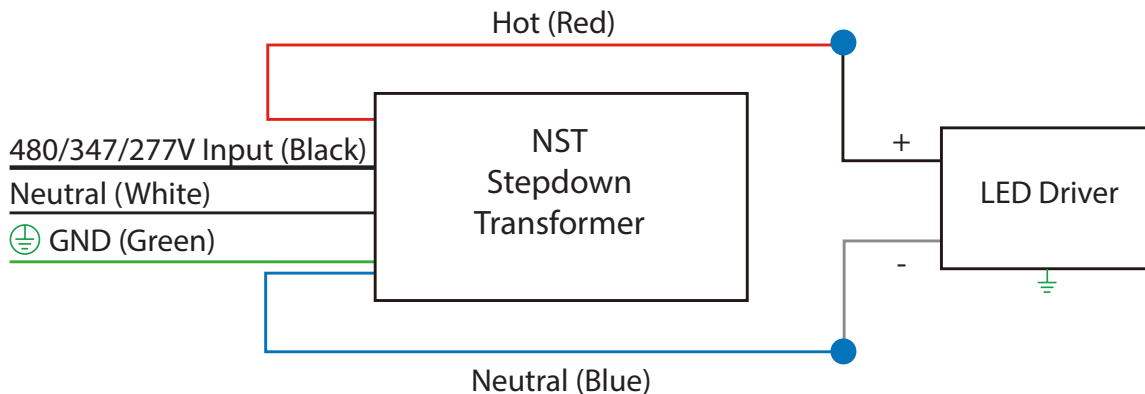
One (1) High Voltage Transformer  
with (2) hanging hooks and (1) safety cable  
preinstalled

### Installation

- 1 • Carefully unpack NST from packaging. Inspect product for defects due to shipping.
  - Turn off power to appropriate circuit at the breaker box.
- 2 **Installation**
  - Select a suitable location on the ceiling for mounting (1).
  - Mount the NST to structure via the top hook (2), wiring facing up. (Mounting system not included)
  - Hang the desired fixture from the hook on the bottom of the NST (3).
  - Attach safety cable of NST to secondary point on the ceiling (4).
- 3 **Wiring**
  - Feed conduit from transformer into junction box (5).
  - Feed fixture power (6) and dimming (7) wires (if needed) into junction box.
  - Connect supply power and fixture power lines to transformer per the wiring diagram.



### Wiring Diagram



Each NICOR product in the following list will be free from defect in materials and workmanship for a period of five (5) years from the date of manufacture as indicated by the date code printed on the product label.

This limited warranty is provided to you, the purchaser of the product identified on Seller's invoice, as your exclusive remedy and applies only to NICOR products that have been purchased from an authorized NICOR Distributor; the product was new and in an unopened NICOR package at the time of installation; and the NICOR product was installed by a licensed electrician or under the supervision of a licensed electrician and used by consumers in the United States or Canada when accompanied with this warranty. This warranty extends only to the first consumer purchaser and is not transferable.

This warranty is further conditioned upon proper storage, installation, use and maintenance. This warranty is not applicable to any Product which is not installed and operated in accordance with the National Electric Code (NEC), the Standards for Safety of Underwriters' Laboratory, Inc. (UL), the Standards for the American National Standards Institute (ANSI), or, in Canada, the Canadian Standards Association (CSA), and in accordance with NICOR installation instructions.

A consumer wishing to invoke the terms of this limited warranty must first obtain a RGA number within 30 days of discovery of the defect and return the product to NICOR for inspection. Once verified to be covered by this limited warranty, NICOR will, at its sole discretion, repair, replace, or refund the purchase price of any product that does not conform to this limited warranty. If NICOR, at its sole discretion, determines that the product should be repaired or replaced, this warranty is limited to the reasonable, customary, and necessary costs and expenses associated with the repair/replacement. This warranty requires that all repair/replacement estimates and costs, including but not limited to equipment rental (if any), and any other cost or expense to be incurred in the repair/replacement of the product, be approved in advance and in writing by NICOR. FAILURE TO OBTAIN NICOR'S ADVANCE WRITTEN APPROVAL OF ALL REPAIR/REPLACEMENT COSTS AND EXPENSES IN WRITING SHALL VOID THIS LIMITED WARRANTY

THIS LIMITED WARRANTY DOES NOT COVER THE FOLLOWING: • Defects or damages resulting from improper installation, operation, storage, misuse or abuse, accident, or neglect; • Defects or damages resulting from improper service, testing, adjustment, installation, maintenance, alteration, connection to out-of-specification electrical service, corrosive or damp environments, or connection to incompatible equipment or devices; • Damage which occurs in transit; • Power surges or overheating due to external conditions • Acts of nature including but not limited to lightning strikes

ANY IMPLIED WARRANTIES, INCLUDING WITHOUT LIMITATION, THE IMPLIED WARRANTIES OF MERCHANTABILITY AND FITNESS FOR A PARTICULAR PURPOSE SHALL BE LIMITED TO THE DURATION OF THIS LIMITED WARRANTY, OTHERWISE THE REPAIR, REPLACEMENT, OR REFUND AS PROVIDED UNDER THIS EXPRESS LIMITED WARRANTY IS THE EXCLUSIVE REMEDY OF THE CONSUMER, AND IS PROVIDED IN LIEU OF ALL OTHER WARRANTIES, EXPRESS OR IMPLIED. IN NO EVENT SHALL NICOR BE LIABLE, WHETHER IN CONTRACT OR IN TORT (INCLUDING NEGLIGENCE) FOR DAMAGES IN EXCESS OF THE PURCHASE PRICE OF THE PRODUCT, OR FOR ANY INDIRECT, INCIDENTAL, SPECIAL OR CONSEQUENTIAL DAMAGES OF ANY KIND, OR LOSS OF REVENUE OR PROFITS, LOSS OF BUSINESS OR OTHER FINANCIAL LOSS ARISING OUT OF OR IN CONNECTION WITH THE ABILITY OR INABILITY TO USE THE PRODUCT TO THE FULL EXTENT THESE DAMAGES MAY BE DISCLAIMED BY LAW.

This device complies with part 15 of the FCC Rules. Operation is subject to the following two conditions: (1) This device may not cause harmful interference, and (2) this device must accept any interference received, including interference that may cause undesired operation.

NOTE: This equipment has been tested and found to comply with the limits for a Class A digital device, pursuant to part 15 of the FCC Rules. These limits are designed to provide reasonable protection against harmful interference when the equipment is operated in a commercial environment. This equipment generates, uses, and can radiate radio frequency energy and, if not installed and used in accordance with the instruction manual, may cause harmful interference to radio communications. Operation of this equipment in a residential area is likely to cause harmful interference in which case the user will be required to correct the interference at his own expense.