

CUSTOMER DRAWING

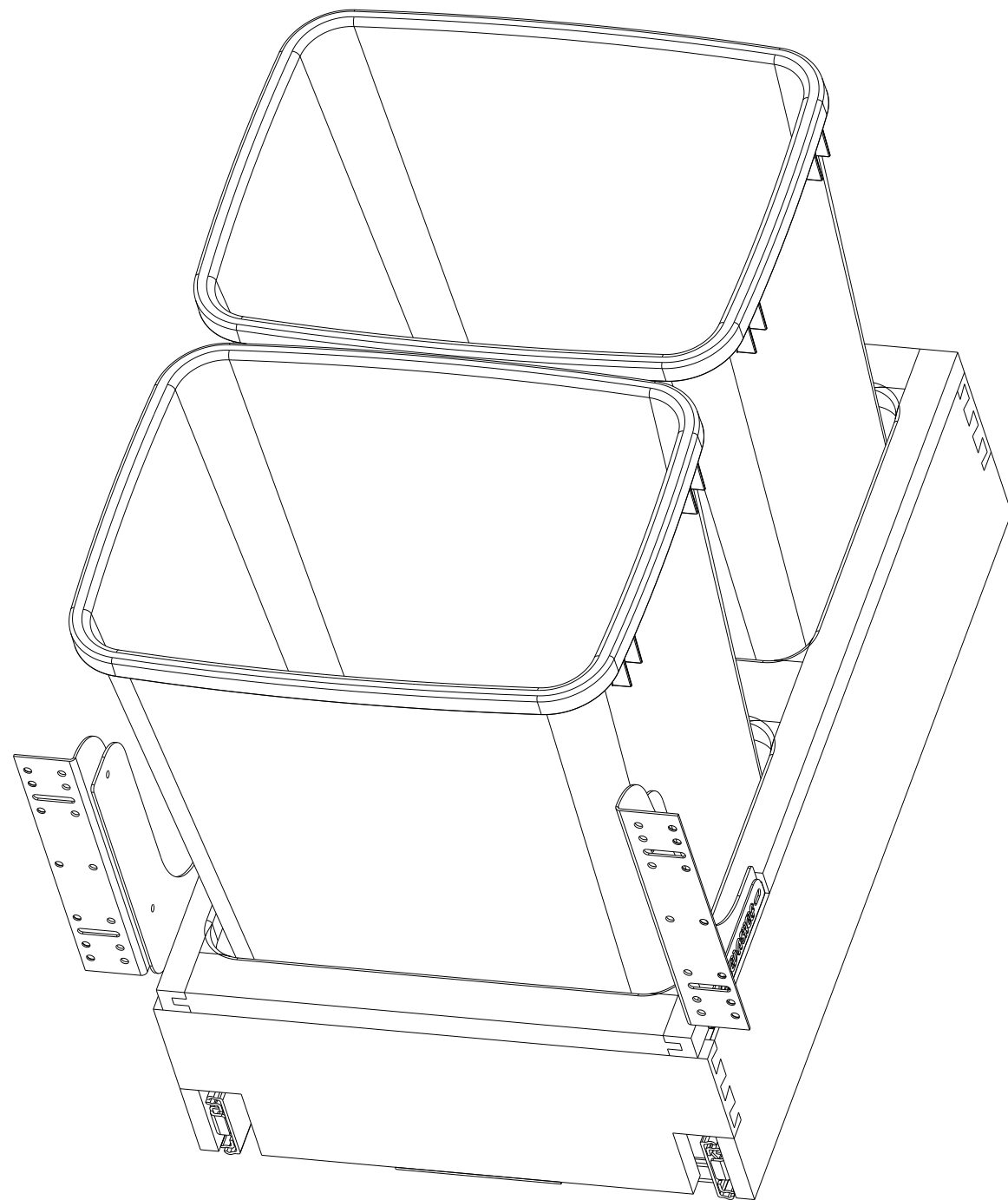
This drawing is the property of Rev-A-Shelf (RAS) and is disclosed in confidence to the extent its subject matter is original to RAS. Any vendor receiving this drawing from RAS shall hold and use this drawing for the sole benefit of RAS and shall not disclose it to, or use or reproduce it for any third party, or perform any act adverse to the interest of RAS with respect to this drawing without the express written permission of RAS. Vendors shall not revise any physical, dimensional or performance characteristic unless authorized by Rev-A-Shelf Engineering.

REV.	DATE	BY	DESCRIPTION OF CHANGE
C	12-19-17	KRR	ECN17-109
B	5/12/10	PFC	ECN10-054
A	3/5/10	KRR	ECN10-025

INCH [MM]	AMERICAN PROJECTION 	DRAWN	BY	DATE	REV-A-SHELF, INC.	
		PFC	PFC	9/18/08		
		MATERIAL		SIZE	WASTE CONTAINER BOTTOM MOUNT DOUBLE 35 QT	
		FINISH		DRAWING NO.	SCALE	
				4WCBM-18DM-B-2	3:16	
				PART NO.	SHEET OF	
				4WCBM-18DM-B-2	1 2	

TOLERANCES
 MAT. DEC.
 (WOOD) .XX ±.03 [.8mm]
 (OTHER) .XX ±.02 [.5mm]
 (ALL) .XXX ±.005 [.13 mm]
 FRACTIONS ±1/32 [.8 mm]

ANGLES
 ±1/2°



PART DIMENSIONS		
	MIN	MAX
WIDTH		14.25
DEPTH		21.65
HEIGHT		19.25
WEIGHT		
DIAMETER		
RADIUS		
CONTAINER CAPACITY	35	
CONTAINER UOM	QUART	

MIN CABINET OPENING				
	FACE FRAME	FRAMELESS	INSET FACE FRAME	INSET FRAMELESS
WIDTH	14.50	14.50	14.50	14.50
DEPTH	21.75	21.75	22.50	22.50
HEIGHT	19.50	19.50	19.50	19.50

SLIDE SPECIFICATIONS				
SLIDE TYPE	BALL BEARING	SLIDE EXTENSION	1 1/2" O.T.	MAX WEIGHT RATING
SLIDE CLOSING	REV-A-MOTION	SLIDE LENGTH	550 MM	
SLIDE MOUNTING		SLIDE FINISH	ZINC	
				150 LB

CUSTOMER DRAWING

This drawing is the property of Rev-A-Shelf (RAS) and is disclosed in confidence to the extent its subject matter is original to RAS. Any vendor receiving this drawing from RAS shall hold and use this drawing for the sole benefit of RAS and shall not disclose it to, or use or reproduce it for any third party, or perform any act adverse to the interest of RAS with respect to this drawing without the express written permission of RAS. Vendors shall not revise any physical, dimensional or performance characteristic unless authorized by Rev-A-Shelf Engineering.

REV.	DATE	BY	DESCRIPTION OF CHANGE
C	12-19-17	KRR	ECN17-109
B	5/12/10	PFC	ECN10-054
A	3/5/10	KRR	ECN10-025

INCH [MM]	AMERICAN PROJECTION	DRAWN	BY	DATE	REV-A-SHELF, Inc.
			PFC	9/18/08	
			MATERIAL	SIZE	WASTE CONTAINER BOTTOM MOUNT DOUBLE 35 QT
			FINISH	DRAWING NO.	
			TOLERANCES		SCALE
			ANGLES		1:4
			DRAWING NO.		SHEET OF
			PART NO.		
			DRAWING NO.		2 2
			PART NO.		

MAT. DEC. (WOOD) .XX ±.03 [.8mm] (OTHER) .XX ±.02 [.5mm] (ALL) .XXX ±.005 [.13 mm] FRACTIONS ±1/32 [.8 mm]