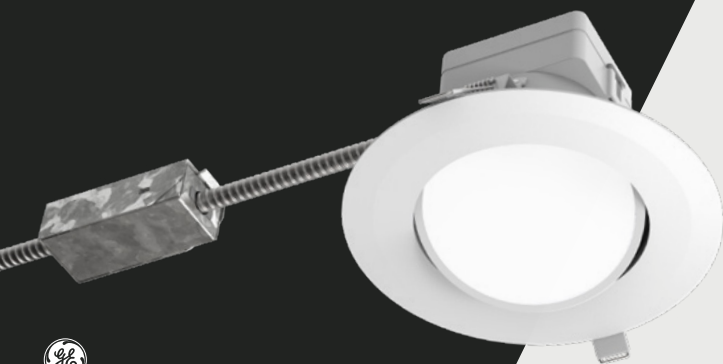


Lumination® LRX Series

LRXG Recessed Gimbal Downlight



CUSTOMER NAME _____

Project Name _____

Date _____ Type _____

Catalog Number _____

The **Lumination®** LRX Gimbal (LRXG) is a directional LED retrofit downlight for commercial ceilings. The LRXG is a flexible solution for both wall wash and downlighting with 360° rotation and 35° tilt. The LRXG can also be used for new construction applications. (see *Installation Guide* for more information)

CONSTRUCTION

Housing:	Aluminum housing
Lens:	Non-conductive polycarbonate
Paint:	White powder painted
Weight:	3.3lbs (1.21kg)
Optical Assembly:	High efficiency reflector and optical diffuser

OPTICAL SYSTEM

Lumens:	1525 - 2000lm
Distribution	Medium Distribution
Efficacy	up to 100 LPW
CCT:	Selectable 2700K, 3000K, 3500K Selectable 3500K, 4000K, 5000K
CRI (Min):	80, 90 (made to order)

ELECTRICAL

Input Voltage:	120-277V
Input Frequency:	50/60Hz
Wattage:	20W
Standard Dimming Control:	0-10V, 10%
Power Factor (PF)*:	> 90%
Total Harmonic Distortion (THD)*:	<20%

* System PF and THD specified at rated watts

CONTROLS

Dimming:	Standard - 0-10V, 10%
Sensors:	Daintree Compatible w/ Controls Kit (see Ordering for additional info)

AMBIENT OPERATING TEMPERATURE

Product ID	Operating Temperature
LRXG	-10° TO +40° C

LUMEN MAINTENANCE

Projected Lxx per IES TM-21 at max 25°C

LXX @ Hours
60,000 HR
L85

MOUNTING

- Retrofit to existing frame
- New Construction, utilizing FRAME6R option

DESIGN LIFE & WARRANTY

- Damp Location rated
- **Current's ENERGY STAR® Limited 5-year Warranty:**
Please refer to IND499 in Product Downloads section at:
<https://products.gecurrent.com/sites/products.currentbyge.com/documentlibrary>

Lumination® LRX Series

LRXG Recessed Gimbal Downlight

Catalog Logic and Spec Tables

CUSTOMER NAME

Project Name _____

Date _____ Type _____

Catalog Number _____

LRXG

R6

2W

MD

FAMILY	FIXTURE WIDTH	Lumens & Distribution	CRI	CCT	DIMMING	OPTIONS
LRXG = Lumination® RX Series Gimbal Downlight	R6 = 6" Round Retrofit Downlight	2W = 2000lm Wide Flood	8 = 80 CRI 9' = 90 CRI	30 = 2700K/3000K/3500K 35 = 3500K/4000K/5000K	MD = 0-10V, 10%	Blank = None

¹ 90 CRI is available as a Made-To-Order (MTO) option, which requires a minimum order quantity and has an extended lead time. Contact manufacturer for quote.

NOTE:

Fixture is field configurable for three different CCT levels.

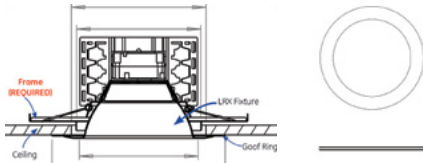
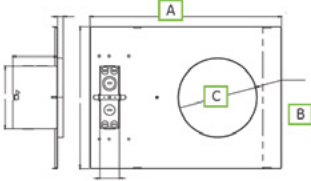
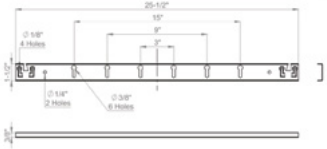
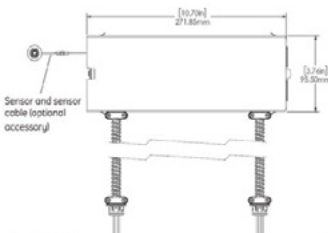
30 = 2700K/3000K/3500K

Default switch position = 3000K

35 = 3500K/4000K/5000K

Default switch position = 4000K

ACCESSORIES

	SKU	Specs	
Goof Ring 	93114518	Suitable Frame Frame Hole Size Ring Inner/Outer Dimension Ceiling Hole MIN/MAX Description An essential accessory which covers openings in a ceiling and blends aesthetically into the LRXG.	12.6in(320mm) x 7.64in (194mm) x 3.54in (90mm) 5.91in-6.5in 6.18in / 9in 6.5in / 8.6in
New Construction Frame Kit 	93025091	Dimension A Dimension B Dimension C Notes Converts the LRXG to a new construction downlight with the use of the frame kit.	15.35in (390mm) 11.34in (288mm) 6.27in (159.30mm)
Hanger Bars 	931103066	Dimensions Notes Support hanger bars, compatible with a frame kit (above). 2 hanger bars per box (boxed pair).	25.5in (647.7mm) x 1.5in (38.1mm) x 0.375in (9.5mm)
Controls Accessory Kits 	93057194 93038296 93095787	LCA Kit with LG Controller LCA Kit with WFA Controller LCA Kit with Interface Module	Provides Daintree Wireless Controls compatibility. Does not include sensor. Installation is not integral to the downlight. Includes LG Controls Module. Provides Daintree Wireless Controls compatibility. Does not include sensor. Installation is not integral to the downlight. Includes Daintree WFA Controller. Provides Daintree Wireless Controls compatibility. Does not include sensor. Installation is not integral to the downlight. Includes Daintree Interface Module.

Lumination® LRX Series

LRXG Recessed Gimbal Downlight

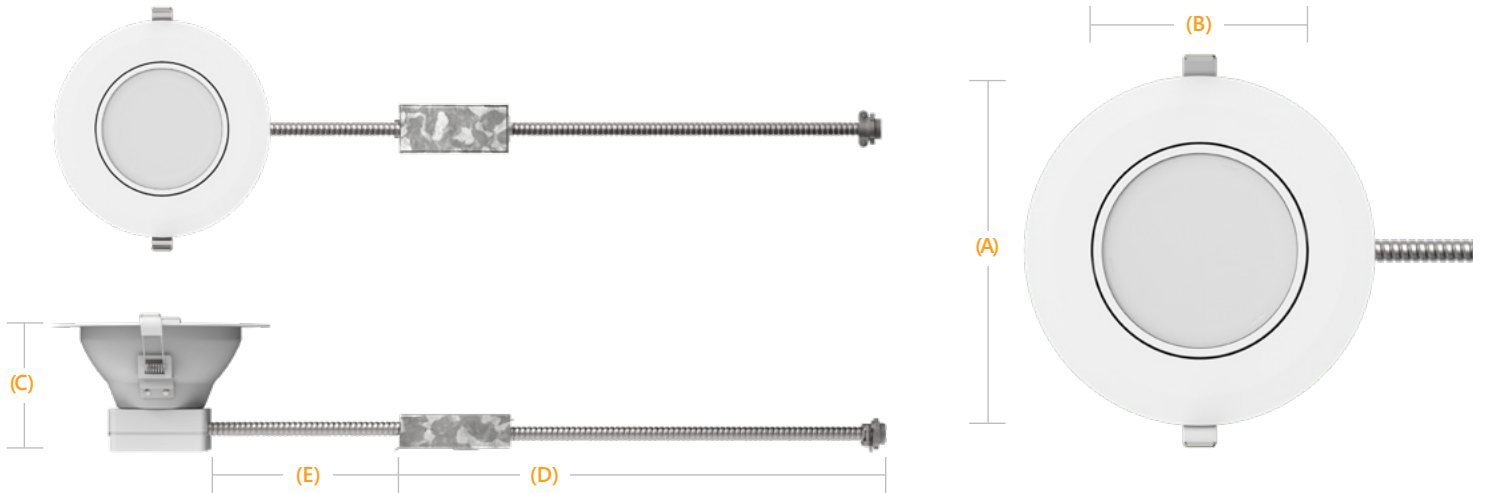
Dimensions

CUSTOMER NAME

Project Name _____

Date _____ Type _____

Catalog Number _____



Fixture Type	Diameter (A)	Diameter (B)	Depth (C)	Whip Length (D)	Length (E)
LRX-G	7.75in (196.8mm)	5.7in (144.8mm)	4.5in (114.2mm)	24in (609.6mm)	6in (152.4mm)

For Additional Information or Product Technical Questions:
lightingproinfo@gecurrent.com

Lumination® LRX Series

LRXG Recessed Gimbal Downlight

Photometrics

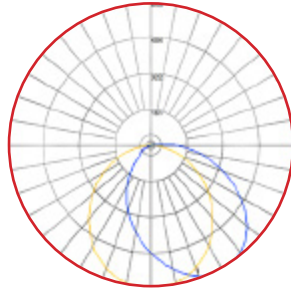
CUSTOMER NAME

Project Name _____

Date _____ Type _____

Catalog Number _____

**LRXG
80CRI**
2700K/3000K/3500K
1650/1850/1850 LM
LRXGR62W830MD.IES
LRXGR62W830MD_TILT.IES

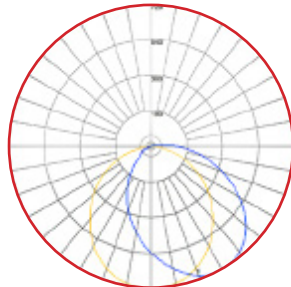


Max Candela = 634.9 Max Candela = 644.8
— Horizontal plane through horizontal angles (0-180) (Through Max Cd.)
— 35° Tilt. Vertical plane through horizontal angles (0-180) (Through Max Cd.)

ZONE	LUMENS 0° TILT	LUMENS 35° TILT
0-10	59.89	45.70
10-20	169.77	131.61
20-30	251.69	200.45
30-40	294.25	240.42
40-50	294.74	245.65
50-60	257.61	220.28
60-70	190.72	173.66
70-80	105.33	116.01
80-90	24.07	61.80

ZONE	0° TILT		35° TILT	
	LUMENS	% FIXTURE	LUMENS	% FIXTURE
0-20	229.67	13.90	177.31	12.20
0-30	481.35	29.20	377.76	26.10
0-40	775.60	47.00	618.19	42.60
0-60	1327.95	80.50	1084.11	74.80
0-80	1623.99	98.40	1373.79	94.70
0-90	1648.06	99.90	1435.59	99.00
10-90	1588.17	96.30	1389.89	95.90
20-40	545.94	33.10	440.87	30.40
20-50	840.67	50.90	686.52	47.30
40-70	743.06	45.00	639.59	44.10
60-80	296.05	17.90	289.68	20.00
70-80	105.33	6.40	116.01	8.00
80-90	24.07	1.50	61.80	4.30
0-180	1649.99	100	1450.01	100.00

**LRXG
80CRI**
3500K/4000K/5000K
1850/2000/1950 LM
LRXGR62W835MD.IES
LRXGR62W835MD_TILT.IES

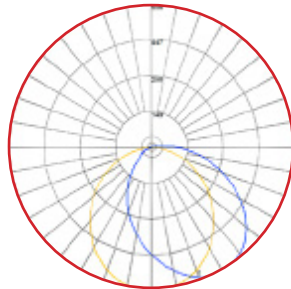


Max Candela = 634.9 Max Candela = 720.4
— Horizontal plane through horizontal angles (0-180) (Through Max Cd.)
— 35° Tilt. Vertical plane through horizontal angles (0-180) (Through Max Cd.)

ZONE	LUMENS 0° TILT	LUMENS 35° TILT
0-10	67.15	51.06
10-20	190.09	147.04
20-30	281.79	223.95
30-40	329.54	268.61
40-50	329.64	274.45
50-60	287.48	246.11
60-70	213.32	194.02
70-80	119.93	129.62
80-90	28.91	69.04

ZONE	0° TILT		35° TILT	
	LUMENS	% Fixture	LUMENS	% FIXTURE
0-20	257.23	13.9	198.10	12.20
0-30	539.01	29.10	422.05	26.10
0-40	868.55	46.90	690.66	42.60
0-60	1485.66	80.30	1211.21	74.80
0-80	1818.91	98.30	1534.86	94.70
0-90	1847.82	99.90	1603.9	99.00
10-90	1780.68	96.30	1552.84	95.90
20-40	611.32	33.00	492.56	30.40
20-50	940.96	50.90	767.01	47.30
40-70	830.43	44.90	714.57	44.10
60-80	333.25	18.00	323.64	20.00
70-80	119.93	6.50	129.62	8.00
80-90	28.91	1.60	69.04	4.39
0-180	1850.00	100	1620.06	100.00

**LRXG
90CRI**
2700K/3000K/3500K
1525LM/1670LM/1600LM
LRXGR62W930MD.IES
LRXGR62W930MD_TILT.IES

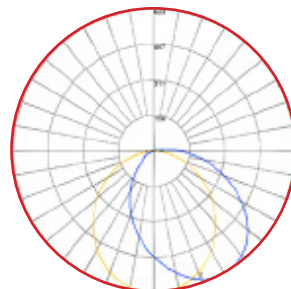


Max Candela = 634.9 Max Candela = 595.9
— Horizontal plane through horizontal angles (0-180) (Through Max Cd.)
— 35° Tilt. Vertical plane through horizontal angles (0-180) (Through Max Cd.)

ZONE	LUMENS 0° TILT	LUMENS 35° TILT
0-10	55.76	42.24
10-20	157.79	121.63
20-30	233.61	185.24
30-40	272.72	222.18
40-50	272.63	227.01
50-60	237.55	203.57
60-70	175.27	160.49
70-80	96.38	107.21
80-90	21.51	57.11

ZONE	0° TILT		35° TILT	
	LUMENS	% FIXTURE	LUMENS	% FIXTURE
0-20	213.55	14.00	163.86	12.20
0-30	447.15	29.30	349.10	26.10
0-40	719.87	47.20	571.29	42.60
0-60	1230.06	80.70	1001.87	74.80
0-80	1501.71	98.50	1269.57	94.70
0-90	1523.22	99.90	1326.68	99.00
10-90	1467.47	96.20	1284.44	95.90
20-40	506.32	33.20	407.43	30.40
20-50	778.96	51.10	634.44	47.30
40-70	685.46	44.90	591.07	44.10
60-80	271.65	17.80	267.70	20.00
70-80	96.38	6.30	107.21	8.00
80-90	21.51	1.40	57.11	4.30
0-180	1525.02	100	1340.03	100.00

**LRXG
90CRI**
3500K/4000K/5000K
1600LM/1770LM/1700LM
LRXGR62W935MD.IES
LRXGR62W935MD_TILT.IES



Max Candela = 616.2 Max Candela = 622.6
— Horizontal plane through horizontal angles (0-180) (Through Max Cd.)
— 35° Tilt. Vertical plane through horizontal angles (0-180) (Through Max Cd.)

ZONE	LUMENS 0° TILT	LUMENS 35° TILT
0-10	58.18	44.13
10-20	164.79	127.07
20-30	244.06	193.54
30-40	285.03	232.13
40-50	285.07	237.18
50-60	248.62	212.68
60-70	184.20	167.67
70-80	103.19	112.01
80-90	24.95	59.67

ZONE	0° TILT		35° TILT	
	LUMENS	% Fixture	LUMENS	% FIXTURE
0-20	222.97	13.90	171.20	12.20
0-30	467.03	29.20	364.74	26.10
0-40	752.06	47.00	596.87	42.60
0-60	1285.75	80.40	1046.73	74.80
0-80	1573.14	98.30	1326.42	94.70
0-90	1598.09	99.90	1386.08	99.00
10-90	1539.91	96.20	1341.96	95.90
20-40	529.09	33.10	425.67	30.40
20-50	814.16	50.90	662.84	47.30
40-70	717.89	44.90	617.53	44.10
60-80	287.39	18.00	279.69	20.00
70-80	103.19	6.40	112.01	8.00
80-90	24.95	1.60	59.67	4.30
0-180	1600.02	100	1400.06	100.00