

TGLS

Select LED Backlit Troffer

Product Description

The TGLS is a contractor grade Troffer that will exceed quality and performance for most commercial spaces. The TGLS LED Troffer features a pre-mounted driver and a maintenance-free, fully sealed chamber with seamless aluminum frame to keep bugs and dust out. The fixture utilizes a precision-engineered, textured diffuser to deliver maximum lumen output and optimal uniformity without revealing hot spots or shadowing. Offering CCT selection with the choice of 3500K, 4000K, or 5000K CCT with DLC 5.1 Standard certification, ensuring top of the line quality and performance, the TGLS is the perfect lighting solution for offices, hospitals, and other commercial spaces.

Construction

- Extruded aluminum frame with powder coat finish
- Durable stamped housing
- High efficiency, maintenance-free LED chamber
- Smooth formed sides for safe handling

Optical System

- Patented internal optical system
- Precision engineered polystyrene diffuser
- High reflectivity internal coating
- No visible diodes, hot-spots, or shadows providing high uniformity, and reduced glare
- 80 CRI for good color definition in public places

Electrical

- Input voltage of 120-277VAC
- CCT selector switch accessible on junction box
- Full-range dimming via 1-10VDC controls
- Power factor > 0.9
- THD < 20%
- Luminaire surge protection level: designed to withstand up to 2.5kV ring wave per ANSI C82.77-5-2017 requirements for Indoor Hard-wired and Indoor Portable Luminaires
- Operating temperature range: 4°F to 104°F (-20° to 40°C)

Mounting and installation

- Single cover plate with access to both line and low voltage connections
- Emergency battery backup available
- Integral grid tie clips with wire holes provided for seismic requirements
- Surface mount installation with an optional adapter
- Drywall installation with an optional adaptor
- For installations where power surge may be possible, NICOR recommends installing additional surge protection at the fixture or electrical distribution panel

Listings

- cETLus 1598 Listed for damp locations
- Certified for direct contact with insulation (IC)
- DLC 5.1 Standard listed
- RoHS Compliant
- Meets FCC Part 15, Subpart B, Class A standards for conducted and radiated emissions
- TM-21 Reported L70(9k) life >54,000 hours
- LM-79, LM-80 testing performed in accordance with IESNA standards

Warranty

- 5-year limited system warranty standard
- Warranty does not cover product failure due to an overvoltage event (power surge.)

Project

Catalog

Type

Date



TGLS
LED Backlit Troffer
2x2, 2x4
Selectable CCT



Ordering

Ordering Information

Example: TGLS122U

Series	Size	Voltage	EM (Optional)
TGLS1	22 (2 x 2)	U (120-277V)	E1 (EMB045)
	24 (2 x 4)		E2 (EMB080)

Specifications and dimensions subject to change without notice.

Accessories

Surface Mount Kit - 2x2	TPE10SK22
Surface Mount Kit for use with E1/E2 - 2x2	SK22M10WH
Flange Kit - 2x2	TPE10FK22
Surface Mount Kit - 2x4	TPE10SK24
Surface Mount Kit for use with E1/E2 - 2x4	SK24M10WH
Flange Kit - 2x4	TPE10FK24

Recommended Dimmers*

Lutron NTSTV
Lutron DVSTV
Cooper SF10P
Legrand RH4FBL3PW

*Not a complete list.

Check compatibility before installation.

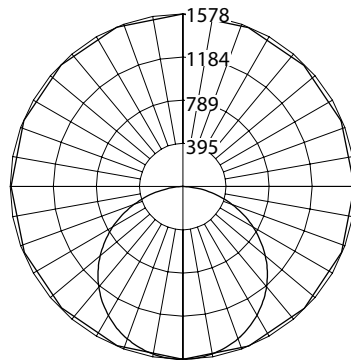
Photometric Data

Model	Performance Data				Emergency Pack Performance Data	
	Nominal CCT	Lumens	Watts	Efficiency	E1 Lumens	E2 Lumens
TGLS122U	3500	4681	41.0	114	514	913
	4000	4845		118	532	945
	5000	4779		117	525	932
TGLS124U	3500	5513	49.1	112	505	898
	4000	5706		116	523	930
	5000	5629		115	516	917

Photometric Data

TGLS122 3500K

Input Voltage (VAC)	120-277
System Level Power (W)	41.0
Delivered Lumens (Lm)	4681
System Efficacy (Lm/W)	114.2
Correlated Color Temp (K)	3487
Color Rendering Index (CRI)	83
Beam Angle (0)	116.2
Beam Angle (90)	114.8
Spacing Criteria (0)	1.26
Spacing Criteria (90)	1.30



Cone of Light Tabulation

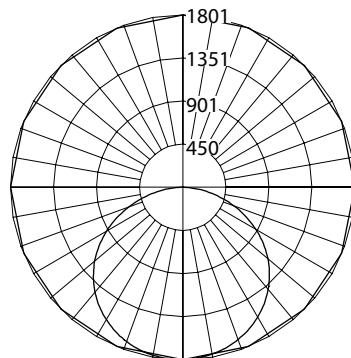
Mounted height (Feet)	Footcandles Beam Center	Diameter (Feet)
8	24.4	25.7
10	15.6	32.1
12	10.8	38.6
14	7.9	45.0

Data Multiplier

TGLS122U	
3500K	1.000
4000K	1.035
5000K	1.021

TGLS124 3500K

Input Voltage (VAC)	120-277
System Level Power (W)	49.1
Delivered Lumens (Lm)	5513
System Efficacy (Lm/W)	112.3
Correlated Color Temp (K)	3512
Color Rendering Index (CRI)	82
Beam Angle (0)	115.6
Beam Angle (90)	120.6
Spacing Criteria (0)	1.32
Spacing Criteria (90)	1.30



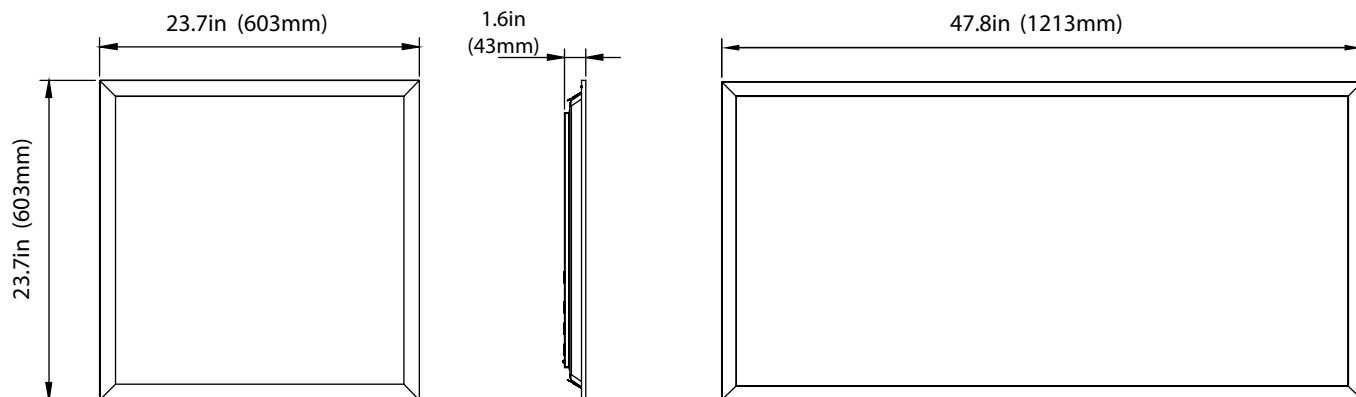
Cone of Light Tabulation

Mounted height (Feet)	Footcandles Beam Center	Diameter (Feet)
8	28.1	25.4
10	17.9	31.8
12	12.4	38.1
14	9.1	44.5

Data Multiplier

TGLS124U	
3500K	1.00
4000K	1.035
5000K	1.021

Dimensions



Specifications and dimensions subject to change without notice.

This device complies with part 15 of the FCC Rules. Operation is subject to the following two conditions: (1) This device may not cause harmful interference, and (2) this device must accept any interference received, including interference that may cause undesired operation.

NOTE: This equipment has been tested and found to comply with the limits for a Class A digital device, pursuant to part 15 of the FCC Rules. These limits are designed to provide reasonable protection against harmful interference when the equipment is operated in a commercial environment. This equipment generates, uses, and can radiate radio frequency energy and, if not installed and used in accordance with the instruction manual, may cause harmful interference to radio communications. Operation of this equipment in a residential area is likely to cause harmful interference in which case the user will be required to correct the interference at his own expense.