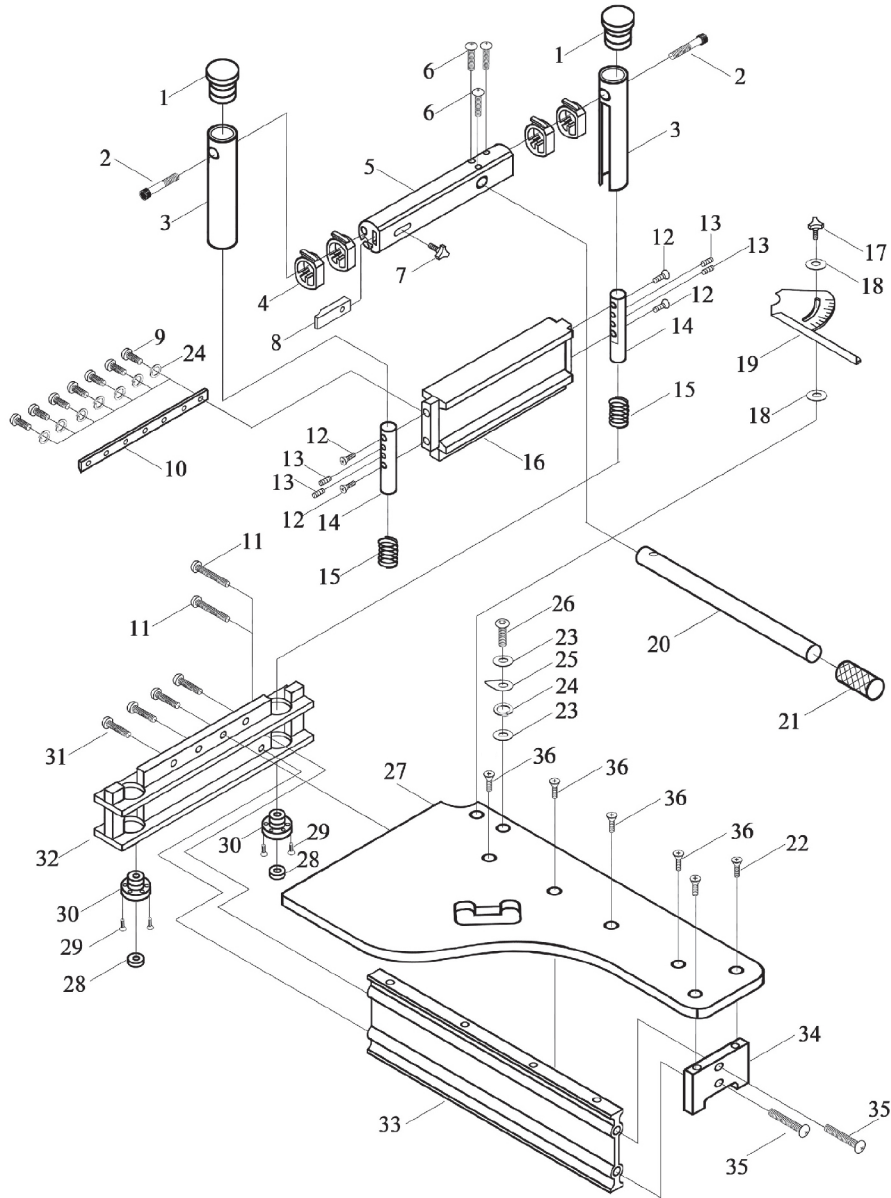


10-63

13" Multi-Floor Cutter



REPLACEMENT PARTS LIST

Part #	Description
1	Plastic End Cap
2	Cap Screw
3	Guide Sleeve
10-63-4	Cam

Part #	Description
5	Camshaft
6	Round HD Allen Screw
7	Stop Knob
8	Stop Block

REPLACEMENT PARTS LIST

Part #	Description
9	Round HD Allen Screw
10	13" HSS Blade
11	Pan HD Screw
12	Countersunk Screw
13	Set Screw
14	Guiding Rod
15	Spring
16	Upper Body
10-63-17	Knob
10-63-18	Washer
10-63-19	Angle Gauge
10-63-20	Handle
10-63-21	Handle Grip
22	Countersunk HD Screw

Part #	Description
23	Washer
24	Spring Washer
25	Angle Pointer
26	Round HD Allen Screw
27	Work Table
28	Rubber Foot
29	Countersunk HD Screw
30	Adjustable Plate
31	Pan HD Screw
32	Lower Body
33	Work Table Support
34	Work Table Foot
35	Round HD Phillips Screw
36	Countersunk HD Screw