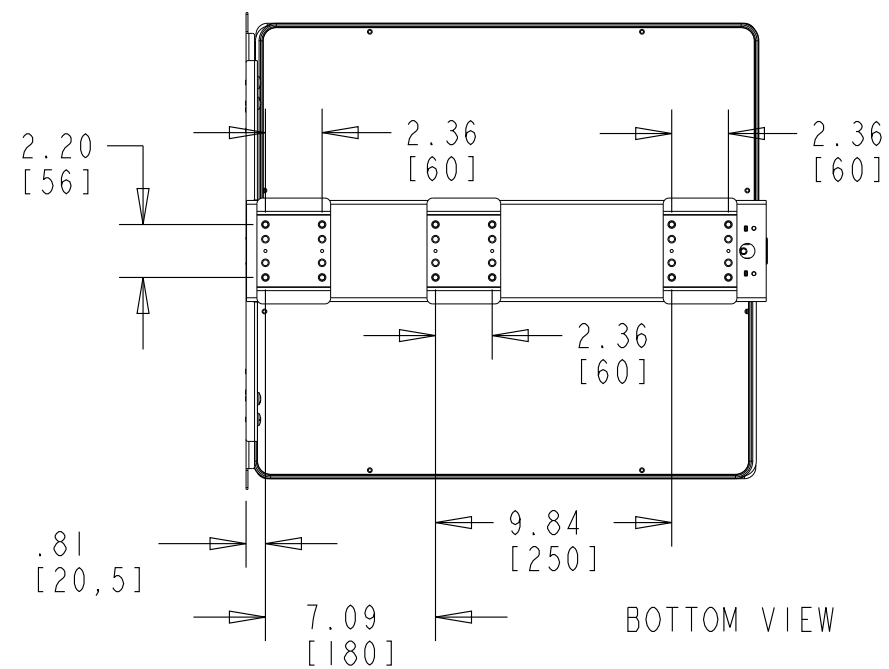


TOP VIEW



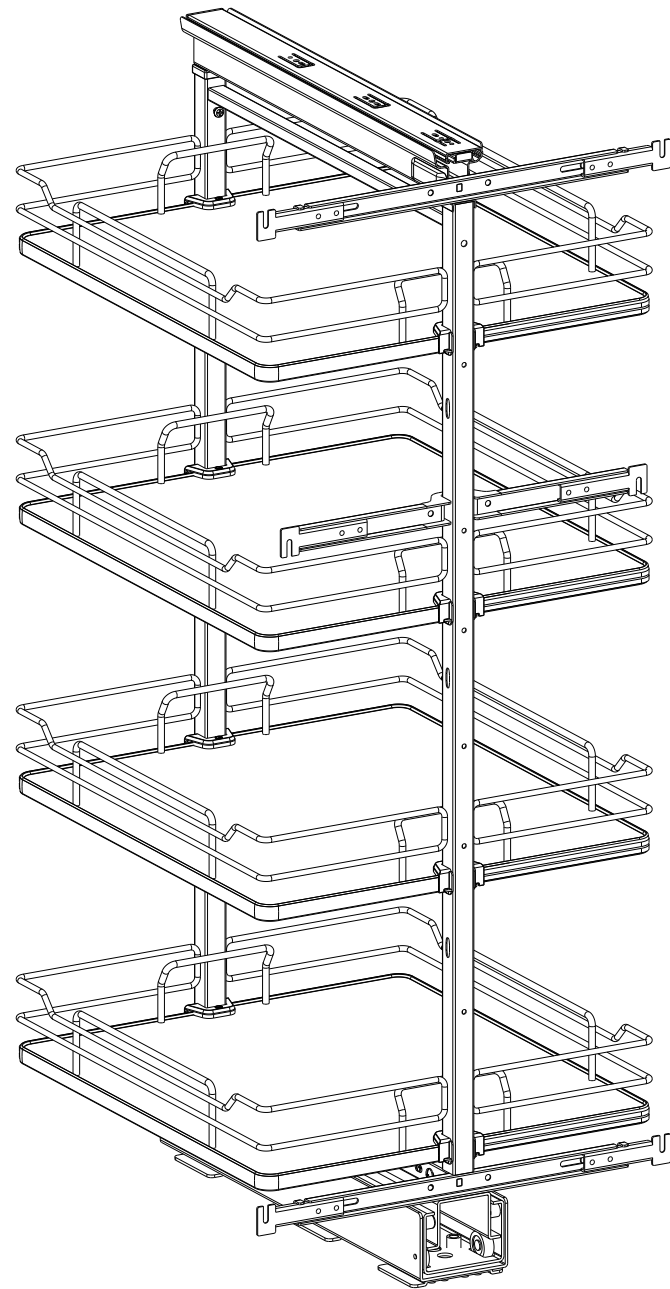
BOTTOM VIEW

CUSTOMER DRAWING

This drawing is the property of Rev-A-Shelf (RAS) and is disclosed in confidence to the extent its subject matter is original to RAS. Any vendor receiving this drawing from RAS shall hold and use this drawing for the sole benefit of RAS and shall not disclose it to, or use or reproduce it for any third party, or perform any act adverse to the interest of RAS with respect to this drawing without the express written permission of RAS. Vendors shall not revise any physical, dimensional or performance characteristic unless authorized by Rev-A-Shelf Engineering.

REV.	DATE	BY	DESCRIPTION OF CHANGE
A	11-10-23	KRR	UPDATED MCO

INCH [MM]	AMERICAN PROJECTION	BY	DATE	REV-A-SHELF, INC.	
		DRAWN	KRR	4-9-18	SIZE
TOLERANCES				MATERIAL	DRAWING NO.
MAT. DEC. (WOOD) .XX ±.03 [.8mm]				FINISH	5350-19-XX
(OTHER) .XX ±.02 [.5mm]					PART NO.
(ALL) .XXX ±.005 [.13 mm]				SCALE	
FRACTIONS ±1/32 [.8 mm]				0.125	
				SHEET OF	
				1 2	



PART DIMENSIONS		
	MIN	MAX
WIDTH	19.00 [483]	19.87 [505]
DEPTH	21.72 [551,7]	
HEIGHT	50.75 [1289]	58.28 [1480]

MIN CABINET OPENING				
	FACE FRAME	FRAMELESS	INSET FACE FRAME	INSET FRAMELESS
WIDTH	19.50 [495]	19.50 [495]	19.50 [495]	19.50 [495]
DEPTH	21.75 [552,5]	21.75 [552,5]	22.50 [571,5]	22.50 [571,5]
HEIGHT	50.75 [1289]	50.75 [1289]	50.75 [1289]	50.75 [1289]

SLIDE SPECIFICATIONS				
SLIDE TYPE	HEAVY DUTY	SLIDE EXTENSION	20.87 [530]	MAX WEIGHT RATING
SLIDE CLOSING	SOFT CLOSE	SLIDE LENGTH	21.65 [550]	
SLIDE MOUNTING	BOTTOM	SLIDE FINISH	ZINC	250 LB

CUSTOMER DRAWING

This drawing is the property of Rev-A-Shelf (RAS) and is disclosed in confidence to the extent its subject matter is original to RAS. Any vendor receiving this drawing from RAS shall hold and use this drawing for the sole benefit of RAS and shall not disclose it to, or use or reproduce it for any third party, or perform any act adverse to the interest of RAS with respect to this drawing without the express written permission of RAS. Vendors shall not revise any physical, dimensional or performance characteristic unless authorized by Rev-A-Shelf Engineering.

REV.	DATE	BY	DESCRIPTION OF CHANGE
A	11-10-23	KRR	UPDATED MCO

INCH [MM] 	AMERICAN PROJECTION	DRAWN	BY	DATE	
			KRR	4-9-18	
TOLERANCES MAT. DEC. (WOOD) .XX ±.03 [.8mm] (OTHER) .XX ±.02 [.5mm] (ALL) .XXX ±.005 [.13 mm] FRACTIONS ±1/32 [.8 mm]		ANGLES ±1/2°	MATERIAL	DRAWING NO.	SCALE
			FINISH	5350-19-XX	0.125
				PART NO.	SHEET OF
				5350-19-XX	2 OF 2