

Tresco's® PowerSync is a **smart led driver** that provides both centralized and independent control of linked sensors and lights. This offers integration for diverse applications.

PowerSync is available in 36W, 60W, 96W and 24W as special order only. This instruction sheet is specifically for the 24W and 36W PowerSync models.

Multiple Ports:

The 24W and 36W PowerSync features eight built-in ports.

PowerSync provides six **3-Amp ports** for linked lights and sensors. See *figure #1*.

In addition, there are two **Centralized Control Ports** (pink-colored ports) for centralized control of wired sensors and controls as shown on *figure #1*.

**** WARNING:** Using more than 1 controller / receiver (PSCTL or PSWLS) on the pink central control ports of this power supply will damage the units and void manufacturer's warranty.

Link Multiple PowerSyncs:

The **Centralized Control Ports** can link up to 20 PowerSync drivers in series, not to exceed 720W max. This allows one set of controls for all linked power supplies in a series, and eliminates the need for duplicate controls providing lower cost and easier operation. See *figure #2*.

LED Overload Indicator:

The indicator light stays GREEN when the correct wattage load is being used

WARNING: When the power supply is overloaded, indicator light turns RED warning possible damage to the LED driver with high temperature and shortened product life.

Models:

24W 12VDC PowerSync Plug-in Power Supply L-PSPLG-12V24W-1
special order only (2" d x 7" w x 5/8" ht)
with 6-port AMP connector (provided)

24W 24VDC PowerSync Plug-in Power Supply L-PSPLG-24V24W-1
special order only (2" d x 7" w x 5/8" ht)
with Barrel to MINI connector (provided)

36W 12VDC PowerSync Plug-in Power Supply L-PSPLG-12V36W-1
(2" d x 7" w x 5/8" ht) with 6-port AMP connector (provided)

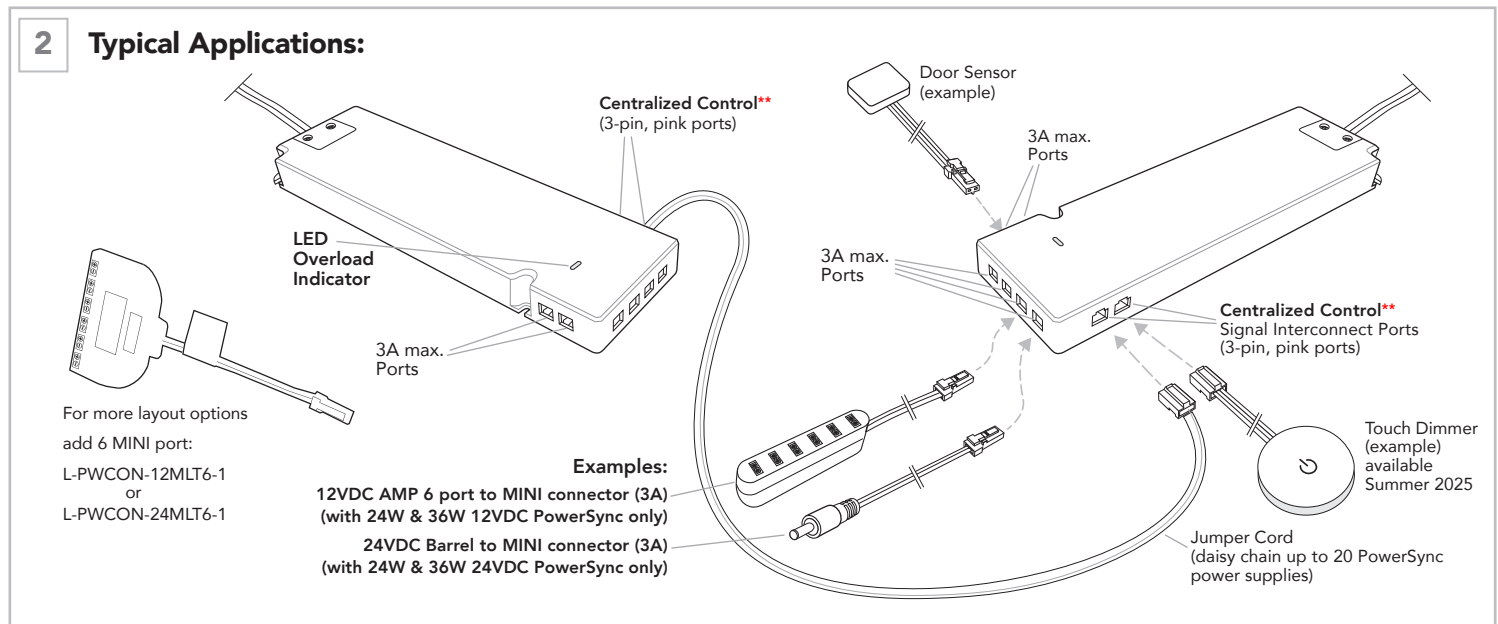
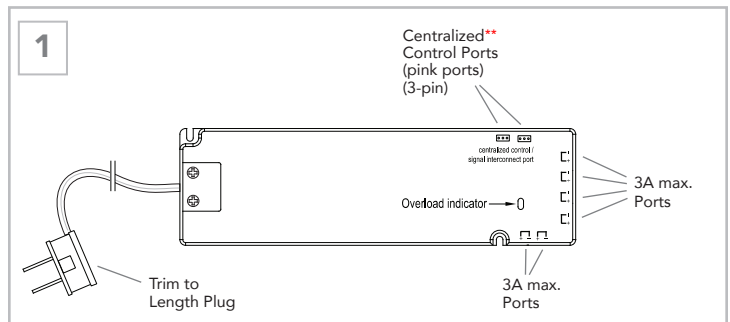
36W 24VDC PowerSync Plug-in Power Supply L-PSPLG-24V36W-1
(2" d x 7" w x 5/8" ht) with Barrel to MINI connector (provided)

Accessories: (sold separately)

AMP to MINI connector linking cable (12VDC) L-PWADP-12N20-1
Barrel to MINI connector linking cable (24VDC) L-PWADP-24N20-1

Tresco® FREEDiM Compatible

New Dimmer and Switches coming soon



READ ALL INSTRUCTIONS BEFORE INSTALLING SYSTEM.

Before beginning installation, be sure power is turned OFF to light system.

Tools required:



Pencil



Screwdriver



Drill

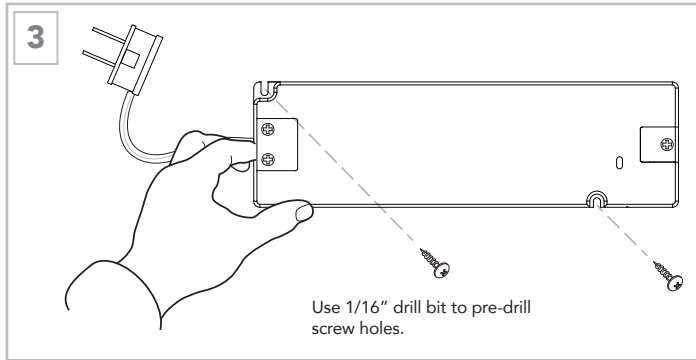


1/16" bit

Installing PowerSync:

Roughly lay out the lighting system before installation to verify final positioning of all components.

When mounting the power supply keep it in an accessible location (see Important Safety Instructions).



Installation Steps:

1. Mark two holes to drill using the PowerSync as a template. Drill the two holes into a structurally sound, heat-resistant surface. Use 1/16" drill bit.
 2. Mount the PowerSync with the 2 screws provided. See figure #3.
 3. Use the **Trim to Length Plug** provided to shorten the length of the 120V power cord as needed. See steps in figure #4.
- Do not plug power cord into the 120V power source yet.
 - Use insulated staples and/or plastic ties to secure ALL cords throughout the installation.

Linking Cables:

PowerSync's 12VDC system utilizes **black** linking cables and connectors, while the 24VDC system utilizes **white** linking cables and connectors.

For linking legacy 12VDC lights the 24W & 36W use a black MINI connector to AMP 6 port block (P/N: L-PWADP-12N2O-MLT6-1)

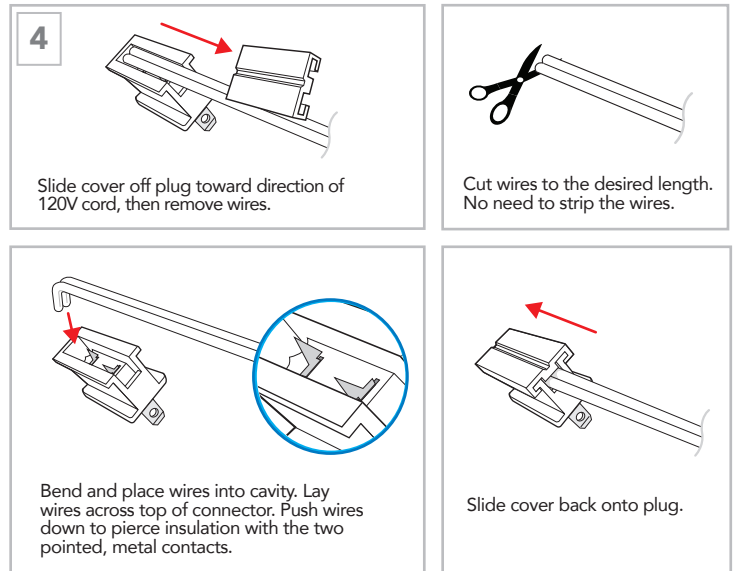
For linking legacy 24VDC lights the 24W & 36W use a white MINI connector to Barrel (P/N: L-PWADP-24N2O-1)

Final Steps:

- Complete wiring installation of components to PowerSync power supply.
- Double-check all wiring and components. Turn power on to PowerSync.

Trim to Length Plug: shorten the 120V power cord as needed.

**** Unplug the power cord before cutting ****



IMPORTANT SAFETY INSTRUCTIONS

CAUTION: To reduce the risk of fire, electric shock, or injury to persons:

- Before beginning installation, be sure power is turned OFF to the power supply and light system.
- **Warning:** All wiring must be in accordance with national and local electrical codes, low-voltage Class 2 circuit. The Power Supply is to be mounted and wired in accordance with Article 450 of the National Electric Code (NEC). Failure to install the Power Supply and light fixture in compliance with applicable codes and regulations may cause serious personal injury, death and/or major property damage.
- Do not conceal the Power Supply inside a wall, ceiling, soffit, or similar permanent structure. The unit must be accessible.
- Never install a Power Supply face down or resting on its side. For a bank of multiple Power Supplies, mount the units with spacing at least equal to the width of one unit. The Power Supply must be installed in a well-ventilated area free from explosive gases and vapors. Do not install in an airtight, boxed-in structure. The Power Supply is cooled by circulating air and by mounting the unit flush to a surface to allow for heat transfer. Operate the Power Supply at cooler surrounding air temperatures to extend the life of the unit.
- Operate only within the specified ambient temperature range of -20°C (-4°F) to 60°C (140°F).
- Do not conceal the line voltage input cord inside a wall, ceiling, soffit, or similar permanent structure. This requirement does not apply to the 24VDC wiring between the Power Supply and the cabinet light system. For low voltage wire runs inside a wall, ceiling, soffit, or similar permanent structure, use CL2 or better cabling.
- Do not install low-voltage Class 2 wiring along the same run as AC line voltage. If the line voltage and low-voltage wires need to cross, keep them at 90° angles.
- Use only insulated staples or plastic ties to secure ALL loose wires.
- Route and secure wires so that they will not be pinched or damaged when the cabinet is pushed to the wall.
- This unit can be mounted in any orientation, horizontal or vertical.
- Power Supply provides shut down protection against short circuit, over loading, and over temperature.
- Intended for dry or damp locations only. Not intended for wet locations.
- Not intended for recessed installation in ceilings or soffits.
- If any modification is made to the Power Supply, it will invalidate the warranty and may render the product unsafe.

Save these instructions for future reference.

For technical assistance, call 1-800-227-1171

tresco lighting



Tresco® Lighting

12400 Earl Jones Way
Louisville, KY 40299

Tel: 800-227-1171

Fax: 502-491-2215

Email: cservice@trescolighting.com

Web: www.trescolighting.com

L-PSPLG-24W36W-0326