

12201-LED-ICAT

2" LED New Construction Air Tight Housing

Project _____

Catalog _____

Type _____

Date _____

Product Description

The 12201-LED features IDEAL connections that allows for quick, snap-in connection of NICOR® 2" D-series LED downlights. Suitable for new construction in residential and commercial applications.

Housing

- Galvanized steel plaster frame with J-Box and captive hanger bars
- Triac dimmable LED driver is mounted directly to housing
- Only compatible with NICOR's 2" LED downlights: Available in round smooth, round baffle, square smooth, square baffle, adjustable gimbal and adjustable square
- 3 1/2" height allows use in 2" x 6" joist construction

Plaster Frame

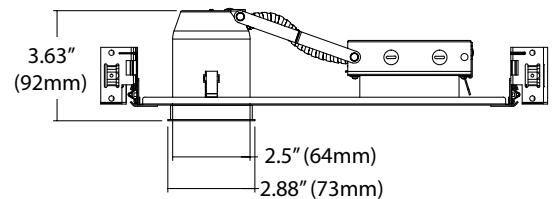
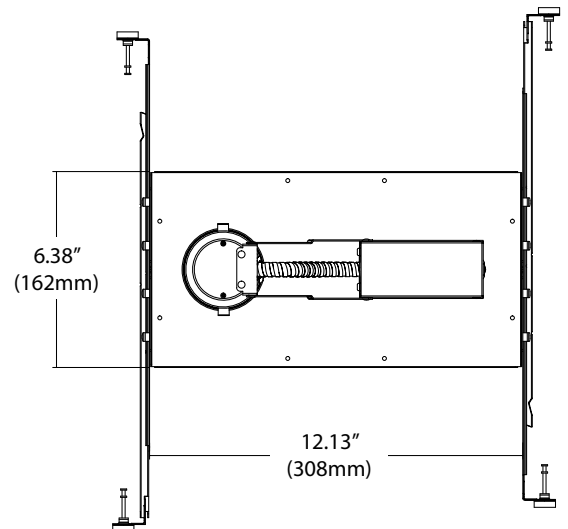
- Adjustable hanger bar brackets allow for orientation either direction

Junction Box

- Two 3/8" knockouts
- Supplied with three push-in wire connectors
- Listed for through branch circuit wiring

Hanger Bars

- Heavy-gauge NICOR captive hanger bars provide greater stability, allowing housing to be positioned at any point within a 24" joist span
- Unique hanger bar lip design helps align can to joist
- Four double-headed captive nails provide for ease of installation
- Score lines allow bars to be shortened without tools to accommodate a 12" joist span



Product Information

Input Voltage (V): 120V, 60Hz
 Power Rated(W): 9 W Max

Recommended Dimmers*

- Cooper DLC03P
- Leviton 1A1505/1C1605
- Leviton 6631/6633
- Lutron CT-605PG/CT-600PR
- Lutron DV600PR/DV603PG
- Lutron Diva DVCL-153P

**Not a complete list. Check compatibility before installation.*



Ordering Information

Example: 12201-LED-ICAT

| Series | Description |
|----------------|---|
| 12201-LED-ICAT | 2" LED New Construction Air Tight Housing |

Specifications and dimensions subject to change without notice.

