

Thank you for choosing this quality product. Be sure to check all packaging materials carefully for small parts that may have loosened inside the carton during shipment and place on a non-abrasive surface.

IMPORTANT

These parts can be cumbersome and heavy to some people, therefore, the assistance of two or more people are recommended in order to prevent personal injury and ensure the furniture is not damaged during the assembly Process.

INSTRUCTIONS

1. For packing purpose, the drawer handle were removed and put in hardware bag. Attach the handle (1) with to the drawer by using the Phillips head bolts (2) provided. Refer to FIGURE 01.
2. Assembly is complete.

HARDWARELIST

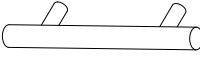

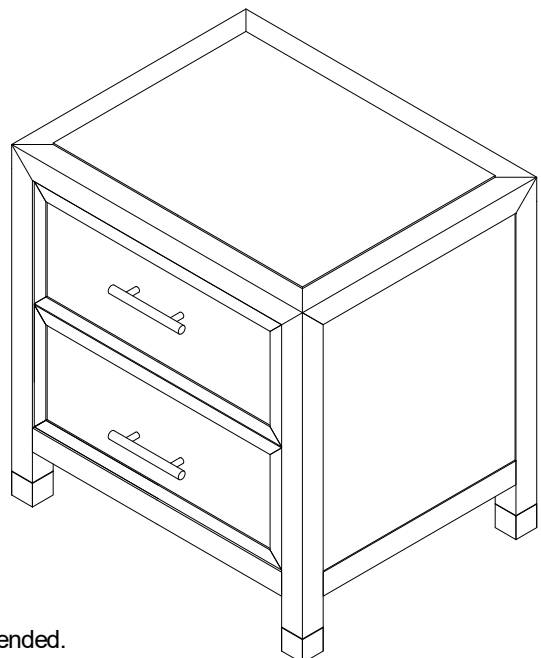
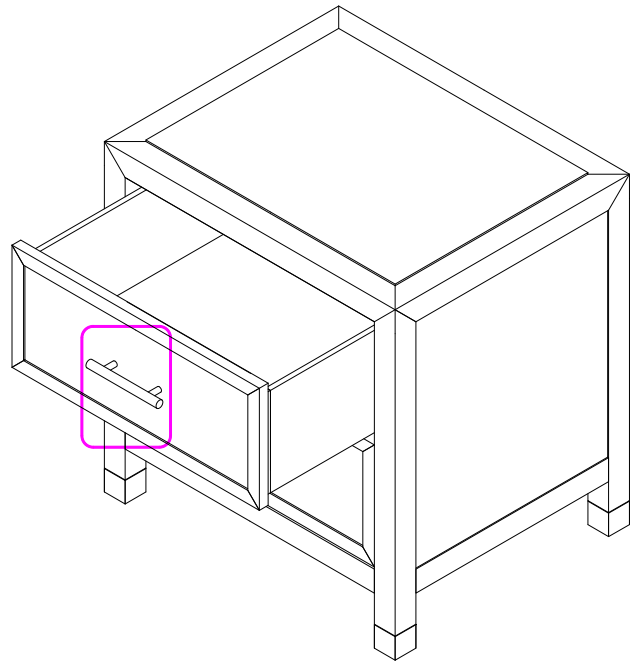
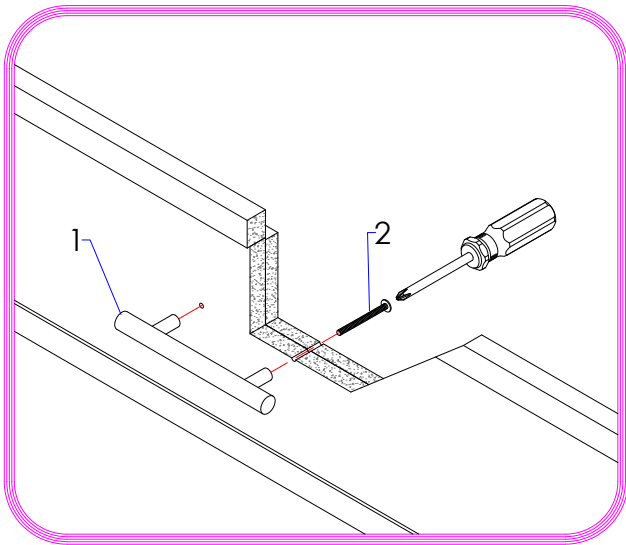
| NO | DESCRIPTION | QTY |
|----|---|-----|
| 1 |  HANDLE | 2 |
| 2 |  PHILLIPS HEAD BOLT | 4 |

FIGURE 01



CARE INSTRUCTIONS

1. Dust often using a clean, soft, dry and lint-free cloth.
2. Blot spills immediately and wipe with a clean, damp, cloth.
3. We do not recommend the use of chemical cleansers, abrasives or furniture polish on our lacquered finish.

IMPORTANT SAFETY INSTRUCTIONS

1. Please read all instructions carefully before assembling.
2. For your safety, assembly by two or more adults is strongly recommended.
3. Keep instructions for future use.
4. Use only vendor supplied hardware to assemble. Using unauthorized hardware could jeopardize the structural integrity of the item.