

RG4 LED Level Crossing Signal Modules

8 inch (200mm)

Project Name _____

Date _____ Type _____

Notes _____



OUTSTANDING RELIABILITY

- Self-contained design provides protection against moisture and dust
- Designed for retrofit into existing housings

EXCELLENT APPEARANCE & VISIBILITY

- Robust LED system design enables high luminous intensity over long product life
- Efficient optical system delivers uniform color

MEETS RIGOROUS CERTIFICATION & TESTING STANDARDS

- Meets AREMA standards
- All lamps undergo comprehensive testing in the manufacturing plant

RG4 LED Level Crossing Signal Modules

8 inch (200mm)

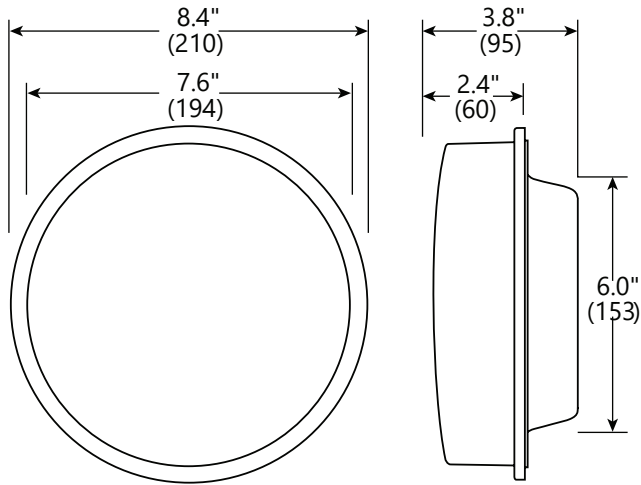
Project Name _____

Date _____ Type _____

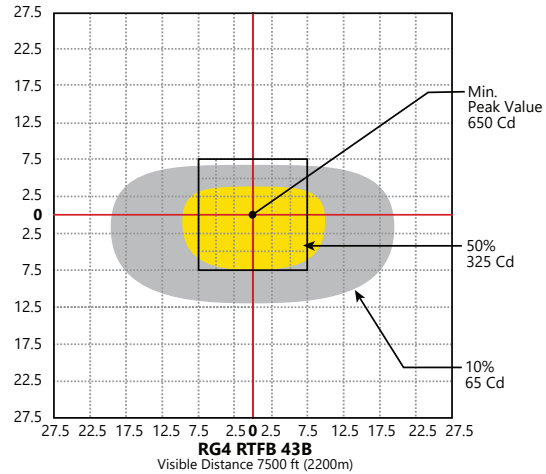
Notes _____

Mechanical Outline

Dimensions in inches (mm)



Photometric Characteristics



Design Compliance

Parameter	Compliance
Environmental Limits	AREMA Part 11.5.1 – Class B
Electronic Noise	FCC Title 47 Sub.B Sec. 15 Class A
Transient Immunity	AREMA Part 11.3.3

Operating Specifications

Parameter	Rating
Operating Temperature Range	-40 to +70 °C (-40 to +158 °F)
Operating Voltage Range	8V to 20V DC 8V to 16V AC (50-60Hz)
Voltage Turn-Off (VTO)	4V
Power Surge	42 Vrms for 80ms.
Maximum Current Draw	1.2A

Product Information

Model Number	Dominant Wavelength (nm)	Nominal Power (W)	Peak Intensity (cd)	Beam Angles (50% of peak intensity)	Field Angles (10% of peak intensity)
● RG4-RTFB-43B	630	13	650	18°H x -11°V	38°H x -16°V

All values are design or typical values when measured under laboratory conditions at T=25°C.

Distributed by: