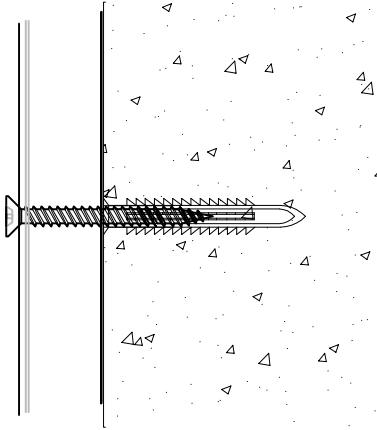




CONCRETE



IMPORTANT SAFETY INSTRUCTIONS:

- Consult certified electrician before installation that familiar with commercial type of applications.
- To reduce risk of fire, use 14 Watt Compact Fluorescent smaller lamp and do not exceed the recommended wattage.
- The manufacturer and distributor accepts no liability for incorrect installation.
- Wall must have at least the capacity of 5 times the weight of the wall sconce. For this light at least a wall capacity of 30 kg is required.
- Maximum Supply Current 1 A

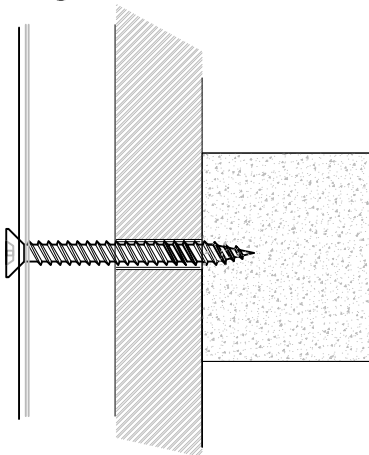
WARNING

- Turn-off electricity supply at main circuit panel before installing. All wires are connected. Do not remove the wall sconce from its packaging by pulling on the power cord, as a bad connection may result.
- To reduce the risk of fire, electrical shock, or personal injury, always turn off the wall sconce and allow it to cool prior to replacing light bulb. Do not touch bulb when fixture is turned on or look directly at light bulb. Keep flammable materials away from light bulb.
- Deviation from instructions may result in a risk of fire or electric shock.
- Suitable for indoor use only
- The external flexible cable or cord of this luminaire cannot be replaced; if the cord is damaged, the luminaire shall be destroyed.
- Terminal block not included. Installation may require advice from a qualified person.
- Only to be installed outside arms reach.

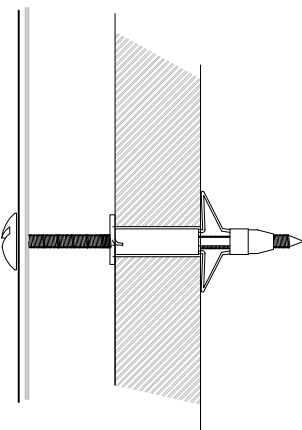
REMINDERS

- If the wall is concrete, drill a hole on each mark's and then insert a plastic wall anchors on each hole. Use a screwdriver to attach the lamp into the wall.
- If the wall lamp will be installed on dry wall along with the studs use screw to fasten the lamp.
- If the wall lamp will be installed only on the dry wall use hollow wall anchors to fasten the lamp.


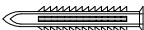

DRY WALL W/ STUDS



DRY WALL W/O STUDS



HARDWARE LIST

- | | | |
|-----------------------|---|-------|
| 1. WALL BRACKET | | |
| 2. HOLLOW WALL ANCHOR |  | 4 PCS |
| 3. PLASTIC ANCHOR |  | 4 PCS |
| 4. SCREW |  | 4 PCS |

INSTRUCTIONS

STEP #1:

Pre-set the wall lamp on your desired location and mark the location with a light pencil mark. Use tape or pencil to transcribe the location of the wall into the wall lamp anchor.

STEP #2:

Hold the base of the wall lamp against the wall and mark with pencil the locations of the screw holes, but before that, check the alignment of both holes if has the same distance on the floor or sealing surface.

STEP #3

Drill a hole in the wall and deep enough to allow the barrel of the anchor to fit snugly but not so large that the head of the sleeve has no support.

STEP #4

Clear debris from the hole and tap the anchor in place using a hammer. Make sure the bolt and barrel are tight against the wall surface and the teeth in the collar are engaged in the wall to hold it in place.

STEP #5

Use a screwdriver to tighten the screw while maintaining constant pressure until the sleeve expands and tightens against the opposite side of the wall Please see FIGURE 01.

STEP #6

Remove screw and install through wall lamp base hole then re-insert screw into the anchor body and tighten until snug against wall. Please see FIGURE 02.

CARE INSTRUCTIONS

- Make sure that the power is turned off and bulb has cooled before handling
- Wipe clean with a dry cloth / mild soapy solution. Do not use corrosive cleaners.
- The cable/cord of this wall lamp cannot be replaced: If the cable is damaged, do not use lamp.

FIGURE 01

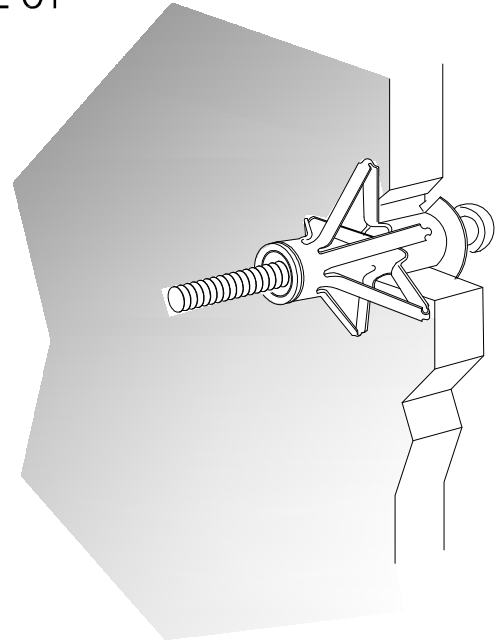


FIGURE 02

