

# IXE

## 6" Recessed LED Downlight

### Product Description

The IXE 6-inch Canless LED Downlight presents a clean and attractive low-profile design that's incredibly easy to install. The IXE features Selectable color temperatures at 2700K, 3000K, 3500K, 4000K, and 5000K for true customized lighting in any room. The edge-lit technology provides consistent lighting with an extremely thin fixture depth at just 0.38". The separate, off-board driver/junction box and spring-loaded retention tabs allow faster and easier installation eliminating the need for a recessed housing. A plenum-rated cable links the downlight to the remote driver, keeping heat away from vital components for an increased product lifespan. The IXE is Insulation Contact rated (IC-rated), Airtight, Wet-Location rated, and protected by NICOR's 5-Year Limited Warranty. Available in 12-packs, delivered ready to install and use right out of the box. No other parts or components required.

### Construction

- Cast-aluminum housing helps direct heat away from electrical components
- Edge-lit technology provides consistent lighting with an extremely thin fixture depth
- Adjustable, spring-loaded retention tabs help keep the product secured in place
- Features an off-board driver/junction box to minimize installation height while maximizing the life of the fixture through optimal heat management

### Optical System

- Polystyrene diffuser helps reduce glare without sacrificing lumen output
- Precision-engineered optical stack creates consistent light distribution and
- Beam angle: 120°
- Features high-performance LEDs with 80 CRI for true color definition
- 5 Selectable color temperatures (2700K, 3000K, 3500K, 4000K, and 5000K)

### Electrical

- Input voltage of 120VAC (60Hz)
- Power factor: >0.9
- CCT selector switch located on driver/junction box
- Dimmable to 10% with compatible TRIAC dimmers (recommended dimmers on page 2)
- Operating temperature range: -4°F to 113°F (-20°C to 45°C)

### Finish

- White powder coat finish standard on all models
- Optional bundle with black faceplate available (see ordering chart on page 2)
- Additional faceplates available in brushed nickel and oil-rubbed bronze

### Installation

- Canless design eliminates the need for recessed housing
- Spring-loaded retention tabs secure the fixture in ceilings up to 1" thick
- Off-board driver/junction box includes three 1/2" knockouts
- Three 4-port push-in connectors provided for easy wiring
- 6.30" diameter cut-out template included
- Accessory metal rough-in template and frames available
- Accessory extension power cables (2FT & 10FT) available
- For installations where power surge may be possible, NICOR recommends installing additional surge protection at the electrical distribution panel

### Listings

- ETL Intertek Listed
- Wet-location rated, suitable for areas with high moisture/humidity
- Certified for direct contact with insulation (IC-Rated)
- Meets ASTM E283 AirTight requirements
- Meets FCC Part 15, Subpart B, Class B standards for conducted and radiated emissions
- LED lumen maintenance: L70(9k)>50,000 hours
- LM-79, LM-80 testing performed in accordance with IESNA standards

### Warranty

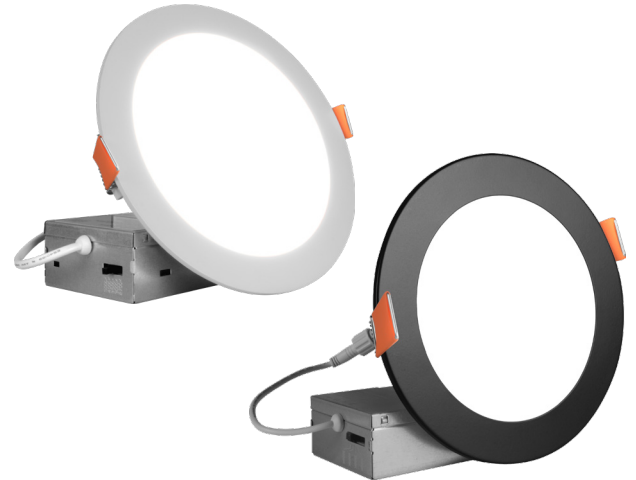
- 5-year limited system warranty standard
- Warranty does not cover product failure due to an overvoltage event (power surge)

Project

Catalog

Type

Date



**IXE**  
6" Recessed LED Downlight  
1,050 Lumens



## Ordering

### Ordering Information

Example : IXE61120S8RDWH

Series	Size	Version	Voltage	CCT's	CRI	Shape	Trim Color
IXE	6 (6-inch)	1 (Version 1)	120 (120VAC)	S (Select: 2700K/3000K/3500K/4000K/5000K)	8 (80 CRI)	RD (Round)	WH (White)
							BK (Black) <sup>1</sup>

1. The black finish option will include the white downlight with black faceplate trim.

Specifications and dimensions subject to change without notice. Please refer to the website for the most up-to-date information.

### Included in the Box

IXE LED Downlight



Driver/Junction Box

Push-In Connectors



Cutout Template



### Accessories

6" Black Trim Ring

REL6-1-TR-RD-BK

6" Brushed Nickel Trim Ring

REL6-1-TR-RD-NK

6" Oil-Rubbed Bronze Trim Ring

REL6-1-TR-RD-OB

2' Extension Cable

RELS-EXTCABLE-02

10' Extension Cable

RELS-EXTCABLE-10

6" Flat Rough-In Template

DLE6-ROUGHIN-FRAME

3", 4", 6" Flat Rough-In Template

ROUGHIN-TEMPLATE-346

## Specification Data

### Performance Data (Round)

Model Number	CCT	Lumens	Watts	Lumens/Watt
	2700K	922	11.8	78.1
	3000K	1026	11.6	88.4
IXE61120S8RDWH	3500K	1095	11.4	96.1
	4000K	1097	11.4	96.2
	5000K	1023	11.8	86.7

### Recommended Dimmers\*

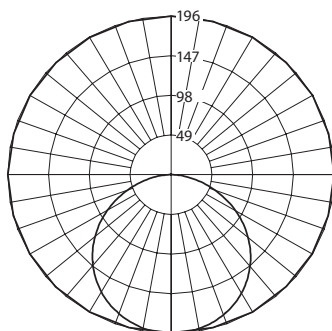
LUTRON				LEVITON	
TG-600PR-WH	TGCL-153PH-LA	SCL-153PH-WH	PD-6WCL	6672	IPL06
S-600PR-WH	SLV-600P-AL	GT-600P	MSCL-OP153M	6674	RNL06
CTCL-153PDH-WH	DV-600PR-WH	DVCL-153P	MACL-153M/MA-R	DSL06	

\*Not a complete list. Check compatibility before installation.

## Photometric Data

### IXE6 (4000K)

Input Voltage (VAC)	120
System Level Power (W)	11.4
Delivered Lumens (Lm)	1,097
System Efficacy (Lm/W)	96.2
Correlated Color Temp (K)	4000
Color Rendering Index (CRI)	80
Beam Angle (°)	120
Spacing Criteria	1.26



### Intensity Summary (Candle Power)

Angle	Mean CP
0	1344
5	1400
15	1422
25	1497
35	1608
45	1527
55	1147
65	827
75	475
85	175
90	108

### Cone of Light Tabulation

Mounted height (Feet)	Footcandles Beam Center	Diameter (Feet)
4	11.7	11.7
6	5.2	17.5
8	2.9	23.4
10	1.9	29.2

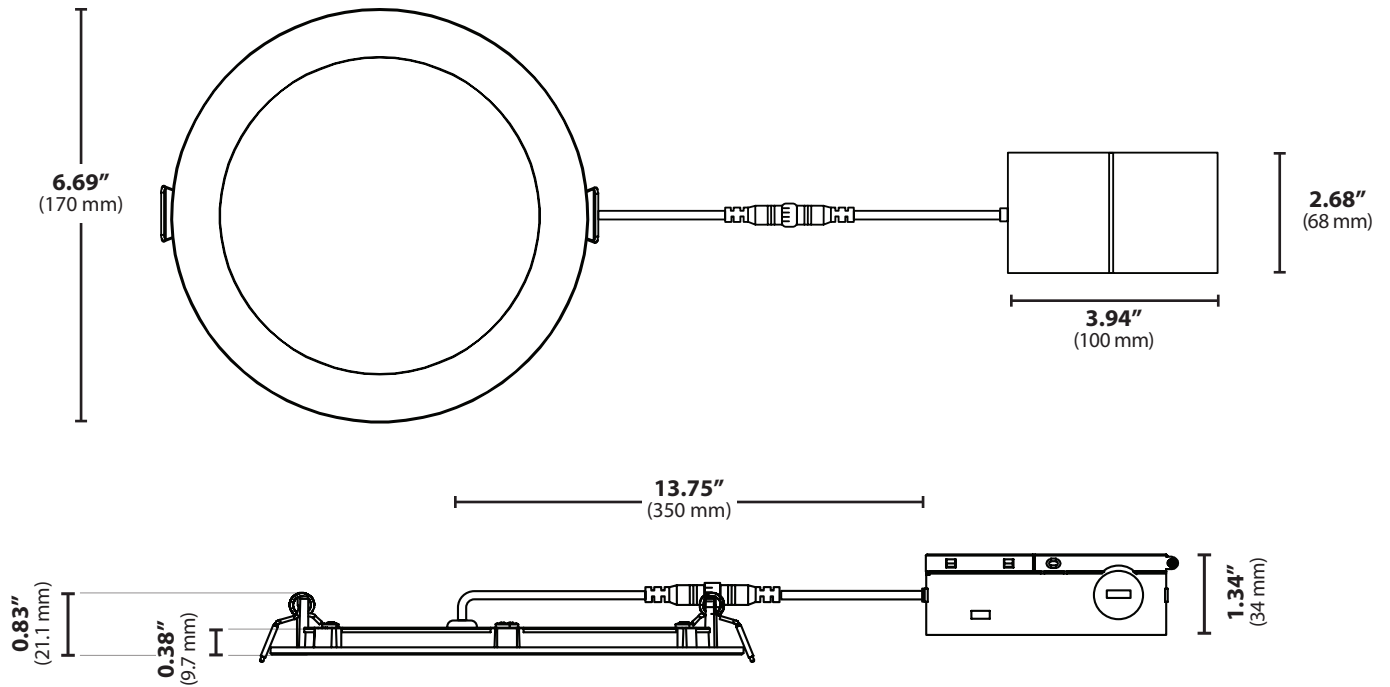
### Zonal Lumen Summary

Zone	Lumens	% of Luminaire
0-30	151	27.3%
0-40	127	44.7%
0-60	435	78.7%
0-90	553	100%
90-180	0	0%
0-180	553	100%

### CCT Data Multiplier

3000K	1.061
3500K	1.099
4000K	1.114
5000K	1.098

## Dimensions



This device complies with part 15 of the FCC Rules. Operation is subject to the following two conditions: (1) This device may not cause harmful interference, and (2) this device must accept any interference received, including interference that may cause undesired operation.

NOTE: This equipment has been tested and found to comply with the limits for a Class B digital device, pursuant to part 15 of the FCC Rules. These limits are designed to provide reasonable protection against harmful interference in a residential installation. This equipment generates, uses and can radiate radio frequency energy and, if not installed and used in accordance with the instructions, may cause harmful interference to radio communications. However, there is no guarantee that interference will not occur in a particular installation. If this equipment does cause harmful interference to radio or television reception, which can be determined by turning the equipment off and on, the user is encouraged to try to correct the interference by one or more of the following measures:

- Reorient or relocate the receiving antenna.
- Increase the separation between the equipment and receiver.
- Connect the equipment into an outlet on a circuit different from that to which the receiver is connected.
- Consult the dealer or an experienced radio/TV technician for help.