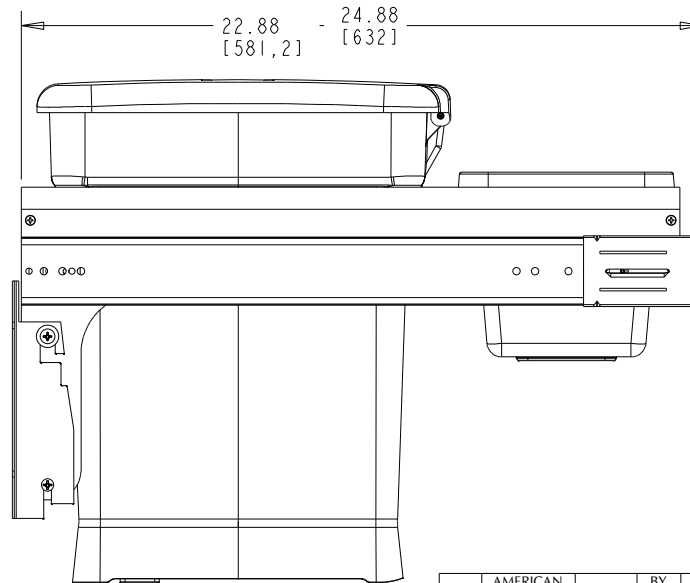
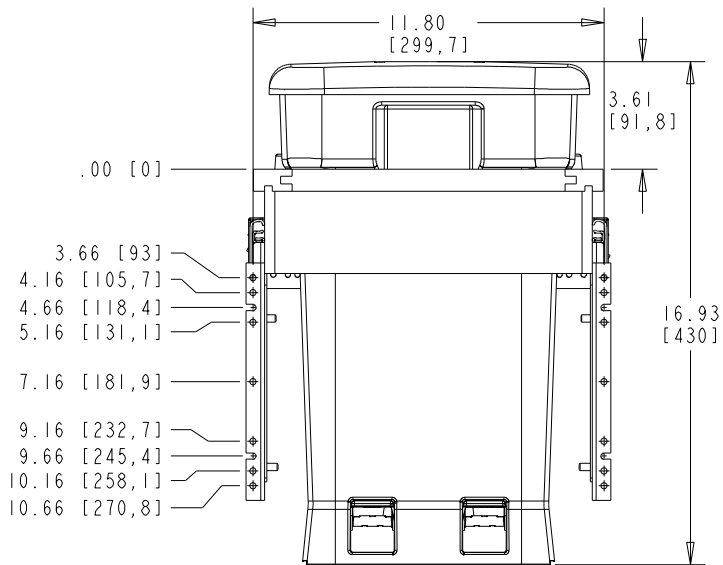


BACK VIEW

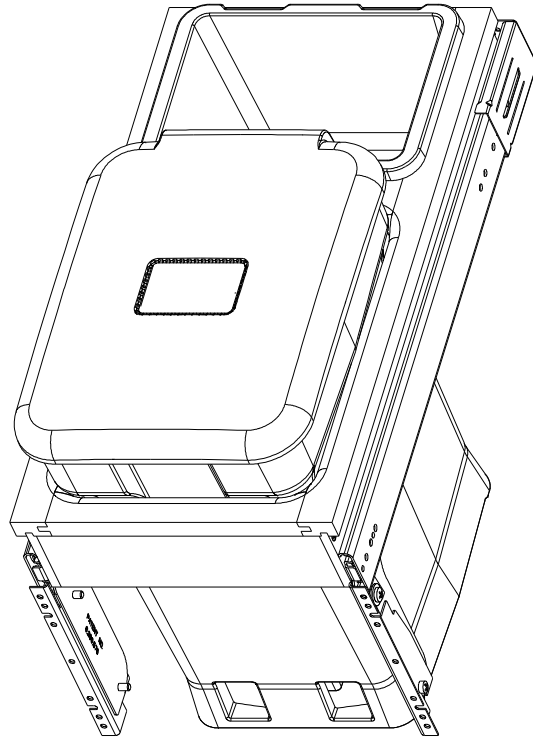


CUSTOMER DRAWING

This drawing is the property of Rev-A-Shelf (RAS) and is disclosed in confidence to the extent its subject matter is original to RAS. Any vendor receiving this drawing from RAS shall hold and use this drawing for the sole benefit of RAS and shall not disclose it to, or use or reproduce it for any third party, or perform any act adverse to the interest of RAS with respect to this drawing without the express written permission of RAS. Vendors shall not revise any physical, dimensional or performance characteristic unless authorized by Rev-A-Shelf Engineering.

REV.	DATE	BY	DESCRIPTION OF CHANGE

INCH [MM]	AMERICAN PROJECTION	BY	DATE	REV-A-SHELF, Inc.
		DRAWN	KRR 8-2-19	
SIZE				12" SINGLE COMPO TOP MOUNT
MATERIAL				DRAWING NO. 4WCTM-12CKXXSCDM1
FINISH				PART NO. 4WCTM-12CKXXSCDM1
TOLERANCES				SCALE 0.250
MAT. DEC. (WOOD) .XX ±.03 [.8mm] (OTHER) .XX ±.02 [.5mm] (ALL) .XXX ±.005 [0.13 mm] FRACTIONS ±1/32 [.8 mm]				SHEET 1 OF 2
ANGLES ±1/2°				



PART DIMENSIONS		
	MIN	MAX
WIDTH	12.00	
DEPTH	22.88	24.88
HEIGHT	16.93	
CONTAINER CAPACITY		
CONTAINER UOM		

MIN CABINET OPENING				
	FACE FRAME	FRAMELESS	INSET FACE FRAME	INSET FRAMELESS
WIDTH	12.00	12.00	12.00	12.00
DEPTH	22.88	22.88	23.63	23.63
HEIGHT	18.00	18.00	18.00	18.00

SLIDE SPECIFICATIONS				
SLIDE MANUFACTURER				
SLIDE PART NUMBER		RELEASE PART NUMBER		
SLIDE TYPE	BALL BEARING	SLIDE EXTENSION	1-1/2" OT	MAX WEIGHT RATING
SLIDE CLOSING	SOFT	SLIDE LENGTH	22" [560]	
SLIDE MOUNTING	SIDE	SLIDE FINISH	ZINC	150 LB

CUSTOMER DRAWING

This drawing is the property of Rev-A-Shelf (RAS) and is disclosed in confidence to the extent its subject matter is original to RAS. Any vendor receiving this drawing from RAS shall hold and use this drawing for the sole benefit of RAS and shall not disclose it to, or use or reproduce it for any third party, or perform any act adverse to the interest of RAS with respect to this drawing without the express written permission of RAS. Vendors shall not revise any physical, dimensional or performance characteristic unless authorized by Rev-A-Shelf Engineering.

REV.	DATE	BY	DESCRIPTION OF CHANGE

INCH [MM]	AMERICAN PROJECTION	BY	DATE	REV-A-SHELF, Inc.
		DRAWN	KRR 8-2-19	
		MATERIAL	DRAWING NO.	SCALE
		FINISH	4WCTM-12CKXXSCDM1	0.250
		ANGLES ±1/2°	PART NO.	SHEET 2 OF 2
		TOLERANCES	4WCTM-12CKXXSCDM1	
		(WOOD) .XX ±.03 [.8mm]		
		(OTHER) .XX ±.02 [.5mm]		
		(ALL) .XXX ±.005 [1.3 mm]		
		FRACTIONS ±1/32 [.8 mm]		