

Thank you for choosing this quality product. Be sure to check all packaging materials carefully for small parts that may have loosened inside the carton during shipment and place on a non-abrasive surface.

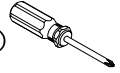
**IMPORTANT:** These parts can be cumbersome and heavy to some people, therefore, the assistance of two or more people are recommended in order to prevent personal injury and insure the furniture is not damaged during the assembly Process.

### INSTRUCTIONS

1. Preset the furniture on your desired location.
2. For packing purpose, the drawer handles were removed and put in hardware bag. Attach the handle (1) to the drawer by using the Phillips head bolts (2) provided. Repeat this steps to attach handle for other drawers. Refer to **FIGURE 01**.

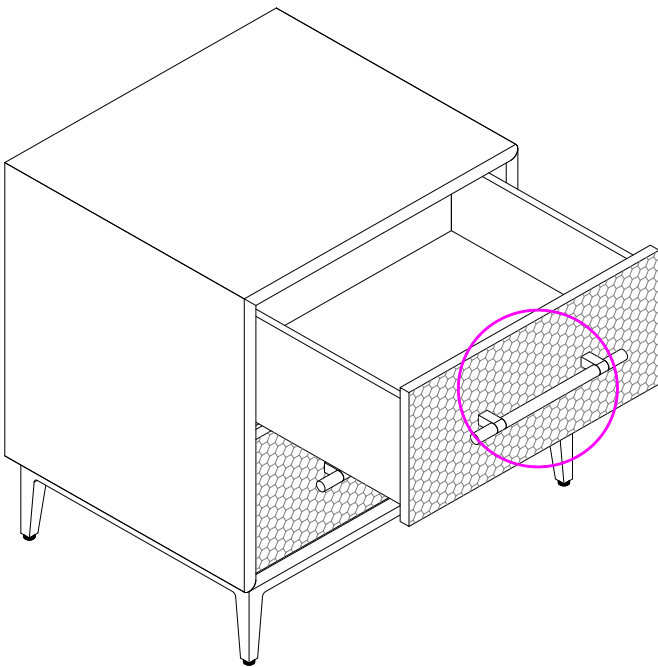
### TOOLS NEEDED

Phillips Screwdriver (Not provided)

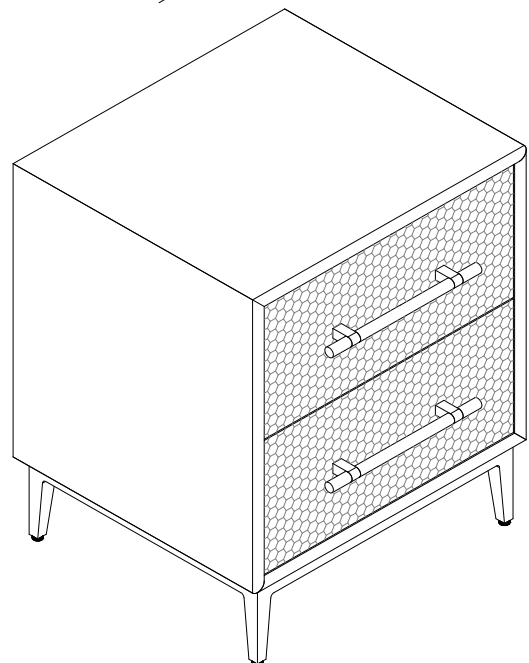
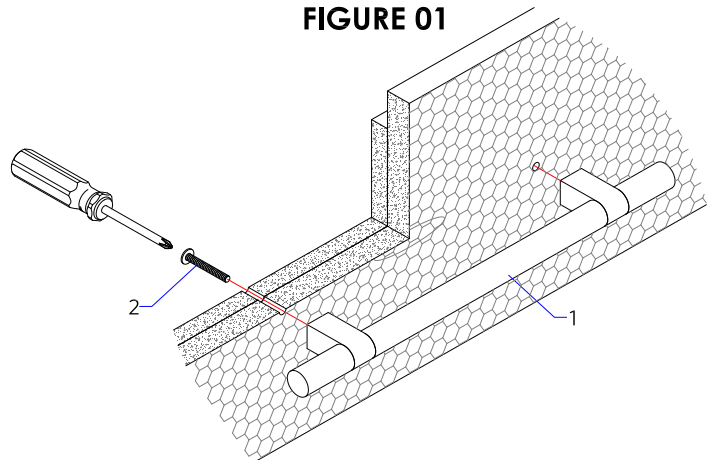


### HARDWARE INCLUDED

NO	DESCRIPTION	QTY
1	 HANDLE	2
2	 PHILLIPS HEAD BOLT	4



**FIGURE 01**



### CARE INSTRUCTIONS

1. Dust often using a clean, soft, dry and lint-free cloth.
2. Blot spills immediately and wipe with a clean, damp, cloth.
3. We do not recommend the use of chemical cleansers, abrasives or furniture polish on our lacquered finish.

### IMPORTANT SAFETY INSTRUCTIONS

1. Please read all instructions carefully before assembling.
2. Keep instructions for future use.
3. Use only vendor supplied hardware to assemble. Using unauthorized hardware could jeopardize the structural integrity of the item.