

Power Pockit® 5W

12VDC



5W	290 Lumens	100°
<p>The next generation of Power Pockit® is an astounding 25% more output than our original industry leading 3W version. With Luniform technology, 290 lumens of light are evenly distributed and eliminate the "dotted" appearance on surfaces. At only 1/4" (6 mm) depth, the Power Pockit® 5W has the the maximum illumination required in a small package.</p>		

Features:

Slim Profile – 1/4" (6 mm)

Wide 100° beam spread

High output (290 lumens)

Luniform output – no "dots"

Durable milled aluminum construction

Recess or surface mount

Typical Applications:

Displays or store furniture

Task or flood lighting

Interior cabinets/shelving

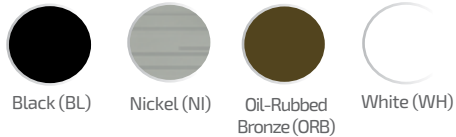
Under cabinets



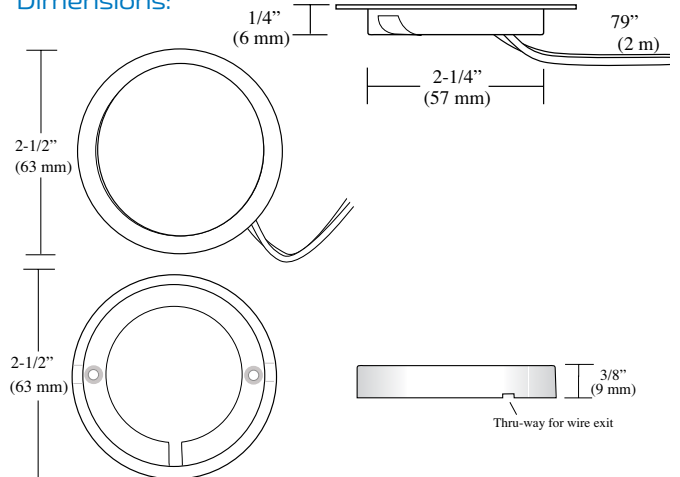
Thin profile: Just 1/4" (6 mm) depth when recessing
3/8" (9.5 mm) when surface mounting



Available Finishes:



Dimensions:



Available in multiple finishes with clear lens



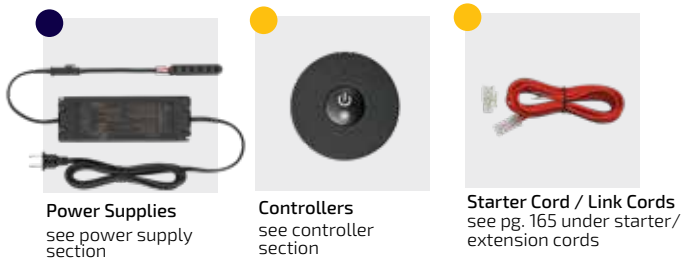
Recess or surface mount

Typical Setup:



- Required
- Optional

Accessories:



Power Supplies
see power supply section

Controllers
see controller section

Starter Cord / Link Cords
see pg. 165 under starter/
extension cords

Specifications:

Wattage	Lumens	Efficacy (lm/W)	Input Voltage	Diode Life	Max Per 60W Power Supply	Mounting	Warranty	Beam Angle										
5W	290	58	12VDC	50,000 Hours	12 Fixtures	Recess/ Surface	5 Year											
Photometric Data					Color Temperature													
		<table border="1"> <thead> <tr> <th>Height</th> <th>Light Output</th> <th>Beam Area</th> </tr> </thead> <tbody> <tr> <td>1ft (.3 m)</td> <td>115.90Fc (1247.5lx)</td> <td>2.4ft L x 2.5ft W (.73 m L x .76 m W)</td> </tr> <tr> <td>3ft (.9 m)</td> <td>12.88Fc (138.6lx)</td> <td>7.3ft L x 7.4ft W (2.2 m L x 2.3 m W)</td> </tr> <tr> <td>6ft (1.8 m)</td> <td>3.22Fc (34.7lx)</td> <td>14.6ft L x 14.8ft W (4.5 m L x 4.5 m W)</td> </tr> </tbody> </table>	Height	Light Output	Beam Area	1ft (.3 m)	115.90Fc (1247.5lx)	2.4ft L x 2.5ft W (.73 m L x .76 m W)	3ft (.9 m)	12.88Fc (138.6lx)	7.3ft L x 7.4ft W (2.2 m L x 2.3 m W)	6ft (1.8 m)	3.22Fc (34.7lx)	14.6ft L x 14.8ft W (4.5 m L x 4.5 m W)				
Height	Light Output	Beam Area																
1ft (.3 m)	115.90Fc (1247.5lx)	2.4ft L x 2.5ft W (.73 m L x .76 m W)																
3ft (.9 m)	12.88Fc (138.6lx)	7.3ft L x 7.4ft W (2.2 m L x 2.3 m W)																
6ft (1.8 m)	3.22Fc (34.7lx)	14.6ft L x 14.8ft W (4.5 m L x 4.5 m W)																
L-POC-5LED-C Tested																		

See page 43 for part numbers and descriptions