



Customer Name	Date
Project Name	
Catalog Number	



## DECAUX MAX

### Round Frame Kit

The non-IC rated frame kits are designed to enable 4", 6" and 8" Lumination® retrofit downlight fixtures to be used in new construction applications. The square frame has an adjustable aperture for easy installation. Suitable for grid or drywall ceilings. Hanger bars accessories are available separately.

### MOUNTING

- Universal mounting brackets with over 3" of vertical adjustment accommodate several types of hanger bars
- Adjustable butterfly brackets are provided for mounting to T-bar grid. Bar hangers (BH3) are sold as a separate accessory
- Mount in T-bar grid or drywall ceilings, up to 1.5" thick

### DESIGN LIFE & WARRANTY

- UL and cUL Listed.
- Suitable for damp locations.
- Current's Limited 5-year Warranty:  
Please refer to document **IND599** for more information.

### ORDERING INFORMATION

FRAME KIT SKU	MATERIAL DESCRIPTION	PRODUCT DESCRIPTION
93090208	FRAME4R	4" ROUND RETROFIT DOWNLIGHT
93025091	FRAME6R	6" ROUND RETROFIT DOWNLIGHT
93025092	FRAME8R	8" ROUND RETROFIT DOWNLIGHT
93124880	FRAME10R	10" ROUND RETROFIT DOWNLIGHT
93124881	FRAME12R	12" ROUND RETROFIT DOWNLIGHT
93090209	FRAME4S	4" SQUARE RETROFIT DOWNLIGHT
93045426	FRAME6S	6" SQUARE RETROFIT DOWNLIGHT
93045427	FRAME8S	8" SQUARE RETROFIT DOWNLIGHT

### ADDITIONAL ACCESSORY

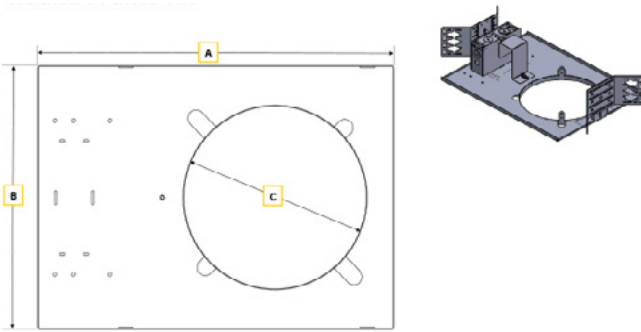
HANGER BAR SKU	MATERIAL DESCRIPTION	PRODUCT DESCRIPTION
93110306	BH3	C-CHANNEL – 25 1/4", HANGER BAR (BOX PAIR)



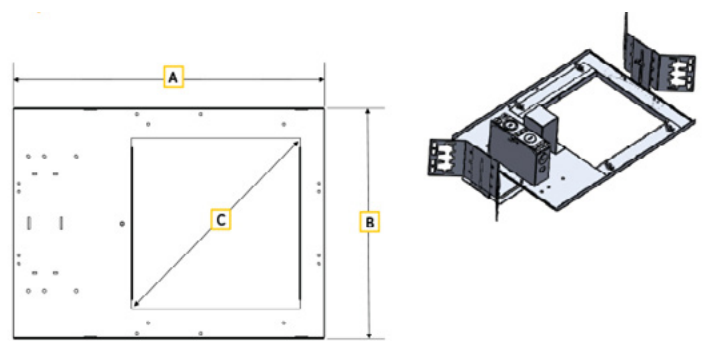
Customer Name	Date
Project Name	
Catalog Number	

### Dimensions

#### ROUND FRAME KIT



#### SQUARE FRAME KIT



ROUND	SQUARE
<b>4" Round:</b> A = 12.91" [328 mm] B = 8.58" [218 mm] C = 4.80" [122 mm]	<b>4" Square:</b> A = 12.91" [328 mm] B = 8.58" [218 mm] C = 5.04" [128 mm] x 4.02" [102 mm] ~ 5.04" [128 mm]
<b>6" Round:</b> A = 15.35" [390 mm] B = 11.34" [288 mm] C = 4.80" [159.30 mm]	<b>6" Square:</b> A = 15.35" [390 mm] B = 11.34" [288 mm] C = 6.70" [170 mm] x 5.91" [150 mm] ~ 6.80" [172.6 mm]
<b>8" Round:</b> A = 15.35" [390 mm] B = 11.34" [288 mm] C = 7.87" [200 mm]	<b>8" Square:</b> A = 15.35" [390 mm] B = 11.34" [288 mm] C = 8.27" [210 mm] x 7.48" [190mm] ~ 8.37" [212.6mm]

For Product or Technical Questions:

E: LIGHTINGPROINFO@GECURRENT.COM  
 T: +1 888 694 3533, OPTION 2