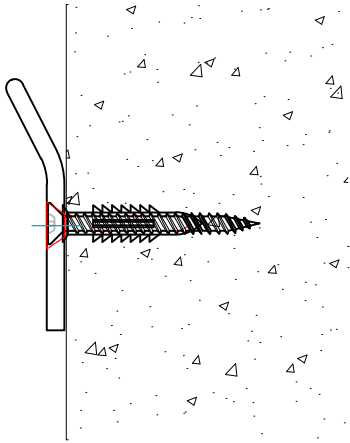




## CONCRETE



### **⚠️ WARNING**

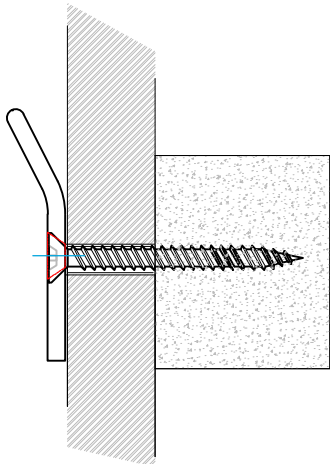
Adult assembly only owing to the presence of small parts, sharp points and edges.

Serious injury or death can occur if mirror is not hung correctly. Do not use wire to hang. Please follow correct hanging methods for wall type. Consult a professional before hanging.

### **IMPORTANT SAFETY INSTRUCTIONS:**

- Professional installation is strongly recommended.
- For your safety, it is recommended that two people hang the fixture.
- These instructions are provided for your safety. It is important that they are read carefully and completely before installation of the fixture.
- Check with a professional to ensure your wall can tolerate a fixture weighing 56 lbs.
- It is imperative that the mirror is mounted into a wall stud.

## DRY WALL W/ STUDS

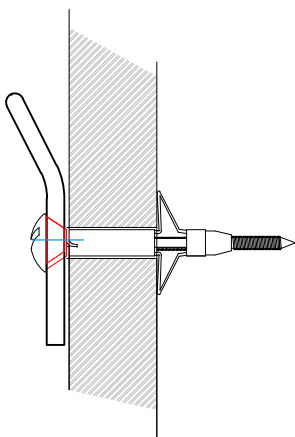


### **REMINDERS**

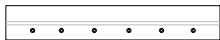



- If the wall is concrete, drill a hole on each mark's and then insert a plastic wall anchors on each hole. Use a screwdriver to attach the bracket to the wall.
- If the mirror wall bracket will be installed on dry wall along with the studs use screw to fasten the wall bracket.
- If the mirror wall bracket will be installed only on the dry wall use hollow wall anchors to fasten the bracket.

**CUSTOMER SERVICE** - If you are missing parts or have any questions about this product please contact us at 1-800-762-1751

## DRY WALL W/O STUDS



### **HARDWARE LIST**

- |                       |   |       |
|-----------------------|---|-------|
| 1. WALL BRACKET       |  | 1 PC. |
| 2. HOLLOW WALL ANCHOR |  | 6 PCS |
| 3. PLASTIC ANCHOR     |  | 6 PCS |
| 4. SCREW              |  | 6 PCS |

## INSTRUCTIONS

### STEP #1:

Pre-set the mirror on your desired location and mark the location with a light pencil mark. Use tape or pencil to transcribe the location of the wall into the mirror bracket.

### STEP #2:

Hold the bracket against the wall and mark with pencil the locations of the bracket screw holes, but before that, check the alignment of both ends if the bracket has the same distance on the floor or sealing surface.

### STEP #3

Drill a hole in the wall and deep enough to allow the barrel of the anchor to fit snugly but not so large that the head of the sleeve has no support.

### STEP #4

Clear debris from the hole and tap the anchor in place using a hammer. Make sure the bolt and barrel are tight against the wall surface and the teeth in the collar are engaged in the wall to hold it in place.

### STEP #5

Use a screwdriver to tighten the screw while maintaining constant pressure until the sleeve expands and tightens against the opposite side of the wall. Please see FIGURE 01.

### STEP #6

Remove screw and install through wall bracket hole then re-insert screw into the anchor body and tighten until snug against wall. Please see FIGURE 02.

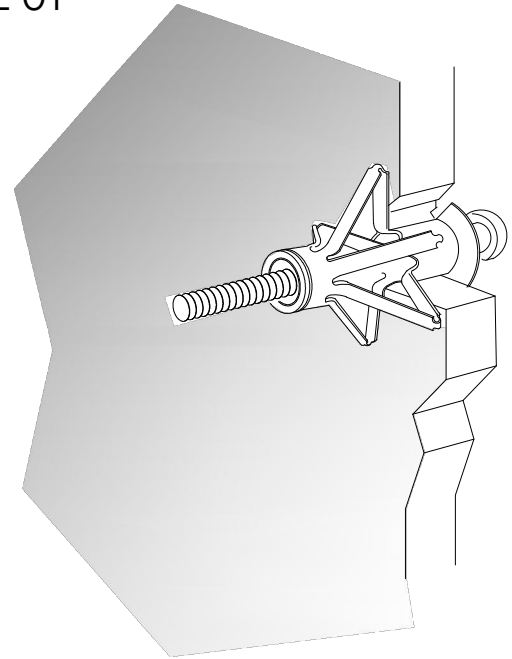
### STEP #7

Install the mirror on the wall bracket as illustrated on FIGURE 03.

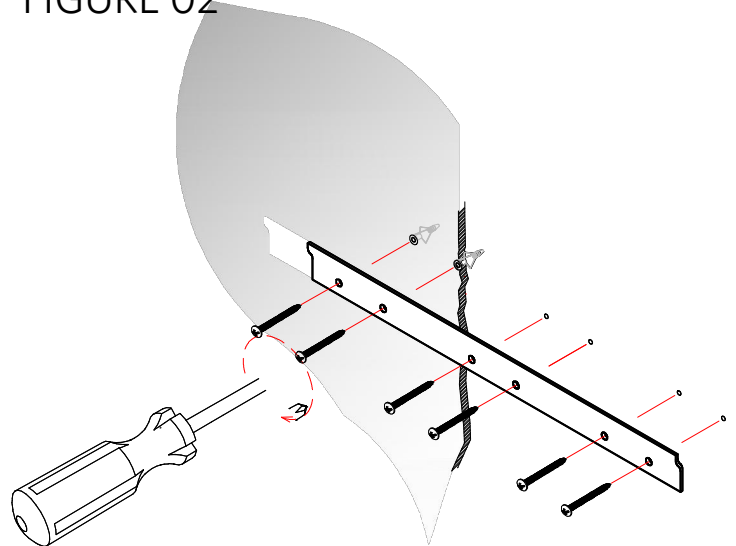
## CARE INSTRUCTIONS

- When cleaning the glass panels use a damp cloth or mild detergent if necessary; do not use abrasive cleaners.
- Check the mirror periodically to see that no fitting has loosened and needs attention.
- Mirrors are heavy objects and your safety depends on the construction/ strength of the wall to which it is attached."

## FIGURE 01



## FIGURE 02



## FIGURE 03

