

Tetra[®] Wet Location miniMAX LED Lighting System

12
Volt

GEMM71-W1, GEMM50-W1, GEMM41-W1, GEMM32-W1,
GEMMRD-W1, GEMMBL-W1, GEMMGL-W1, GEMMPO-W1



BEFORE YOU BEGIN

Read these instructions completely and carefully.

BG Българската версия на инструкциите за инсталация и информация за безопасност могат да бъдат намерени на следния адрес: <https://products.gecurrent.com/eu>

CS Návod k montáži a bezpečnostní informace v češtině najdete zde: <https://products.gecurrent.com/eu>

DA Den danske version af installationsvejledningen og sikkerhedsoplysninger kan findes på følgende placering: <https://products.gecurrent.com/eu>

DE Die deutsche Version der Installationsanleitung und Sicherheitsinformationen finden Sie in folgendem Verzeic: <https://products.gecurrent.com/eu>

EL Μπορείτε να βρείτε την ελληνική εκδοχή των οδηγιών εγκατάστασης και των πληροφοριών ασφάλειας στην εξής τοποθεσία: <https://products.gecurrent.com/eu>

ES La versión española de las instrucciones de instalación y la información sobre seguridad puede encontrarse en la siguiente ubicación: <https://products.gecurrent.com/eu>

ET Eestikeelse paigaldusjuhendi ja ohutusnõuded leiate aadressilt: <https://products.gecurrent.com/eu>

FI Asennusohjeiden ja turvallisuustietojen suomenkielinen versio löytyy seuraavasta paikasta: <https://products.gecurrent.com/eu>

FR La version française des instructions d'installations et information de sécurité est disponible à l'adresse suivante: <https://products.gecurrent.com/eu>

HR Hrvatska verzija priručnika za ugradnju i sigurnosnih informacija nalazi se na sljedećoj lokaciji: <https://products.gecurrent.com/eu>

HU A telepítési útmutató és a biztonság információk magyar nyelvű változata az alábbi címen található: <https://products.gecurrent.com/eu>

IT La versione italiana del manuale di installazione e sicurezza può essere reperita nella seguente sezione: <https://products.gecurrent.com/eu>

LT Lietuvišką diegimo instrukcijos ir saugos informacijos versiją galima rasti šioje vietoje: <https://products.gecurrent.com/eu>

LV Uzstādīšanas instrukciju un drošības informāciju latviešu valodā var atrast šeit: <https://products.gecurrent.com/eu>

NL De Nederlandse versie van de installatie-instructies en veiligheidsinformatie kan op de volgende locatie worden gevonden: <https://products.gecurrent.com/eu>

PL Polską wersję instrukcji instalacji oraz informacje dotyczące bezpieczeństwa można znaleźć w następującej lokalizacji: <https://products.gecurrent.com/eu>

PT A versão em Português das instruções de instalação e das informações de segurança pode ser encontrada na seguinte localização: <https://products.gecurrent.com/eu>

RO Versiunea în limba română a instrucțiunilor de instalare și a informațiilor de siguranță pot fi găsite la: <https://products.gecurrent.com/eu>

SV Ni hittar den svenska versionen av installationsanvisningarna och säkerhetsinformationen på följande plats: <https://products.gecurrent.com/eu>

SL Previdnostna opozorila in varnostne informacije so na zadnji strani vodnika za namestitve. Pred začetkom namestitve izdelka jih skrbno preberite: <https://products.gecurrent.com/eu>

SK Slovenskú verzii montážnej príručky a bezpečnostných inštrukcií nájdete na nasledujúcej lokalite: <https://products.gecurrent.com/eu>

For the latest North American install guides for your product go to: <https://products.gecurrent.com/sign-lighting/tetra-minimax>

For the latest European install guides for your product go to: <https://products.gecurrent.com/eu>

Prepare Electrical Wiring **FOR UL ONLY**



Electrical Requirements

- Acceptable for use in dry, damp and wet locations.
- The grounding and bonding of the LED Driver shall be done in accordance with National Electric Code (NEC) Article 600.
- Follow all National Electric Codes (NEC) and local codes.

Save These Instructions

Use only in the manner intended by the manufacturer. If you have any questions, contact the manufacturer.



RETROFIT SIGN CONVERSION LED KIT FOR USE ONLY IN ACCORDANCE WITH KIT INSTRUCTIONS.

KIT IS COMPLETE ONLY WHEN ALL PARTS REQUIRED BY THE INSTRUCTIONS ARE PRESENT.

TROUSSE DE CONVERSION À DEL POUR LA MODERNISATION DES ENSEIGNES

À UTILISER CONFORMÉMENT AU GUIDE D'INSTALLATION.

⚠ WARNING / AVERTISSEMENT

RISK OF ELECTRIC SHOCK

- Turn power off before inspection, installation or removal.
- Properly ground power supply enclosure.

RISK OF FIRE

- Use only suitably approved wire for input/output connections. Minimum size 18 AWG (0.82mm²)
- Follow all local codes.
- Not to be submerged or used in a marine environment.

RISQUES DE DÉCHARGES ÉLECTRIQUES

- Coupez l'alimentation avant l'inspection, l'installation ou le déplacement.
- Assurez-vous de correctement mettre à terre l'alimentation électrique.

RISQUES D'INCENDIE

- N'utilisez que des fils approuvés par UL pour les entrées/sorties de connexion. Taille minimum 18 AWG (0.82mm²)
- Respectez tous les codes locaux.
- Ne pas submerger ou installer dans un environnement marin.

⚠ UL WARNING/AVERTISSEMENT UL

RISK OF FIRE OR ELECTRIC SHOCK

- LED Retrofit Kit installation requires knowledge of sign electrical systems. If not qualified, do not attempt installation. Contact a qualified electrician.
- Install this kit only in host signs that have been identified in the installation instructions and where the input rating of the retrofit kit does not exceed the input rating of the sign.
- Installation of this LED retrofit kit may involve drilling or punching of holes into the structure of the sign. Check for enclosed wiring and components to avoid damage to wiring and electrical parts.
- Do not make or alter any open holes in an enclosure of wiring or electrical components during kit installation.

RISQUE D'INCENDIE OU DE CHOC ÉLECTRIQUE

- L'installation de l'équipement de remplacement DEL exige la connaissance des systèmes électriques pour enseignes. Si non qualifié, ne tentez pas d'installation. Veuillez contacter un électricien qualifié.
- Risque d'incendie ou de choc électrique. Installez cet ensemble seulement dans des enseignes hôtes qui ont été identifiés dans les instructions d'installation et dont la capacité d'entrée de l'ensemble ne dépasse pas la capacité d'entrée de l'enseigne.
- L'installation de cet équipement de remplacement DEL peut impliquer le perçage ou le poinçonnage de trous dans la structure du panneau. Vérifiez le câblage et les composants inclus pour éviter d'endommager le câblage et les composants électriques.
- Ne pas faire ou modifier les trous ouverts dans une enceinte de câblage ou de composants électriques pendant l'installation de cet équipement de remplacement DEL.

This device complies with part 15 of the FCC Rules. Operation is subject to the following two conditions: (1) This device may not cause harmful interference, and (2) this device must accept any interference received, including interference that may cause undesired operation.

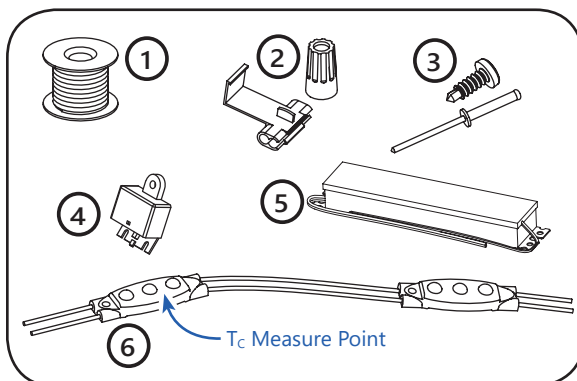
NOTE: This equipment has been tested and found to comply with the limits for a Class A digital device, pursuant to part 15 of the FCC Rules. These limits are designed to provide reasonable protection against harmful interference when the equipment is operated in a commercial environment. This equipment generates, uses, and can radiate radio frequency energy and, if not installed and used in accordance with the instruction manual, may cause harmful interference to radio communications. Operation of this equipment in a residential area is likely to cause harmful interference in which case the user will be required to correct the interference at his own expense.

This Class [A] RFLD complies with the Canadian standard ICES-005. Ce DEFR de la classe [A] est conforme à la NMB-005 du Canada.

This product is intended solely for the use of non-residential signage lighting and is not intended for use in any other applications.
Conforms to the following standards: IP66 rated

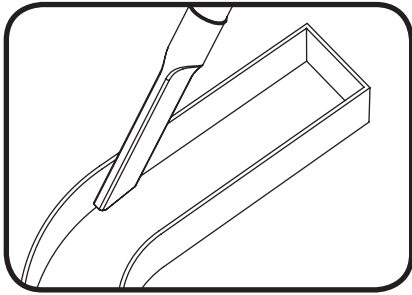


Components

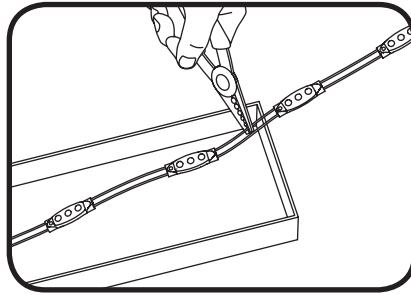


- 1 UL approved 18 AWG (0.82 mm²) supply wire
- 2 UL approved 22-14 AWG (0.33-2.08 mm²) wire connectors or 22-18 AWG (0.33-0.82 mm²) in-line/IDC connectors
- 3 #6 or #8 (M3 or M4) screws, 1/8 inch (3.2 mm) rivets, or electronic grade silicone or equivalent
- 4 Weather box GEXNWB2 (optional)
- 5 Tetra® 12 Volt Power Supply
- 6 Tetra® Wet Location miniMAX LED modules

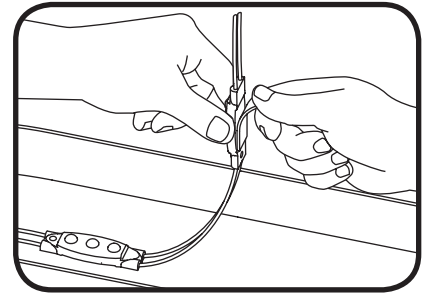
Layout Modules



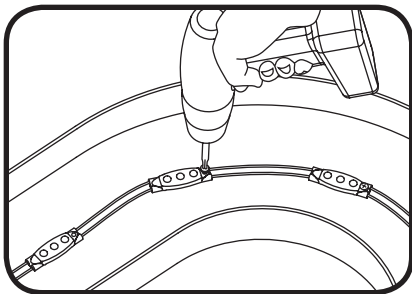
1 Clean and remove all debris from the inside of the channel letter before you begin.



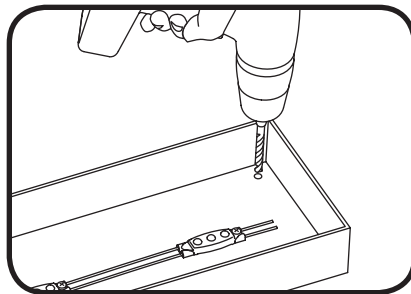
2 Measure and cut Tetra LED strip to the appropriate length for each letter. Cuts can be made between any of the modules.



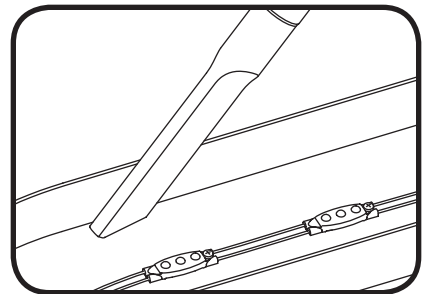
3 Remove tape backing and stick LED modules into place. Continue until you have reached the end of the strip.



4 Use rivets, screws, or silicone to secure at least every fifth LED module within the channel letter. Use #6 (M3) or #8 (M4) pan headed metal screws, 1/8-inch (3.2 mm) rivets, or silicone.



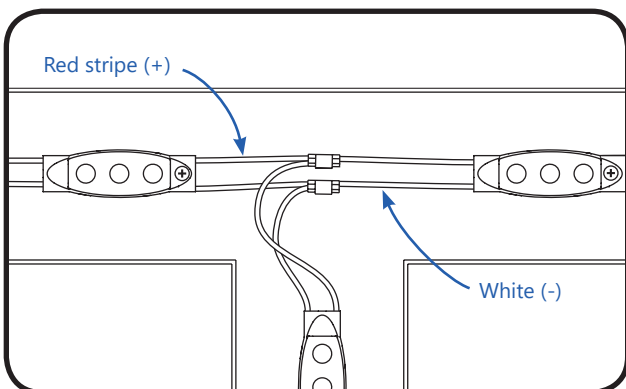
5 Drill a 1/4-inch (6.4 mm) hole near the LED strip and grommet the hole for supply wire access.



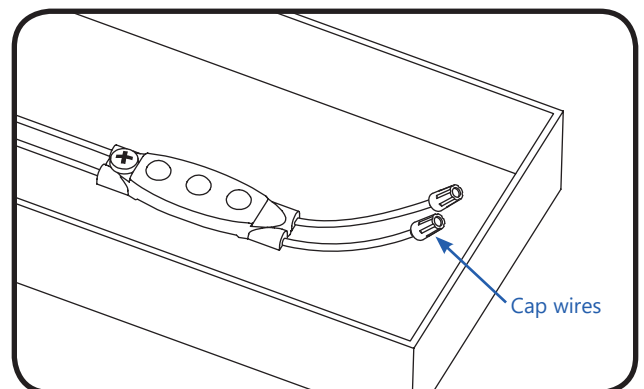
6 Clean and remove all debris from the inside of the channel letter. Replace sign face.

NOTE: For halo-lit applications LED modules should be mounted on UL recognized clear acrylic or polycarbonate. The light output from the LED system should be directed back into the sign enclosure. This will allow for uniform backlighting of the sign and will provide simple mounting.

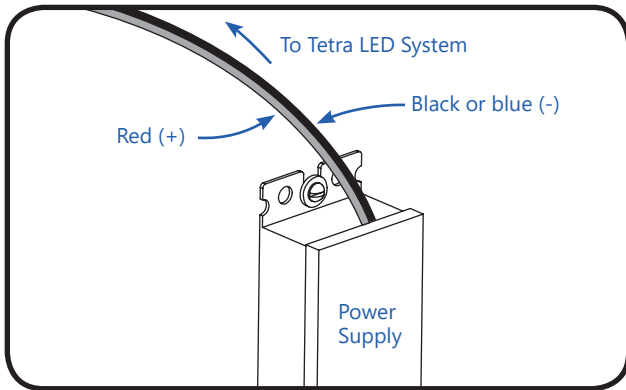
Electrical Connections



1 Connect LED strips using in-line (IDC) connectors or twist-on wire connectors.

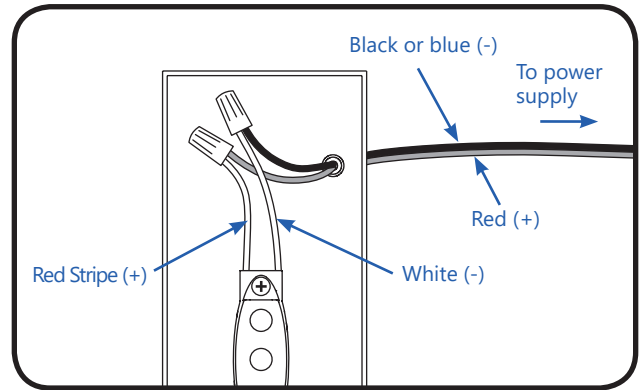


2 Must cap all exposed wires with appropriate wire connectors.



- 1 Run a wire from the Power Supply to each channel letter and connect to the first LED module on the strip.

Must be used with **Tetra® 12 Volt Power Supplies**.



- 2 Connect the red stripe wire (+) of the LED strip to the red wire (+) of the power supply. Connect the white wire (-) of the LED strip to the black or blue wire (-) of the power supply.

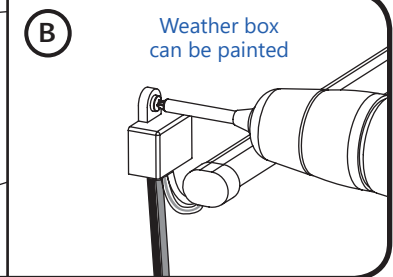
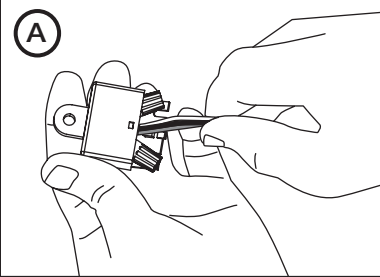
NOTE: All electrical connections should be made within the letter.

OPTIONAL

A Weather Box (GEXNWB2) may be used to house and seal Class 2 connections.

A) Insert wire connectors into weather box. Fill with electrical grade silicone and close box.

B) Secure the weather box using a #6 or #8 (M2 or M3) screw.



Retrofit Instructions **FOR UL ONLY**

1. **(Existing Signs Only)** Prior to installation, survey the site for information regarding power and accessibility inside and outside the building. Ensure that the branch circuit supplying the existing transformer or ballast will be within the voltage ratings of the new LED power supply, and have a current rating not exceeding 20A, or that permitted by applicable local, state, or country electrical codes (whichever is less).
2. **(Existing Signs Only)** Remove the existing lighting equipment to be replaced, such as neon tubing or fluorescent tubes; and associated transformers and ballasts. Care should be taken not to break the existing neon or fluorescent tubes.
NOTE: Follow all federal and local regulations when disposing of neon tubing, fluorescent tubes, transformers and ballasts.
3. **(Existing Signs Only)** If removal of the existing lighting equipment eliminates the disconnect switch, as required by applicable local, state, or country electrical codes; a new disconnect switch must be installed.
4. **(Existing Signs Only)** Repair and seal any unused openings in the electrical enclosure. Openings greater than 12.7-mm (1/2-in) diameter require a metal patch secured by screws or rivets and caulked with non-hardening caulk. Smaller openings may be sealed with non-hardening caulk.
5. **(Existing Signs Only)** A clean and dry mounting surface ensures optimum adhesion if the self-adhesive method of mounting is chosen. Follow the manufacturer's directions when using a non-oil based solvent, such as rubbing alcohol to clean the surface area where you intend to mount the module. Before installing, ensure the surface is dry.
6. Using the layout guidelines above, determine required number of LED modules required to illuminate the sign.
7. A Tetra® 12VDC Class 2 Power Supply, as listed below, must be used with this retrofit kit. Using the Maximum Loading chart below, determine the number of Tetra® Class 2 Power Supplies required to power the number of LED modules required to illuminate the sign, so as not to overload the Tetra® Class 2 Power Supply chosen.
8. Follow the instructions above to properly mount the LED modules.
9. Connect the DC output of the power supply to the LED modules using the Electrical Connections instructions above.
10. Connect the power unit to the supply in accordance with the applicable local, state, and country electrical codes, and the instructions found in the power supply installation guide.
11. If required, the disconnect switch shall be installed by qualified personnel, in accordance with applicable local, state, and country electrical codes.

Troubleshooting

Symptom	Solution
All letters are OFF	<ul style="list-style-type: none"> • Check AC input connection and/or check circuit breaker. • Check wire connection(s) at the Tetra® LED System and power supply for improper termination(s) or short circuits. Properly terminate or replace the wire connection(s). • Check that connections are the red striped wire (+) of the LED strip to the red wire (+) of the power supply and the white wire (-) of the LED strip to the black or blue wire (-) of the power supply.
Some LEDs appear dim	<ul style="list-style-type: none"> • Ensure the overall length of the Tetra® LED System does not exceed the maximum load. • Ensure the length of supply wire is equal to or below the recommended remote mounting distance.
Some of the letters are not illuminated	<ul style="list-style-type: none"> • Check wire connection(s) at the Tetra® LED System and power supply for improper termination(s) or short circuits. Properly terminate or replace the wire connection(s). • Check that connections are the red striped wire (+) of the LED strip to the red wire (+) of the power supply and the white wire (-) of the LED strip to the black or blue wire (-) of the power supply.
Shadows	<ul style="list-style-type: none"> • Re-route supply wire and secure to the back of the can with silicone. Adjust wire connector orientation so that it does not cover any LEDs. • Adjust LED layout to ensure uniformity of illumination on the face of the letter.

Tips

- For optimal light uniformity in halo-lit applications the Tetra® LED modules should be mounted on UL recognized plastic and the light output from the Tetra® LED system should be directed back into the sign enclosure. This will allow for uniform backlighting of the sign and will provide simple mounting for the Tetra® LED system.
- A best practice for the supply wire at the point at which it is brought into the sign is to have a drip loop on the inside of the letter to keep water from collecting on the Tetra® LED strip.
- These products are not required to be enclosed or protected from weather.

Maximum Loading per Tetra 12 VDC Power Supply

SKU	Rating	25W Power Supply <i>Note: Load shall not exceed 2A</i>	60W Power Supply <i>Note: Load shall not exceed 5A</i>	180W Power Supply <i>Note: Load shall not exceed 5A per each (of 3) output channels</i>
GEMM71-W1 GEMM50-W1 GEMM41-W1 GEMM32-W1	12VDC, 27mA/module 0.324W/module	65 modules/26 ft. (7.92 m)	170 modules/68 ft. (20.73 m)	170 modules/68 ft. (20.73 m) per output channel 510 modules/204 ft. (62.18 m) per power supply
GEMMRD-W1 GEMMBL-W1	12VDC, 32mA/module 0.384W/module	55 modules/22ft.(6.7m))	150 modules/60ft.(18.29m)	150 modules/60ft. (18.29m) per output channel 450 modules/180ft. (54.86m) per power supply
GEMMGL-W1	12VDC, 26mA/module 0.312W/module			
GEMMPO-W1	12VDC, 40mA/module 0.48W/module	45 modules/18ft.(5.48m)	120 modules/48ft.(14.63m)	120 modules/48ft. (14.63m) per output channel 360 modules/144ft. (43.89m) per power supply

Maximum Remote Mounting Distance

	18 AWG/0.82 mm ² Supply Wire	16 AWG/1.31 mm ² Supply Wire	14 AWG/2.08 mm ² Supply Wire	12 AWG/3.31 mm ² Supply Wire
25W Power Supply	120 ft./36.6 m	-	-	-
60W Power Supply	15 ft./4.6 m	23 ft./7.0 m	38 ft./11.6 m	65 ft./19.8 m
180W Power Supply	15 ft./4.6 m	23 ft./7.0 m	38 ft./11.6 m	65 ft./19.8 m

NOTE: For linear runs longer than 40ft, center connection to the LED strip is recommended to minimize voltage drop.