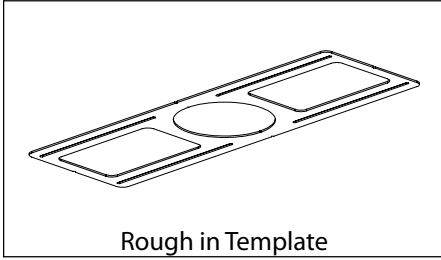
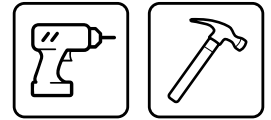


What's In The Box



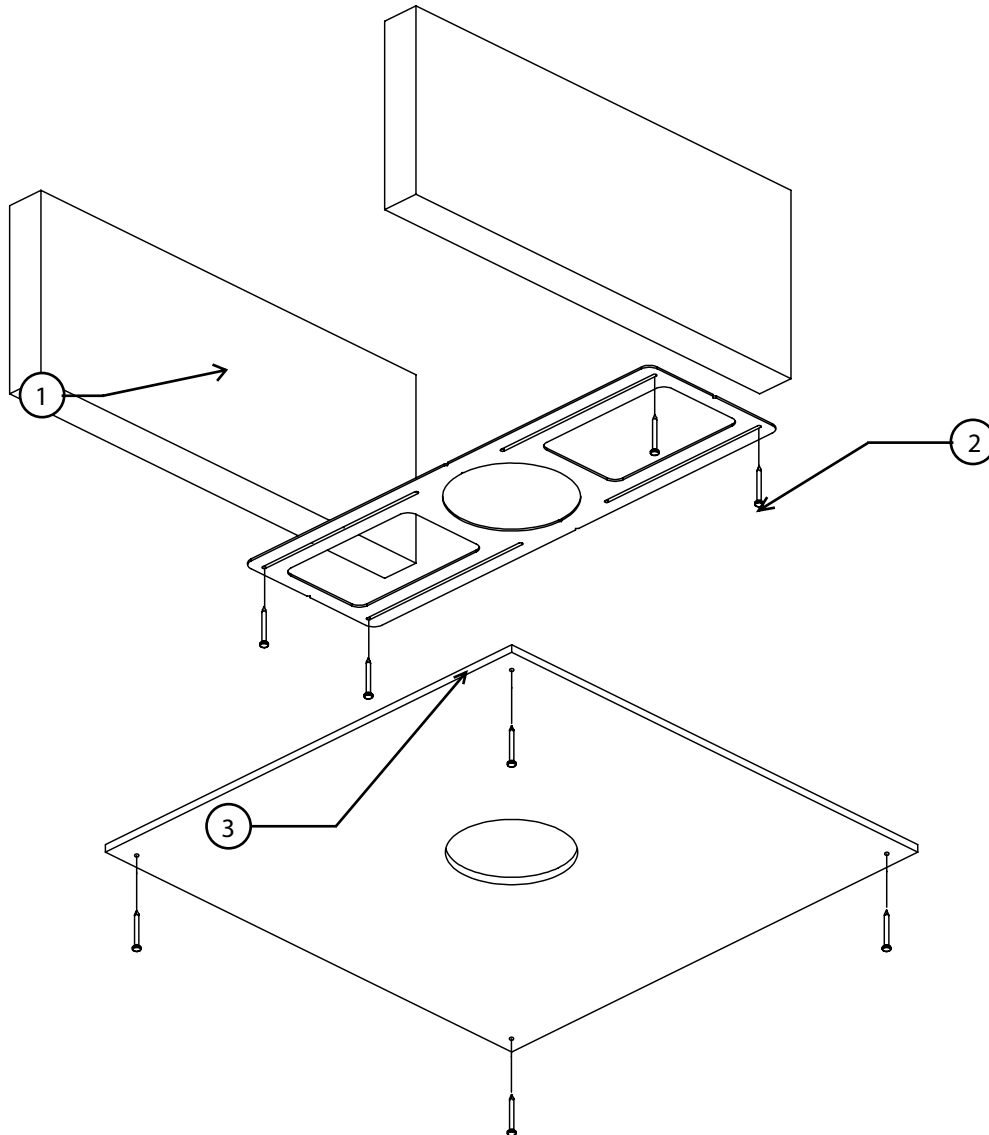
Tools Needed

This Roughin-Template requires very few tools for installation. A power drill or a hammer will help to install the Roughin-Template to a ceiling joist or rafter tie.



Compatibility

ROUGHIN-TEMPLATE-2	DGD2, DRD2, DQD2, RRD2, DGD2v2
ROUGHIN-TEMPLATE-8	CLR8, DLE8
ROUGHIN-TEMPLATE-REL8	CLR8, DLE8, REL8, RELS8
ROUGHIN-TEMPLATE-346	DGD3, DLE3, RELS3, DGD4, DGC4, DGF4, DLE4, REL4, RELS4, RELR4, REL4FR1, CLR6, DLE6, REL6, RELS6, RELR6, REL6-UNV, REL6FR1, DGD3v2, DGD4v2, IXE6



NOTE: Review product installation instructions first for any wiring required before drywall installation.

- ① Secure Roughin-Template to the ceiling joist using appropriate fasteners (not provided). Make sure to align with other plates as needed.
- ② Install drywall to the ceiling.
- ③ Cut out Roughin-Template opening from the drywall.