

Thank you for choosing this quality product. Be sure to check all packaging materials carefully for small parts that may have become loose during shipment and place all parts on a non-abrasive surface.

IMPORTANT :These parts can be cumbersome and heavy to some people, therefore the assistance of two or more people is recommended in order to prevent personal injury and insure the furniture is not damaged during the assembly Process.

PART LIST

- A. [1] NIGHTSTAND
- B. [4] LEGS (left & right)

INSTRUCTIONS.

1. Lay the nightstand (A) on a flat surface.
2. Attach the legs (B) to the nightstand (A). Align and insert Allen bolt (1), lock washer (2) and flat washer (3), Tighten all the bolts by using Allen wrench (4) . See **FIGURE 01**.
3. Turn the nightstand into upright position.
4. Attach handle (5). Insert the the screw (6) from the back side of the drawer front and tighten them with screw driver. See **FIGURE 02**.

HARDWARE LIST

NO	DESCRIPTION	QTY
1	ALLEN BOLT	12
2	LOCK WASHER	12
3	FLAT WASHER	12
4	ALLEN WRENCH	1
5	HANDLE	1
6	PHILLIP SCREW	2

FIGURE 01

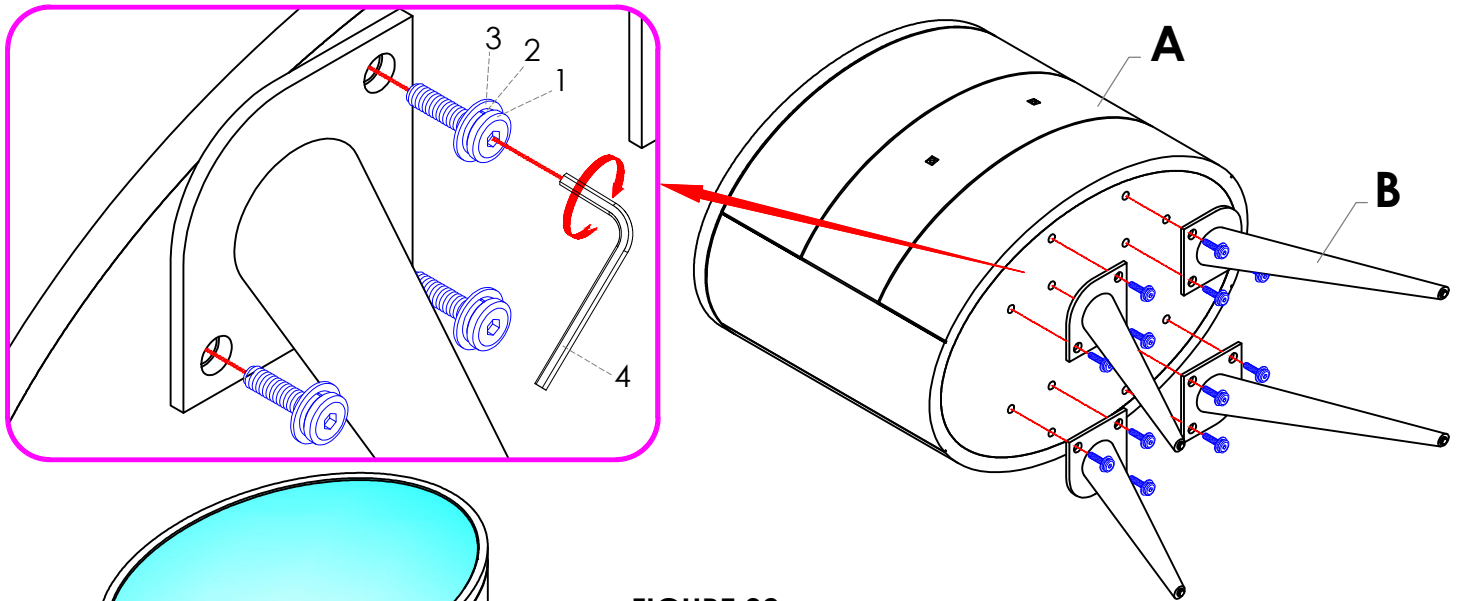


FIGURE 02

