

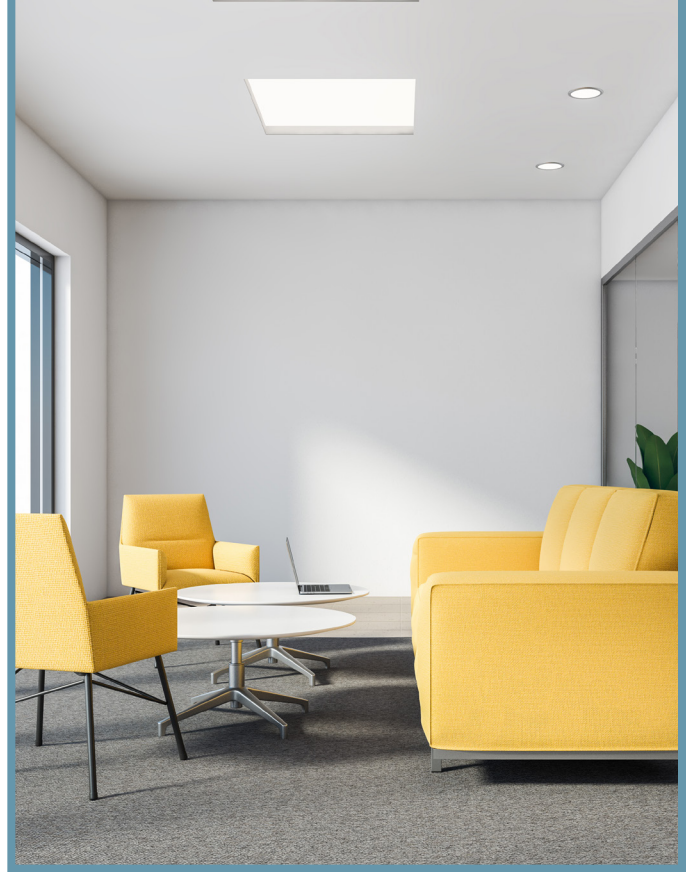


**NICOR®** | **TGLS2**

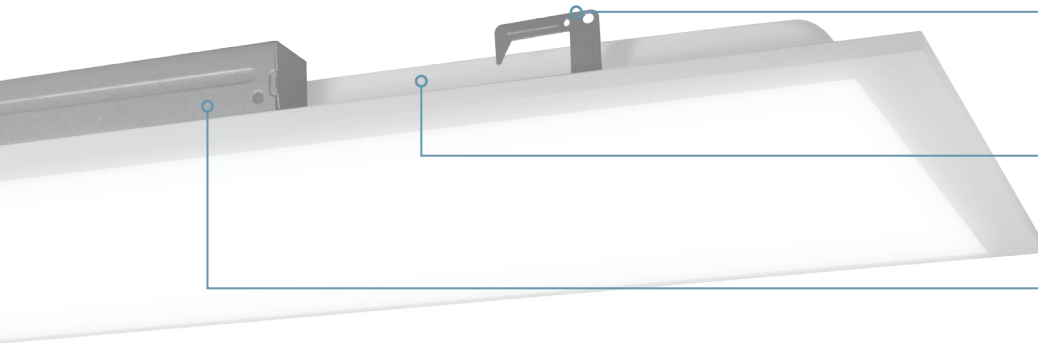
Select LED Backlit Troffer

# TGL Select v2

The TGLS2 is a contractor-grade Troffer that exceeds quality and performance in most commercial spaces. The TGLS2 LED Troffer features a pre-mounted driver and a maintenance-free, fully sealed chamber with a seamless aluminum frame to keep out bugs and dust. The fixture utilizes a precision-engineered, textured diffuser to deliver maximum lumen output and optimal uniformity without revealing hot spots or shadowing. The TGLS2 comes with CCT Selectable options with the choice of 3500K, 4000K, 5000K and low, medium, and high lumen outputs. Its DLC 5.1 Standard certification ensures top of the line quality and performance, making the TGLS2 the perfect lighting solution for offices, hospitals, and other commercial spaces.



## FEATURES



### Integral Grid Tie Clips

Attached grid clip with wire-tie holes provided for seismic requirements

### Safe Handling

Smooth formed sides for safe handling

### Fast Installation

Features an integral driver for easy installation

## Light Uniformity

No visible diodes, hot-spots, or shadows providing high uniformity and reduced glare



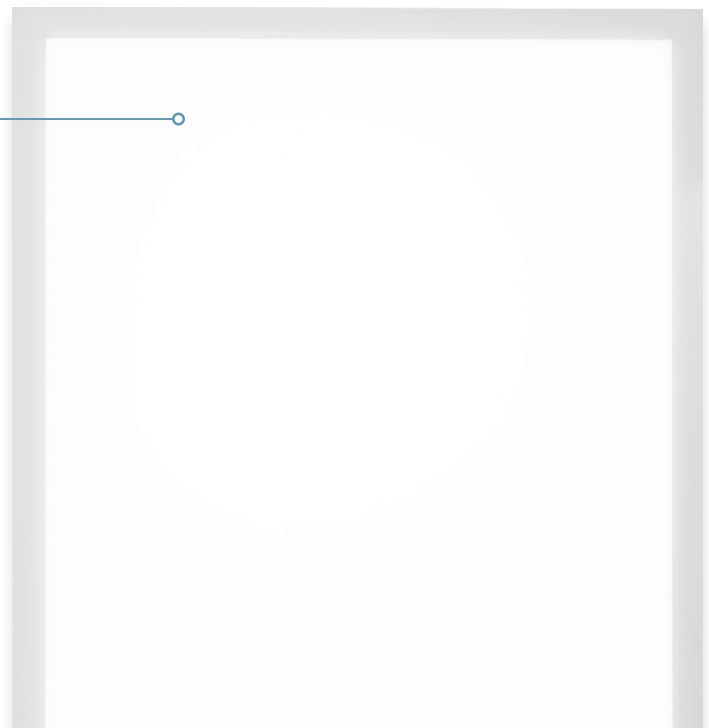
### Selectable CCT

External switch allows easy CCT Selection: 3500K, 4000K, or 5000K



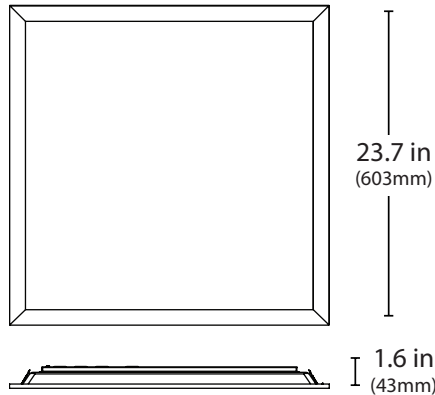
### Selectable Wattage

External switch allows easy wattage selection: 22W, 33W and 43W for 2'x2', 31W, 43W and 52W for 2'x4'

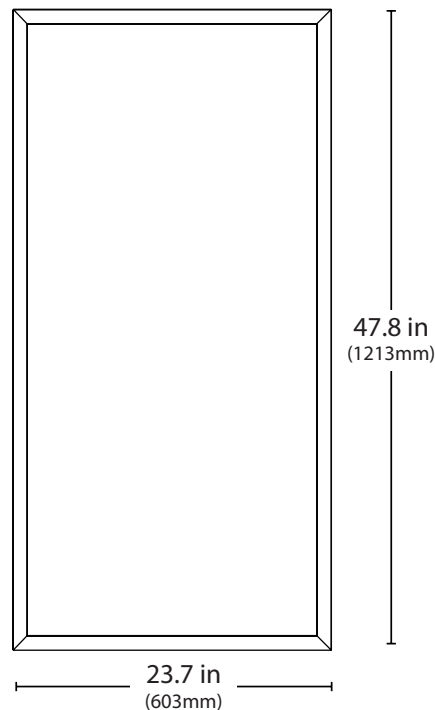


# Product Information

TGLS2 2'x2'



TGLS2 2'x4'



## Construction

- Extruded aluminum frame with powder coat finish
- Durable stamped housing
- High efficiency, maintenance-free LED chamber
- Smooth formed sides for safe handling

## Optical System

- Patented internal optical system
- Precision engineered polystyrene diffuser
- High reflectivity internal coating
- No visible diodes, hot-spots, or shadows providing high uniformity and reduced glare
- 80 CRI for good color definition in public places

## Electrical

- Input voltage of 120-277VAC
- CCT selector switch accessible on junction box
- Full-range dimming via 1-10VDC controls
- Power factor > 0.9
- THD < 20%
- Luminaire surge protection level: designed to withstand up to 2.5V ring wave per ANSI C82.77-5-2017 requirements for indoor hard-wired and indoor portable luminaires
- Operating temperature range: 4°F to 104°F (-20° to 40°C)

## Mounting and Installation

- Single cover plate with access to both line and low voltage connections
- Emergency battery backup available
- Integral grid tie clips with wire holes provided for seismic requirements
- Surface mount installation with an optional adapter
- Drywall installation with an optional adaptor
- For installations where power surge may be possible, NICOR recommends installing additional surge protection at the fixture or electrical distribution panel

## Listings

- cETLus 1598 Listed for damp locations
- Certified for direct contact with insulation (IC)
- DLC 5.1 Standard listed
- RoHS Compliant
- Meets FCC Part 15, Subpart B, and Class A standards for conducted and radiated emissions
- TM-21 Reported L70(9k) life >54,000 hours
- LM-79, LM-80 testing performed in accordance with IESNA standards

## Warranty

- 5-year limited system warranty standard

## Photometric Data (3500K, 35W)

Performance Data	TGLS222	TGLS224
Input Voltage (VAC)	120-277	120-277
System Level Power (W)	42.6	52.1
Delivered Lumens (Lm)	4772	5926
System Efficacy (Lm/W)	112	114
Correlated Color Temp (K)	3437	3448
Color Rendering Index (CRI)	83	83
Beam Angle (0)	115.6°	115.7°
Beam Angle (90)	115.2°	120.7°
Spacing Criteria (0)	1.30	1.32
Spacing Criteria (90)	1.28	1.28

## Ordering Information

Ex. TGLS222U

Series	Version	Size	Voltage	EM (Optional)
TGLS	2	22 (2' x 2')	U (120 - 277V)	E1 (EMB045)
		24 (2' x 4')		E2 (EMB080)

## Accessories

(sold separately)

	TGLS222	TGLS224
Surface Mount Kit	TPE10SK22	TPE10SK24
Surface Mount Kit with E1/E2	SK22M10WH	SK24M10WH
Flange Kit	TPE10FK22	TPE10FK24

## Recommended Dimmers\*

Lutron NTSTV
Lutron DVSTV
Cooper SF10P
Legrand RH4FBL3PW

\*Not a complete list. Check compatibility before installation



### Warehouse Locations

Albuquerque, NM	Houston, TX
Atlanta, GA	Roseville, CA
Buford, GA	Syracuse, NY
Detroit, MI	Van Nuys, CA
Folcroft, PA	

**T. 800.821.6283**  
**F 800.892.8393**  
**[www.nicorlighting.com](http://www.nicorlighting.com)**  
  
2200 Midtown Pl. NE  
Albuquerque, NM 87107 USA



LIT-TGLS2-10PK  
20230613  
©2023 NICOR® • ALL RIGHTS RESERVED

