

1

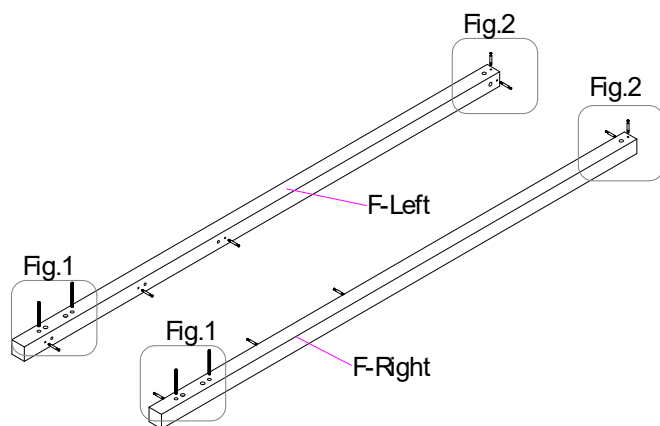


FIGURE 1

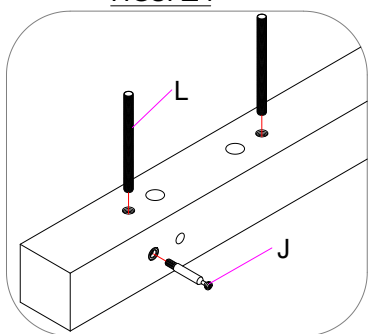
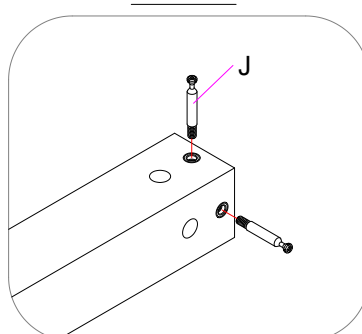


FIGURE 2



2

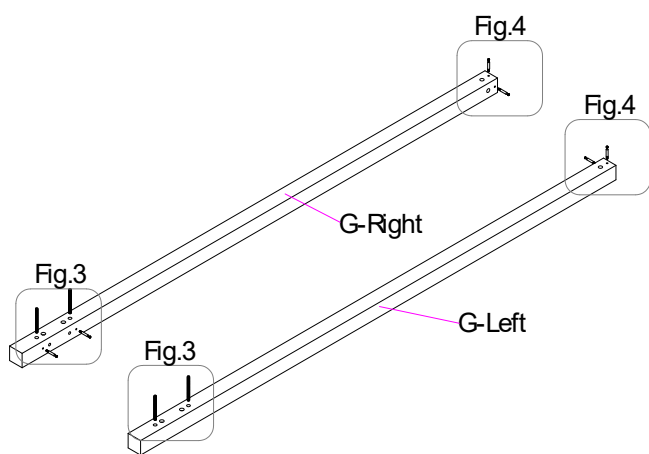


FIGURE 3

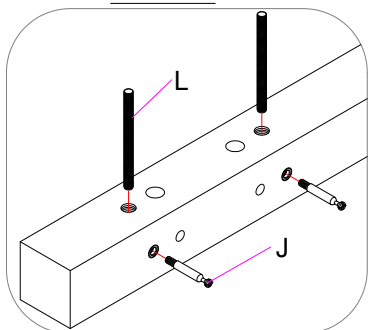
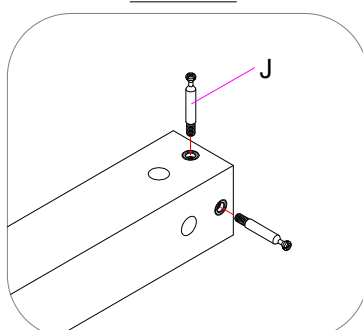


FIGURE 4



A		1
B		1
C		2
D		2
E		13
F		2
	HB post (L&R)	
G		2
	FB post (L&R)	
H		2
	Short canopy L=1934mm	
I		2
	Long canopy L=2058mm	
J		18
K		18

**3**

FIGURE 5-A

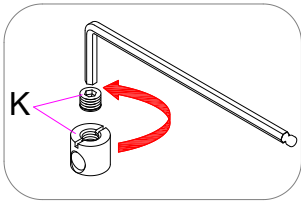


FIGURE 5-B

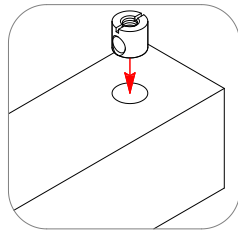
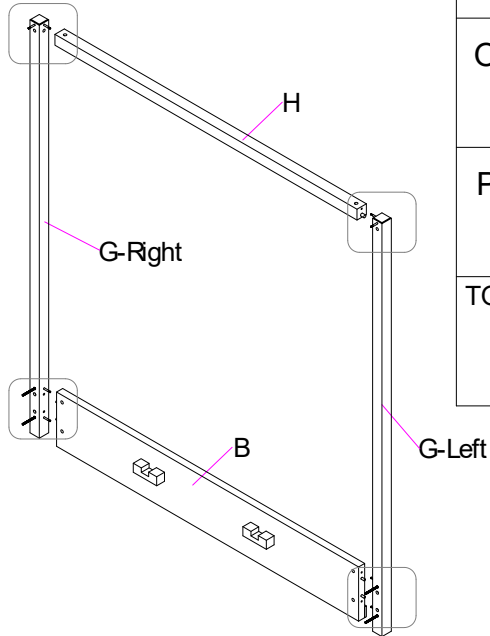
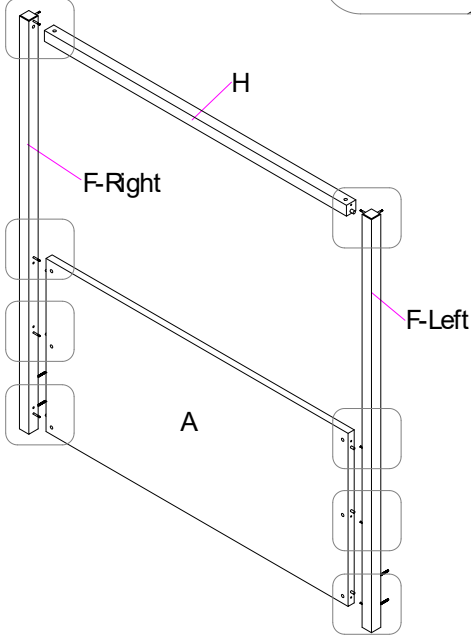
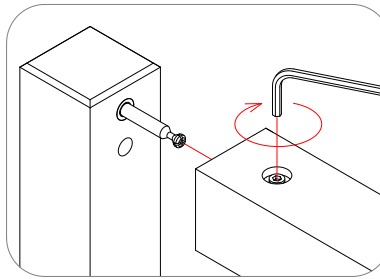


FIGURE 5-C



L		8
M		8
N		8
O		8
P		1
TOOL NEEDED		1
(NOT PROVIDED)		

**4**

FIGURE 6

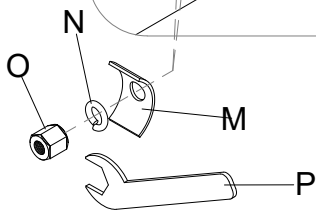
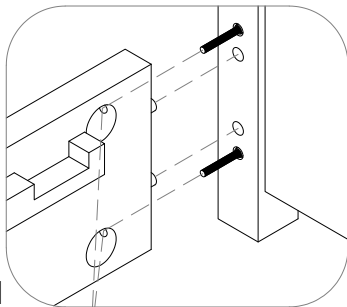


FIGURE 7-B

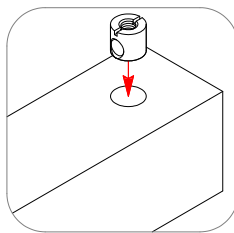


FIGURE 7-A

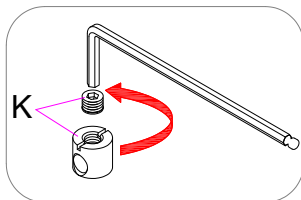
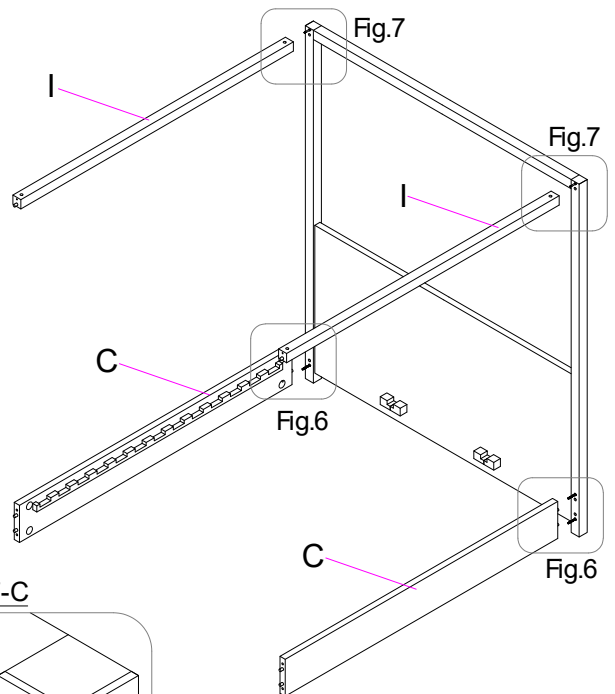
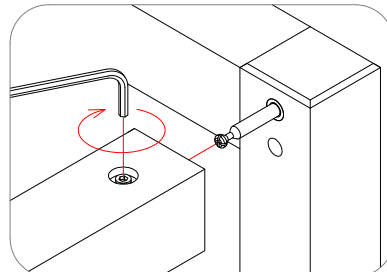


FIGURE 7-C



**NOTE:** KEEP HOLDING THE CANOPIES DURING NEXT STEP.

5

FIGURE 8

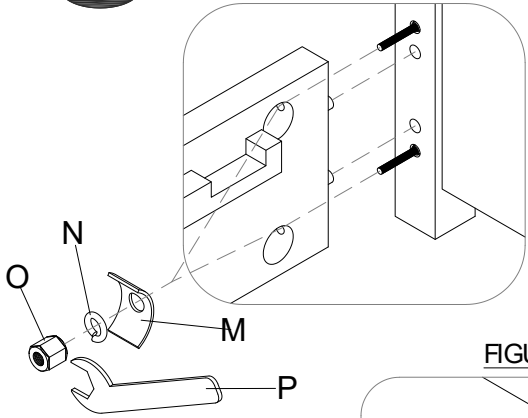
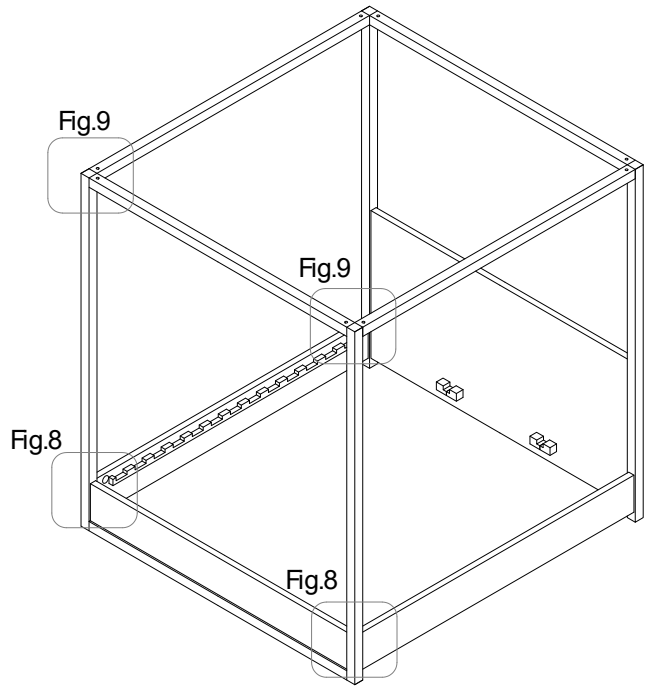
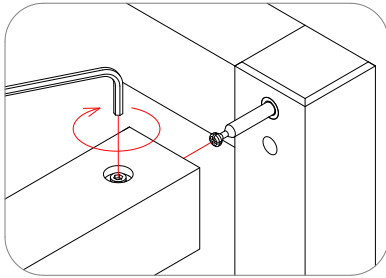
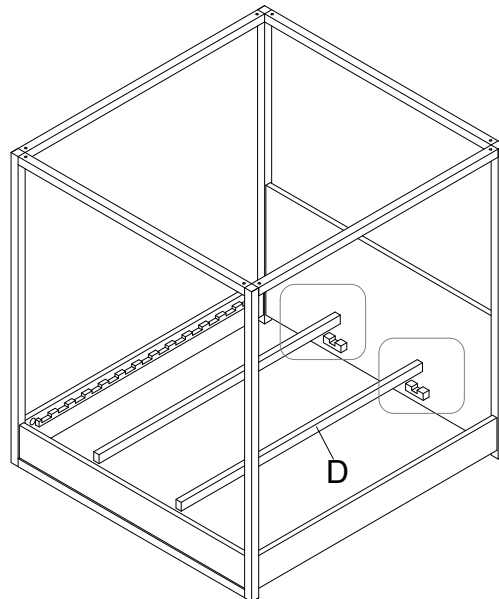
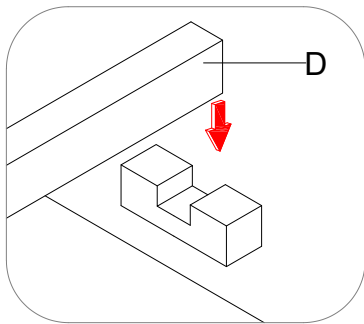


FIGURE 9



6

FIGURE 10



7

FIGURE 11

