

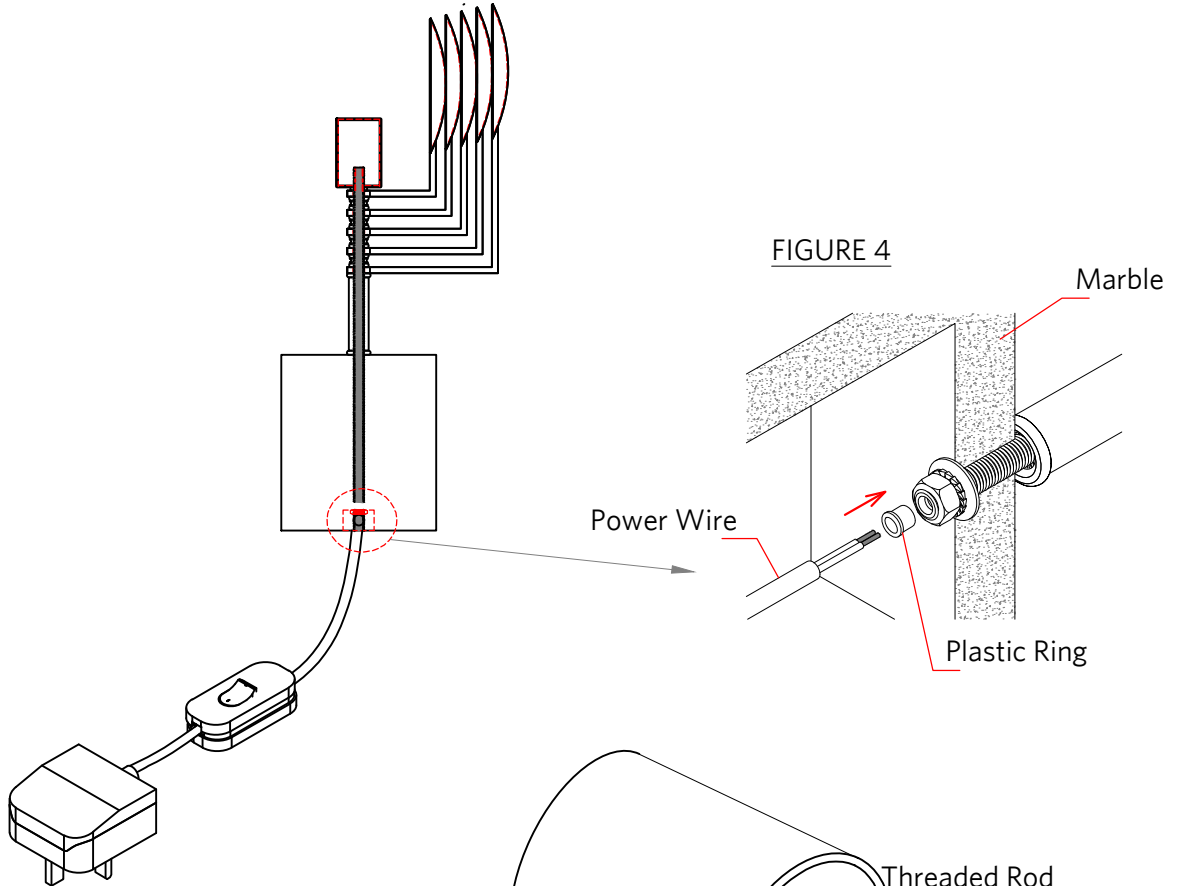


N E L L C O T E

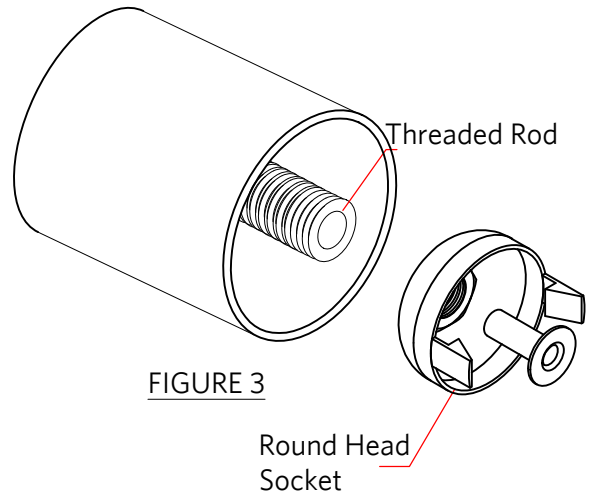
S T U D I O
www.NellcoteStudio.com

MARBLE & BRASS DECOR

1.



2. 1. Insert the electric wires from the lamp base through the round head socket and the plastic protector.
2. Connect these wires to the light bulb socket by manually inserting them into the pre-slots in bottom of the light bulb socket.



WARNING!

Do not connect both electric wires into 2 slots in the same side of the light bulb socket.

