

NOTE: TO BE SHIPPED DISASSEMBLED

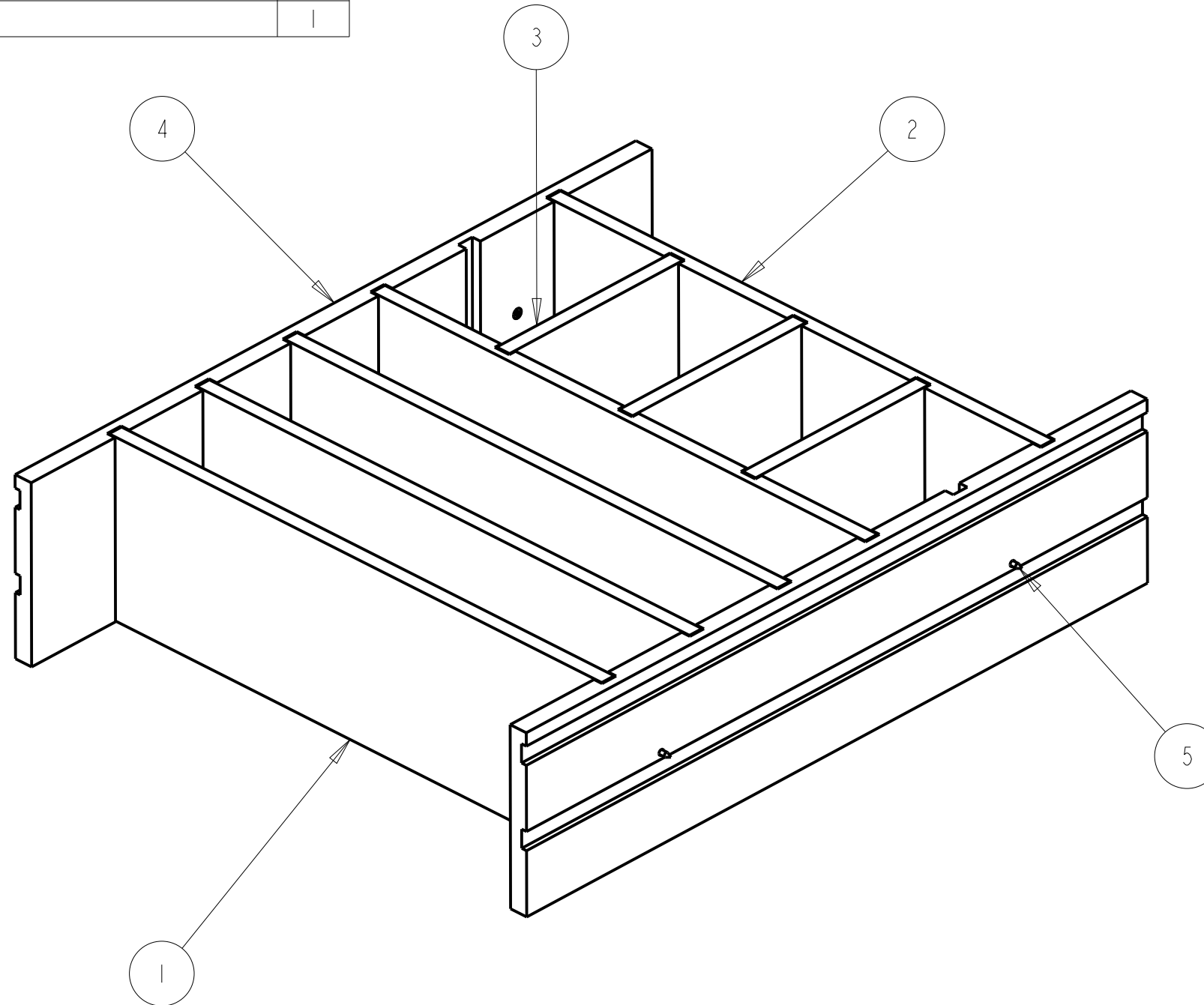
CUSTOMER DRAWING

This drawing is the property of Rev-A-Shelf (RAS) and is disclosed in confidence to the extent its subject matter is original to RAS. Any vendor receiving this drawing from RAS shall hold and use this drawing for the sole benefit of RAS and shall not disclose it to, or use or reproduce it for any third party, or perform any act adverse to the interest of RAS with respect to this drawing without the express written permission of RAS. Vendors shall not revise any physical, dimensional or performance characteristic unless authorized by Rev-A-Shelf Engineering.

| REV. | DATE | BY | DESCRIPTION OF CHANGE |
|------|------|----|-----------------------|
| | | | |
| | | | |
| | | | |

| | | | | | |
|--------------|------------------------|------------------------|--------|-------------|-------------------|
| INCH [MM] | AMERICAN PROJECTION | DRAWN | BY | DATE | REV-A-SHELF, INC. |
| | | | JAB | 11/15/22 | |
| TOLERANCES | | MATERIAL | | DRAWING NO. | SCALE |
| MAT. | DEC. | ANGLES ± 1/2° | FINISH | 4WDIV-30-1 | 0.250 |
| (WOOD) | .XX ±.03 [8mm] | | | PART NO. | SHEET OF |
| (OTHER) | .XX ±.02 [5mm] | | | 4WDIV-30-1 | 1 2 |
| (ALL) | .XXX ±.005 [13 mm] | FRACTIONS ±1/32 [8 mm] | | | |

| NO. | PART NUMBER | DESCRIPTION | QTY. |
|-----|-------------------|-----------------------------------------|------|
| 1 | 4DDRS-1 | DEEP DRAWER RAIL SYSTEM DIVIDER | 3 |
| 2 | 4DDRS-2 | DEEP DRAWER RAIL SYSTEM NOTCHED DIVIDER | 2 |
| 3 | 4DDRS-3 | DEEP DRAWER RAIL SYSTEM CROSS DIVIDER | 3 |
| 4 | 4DDRS2475-1 | 24.75" DEEP DRAWER RAIL SYSTEM TRACK | 2 |
| 5 | NO 8 X 1" | PHILLIPS FLAT HEAD SCREW | 4 |
| 6 | INSTRUCTION SHEET | | 1 |



CUSTOMER DRAWING

This drawing is the property of Rev-A-Shelf (RAS) and is disclosed in confidence to the extent its subject matter is original to RAS. Any vendor receiving this drawing from RAS shall hold and use this drawing for the sole benefit of RAS and shall not disclose it to, or use or reproduce it for any third party, or perform any act adverse to the interest of RAS with respect to this drawing without the express written permission of RAS. Vendors shall not revise any physical, dimensional or performance characteristic unless authorized by Rev-A-Shelf Engineering.

| REV. | DATE | BY | DESCRIPTION OF CHANGE |
|------|------|----|-----------------------|
| | | | |
| | | | |
| | | | |

| | | | | |
|-----------------------------------------------------------------------------------------------------------------------------------|---------------------|-----|----------|---------------------------|
| INCH [MM] | AMERICAN PROJECTION | BY | DATE | |
| | | JAB | 11/15/22 | |
| TOLERANCES MAT. DEC. (WOOD) .XX ±.03 [.8mm] (OTHER) .XX ±.02 [.5mm] (ALL) .XXX ±.005 [.13 mm] FRACTIONS ±1/32 [.8 mm] | | | | DRAWING NO. 4WDIV-30-1 |
| ANGLES ±1/2° | | | | SCALE 0.250 |
| MATERIAL | | | | PART NO. 4WDIV-30-1 |
| FINISH | | | | SHEET OF 2 2 |