

Evolve[®] EFMH/EFHH Series

Hazardous Location Flood Lights



CUSTOMER NAME _____

Project Name _____

Date _____ Type _____

Catalog Number _____

The EFMH and EFHH are a line of Hazardous Location Rated flood lights offering world class performance and durability for industrial, indoor or outdoor applications. Offering both medium output and high output, the EFMH and EFHH series respectively are ideal for severe duty applications including hazardous location ratings listed.

CONSTRUCTION

Housing:	Die cast aluminum housing with slim design
Lens:	Impact resistant tempered flat glass
Paint:	Corrosion resistant polyester powder painted, minimum 2.0 mil. thickness. RAL & custom colors available
Weight:	25-35 lb (11.3-15.9 kg)
Optical Assembly:	Reflective optic with flat glass lens

OPTICAL SYSTEM

Lumens:	6,400 - 39,000
Wattage:	50 - 196 W (EFMH) & 150 - 297 W (EFHH)
Efficacy:	104 - 156 LPW (EFMH) & 115 - 140 LPW (EFHH)
CCT:	3000K, 4000K, 5000K options
CRI:	70

ELECTRICAL

Input Voltage:	120-277 V & 347-480 V
Input Frequency:	50/60 Hz
Power Factor (PF)*:	> 90%*
Total Harmonic Distortion (THD)*:	< 20%*
Surge Protection:	ANSI 136.2-2015 6kV/3kA "Basic"
EMI:	Title 47 CFR15 Class A

* PF and THD may vary with options

CONTROLS

Dimming:	Not Available
-----------------	---------------

LUMEN MAINTENANCE

Projected Lxx per IES TM-21 at 25°C

EMFH01 Optical	Distribution	LXX(10K) @ Hours		
		25,000 HR	50,000 HR	60,000 HR
BB, CC	T3 & S2	L89	L80	L76
BB, CC, DD	65, 66, 76, & 77	L95	L92	L91
EE, FF	65, 66, 76, & 77	L93	L88	L86

EMHH01 Optical	Distribution	LXX(10K) @ Hours		
		25,000 HR	50,000 HR	60,000 HR
BB, CC, DD, EE	65, 66, 76, & 77	L95	L91	L90

Note: Projected Lxx based on LM80 (10,000 hour testing). Accepted industry tolerances apply to initial luminous flux and lumen maintenance measurements.

LUMINAIRE AMBIENT TEMPERATURE FACTOR

TYPE	TEMPERATURE RATE
OPERATING TEMPERATURE	-40°C to +50°C

MOUNTING

- **Option T2** = Stainless Steel Trunnion, with conduit entry

DESIGN LIFE & WARRANTY

- Current's Limited 5-year Warranty:
Please refer to document **IND599** for more information.

RATINGS

- **LM-79** tests and reports in accordance with IESNA standards
- **Safety:** UL/cUL Listed, suitable for wet locations.
- **UL1598:** Suitable for wet locations
- **UL1598A:** Outside Type (Saltwater)
- **UL844** Listed
 - Class I Div 2, Group A, B, C, and D (Zone 2)
 - Class II Div 2, Group F & G (Zone 22)
 - Class III Div 1 & 2
 - For Indoor and Outdoor Applications
- **IP66** optical enclosure per ANSI C136.25-2009
- 3G vibration level per ANSI C136.31-2010



Evolve® EFMH/EFHH Series

Hazardous Location Flood Lights

Ordering Information

CUSTOMER NAME

Project Name _____

Date _____ Type _____

Catalog Number _____

EFMH Ordering Information:

EFMH 01 **7** **N** **A** **T2**

PRODUCT ID	GEN.	VOLTAGE	OPTIC CODE	DISTRIBUTION	CRI	CCT	DIMMING	CONTROLS	MOUNTING ARM	FINISH	OPTIONS
E = Evolve FM = Flood Medium H = Hazardous	01 = 1st Gen	0 = 120-277V H = 347-480V			7 = 70 (min)	30 = 3000K 40 = 4000K 50 = 5000K	N = No PE receptacle & non-dimmable	A = No Control	T2 = Trunion with conduit entry.	GRAY = Gray BLACK = Black DKBZ = Dark Bronze WHITE = White	L = Tool-Less Entry XXX = Special Options

OPTICAL CODE	DIST. CODE	OPTICAL DIST./NEMA CLASS	TYPICAL INITIAL LUMENS		TYPICAL SYSTEM WATTAGE	IES FILE NUMBER						
			3000K	4000K/5000K		3000K		4000K		5000K		
			3000K	4000K/5000K	120-277V	347-480V	120-277V	347-480V	120-277V	347-480V	120-277V	347-480V
BB	77	7x7	9800	10000	64	EFMH01_BB77730_IES		EFMH01_BB77740_IES		EFMH01_BB77750_IES		
CC	77	7x7	14700	15000	96	EFMH01_CC77730_IES		EFMH01_CC77740_IES		EFMH01_CC77750_IES		
DD	77	7x7	20400	20900	146	EFMH01_DD77730_IES		EFMH01_DD77740_IES		EFMH01_DD77750_IES		
EE	77	7x7	23400	24000	175	EFMH01_EE77730_IES		EFMH01_EE77740_IES		EFMH01_EE77750_IES		
FF	77	7x7	26200	27000	196	EFMH01_FF77730_IES		EFMH01_FF77740_IES		EFMH01_FF77750_IES		
BB	76	7x6	9500	9700	64	EFMH01_BB76730_IES		EFMH01_BB76740_IES		EFMH01_BB76750_IES		
CC	76	7x6	14300	14600	96	EFMH01_CC76730_IES		EFMH01_CC76740_IES		EFMH01_CC76750_IES		
DD	76	7x6	19900	20400	146	EFMH01_DD76730_IES		EFMH01_DD76740_IES		EFMH01_DD76750_IES		
EE	76	7x6	23300	23900	175	EFMH01_EE76730_IES		EFMH01_EE76740_IES		EFMH01_EE76750_IES		
FF	76	7x6	25600	26300	196	EFMH01_FF76730_IES		EFMH01_FF76740_IES		EFMH01_FF76750_IES		
BB	66	6x6	9400	9600	64	EFMH01_BB66730_IES		EFMH01_BB66740_IES		EFMH01_BB66750_IES		
CC	66	6x6	14200	14500	96	EFMH01_CC66730_IES		EFMH01_CC66740_IES		EFMH01_CC66750_IES		
DD	66	6x6	19700	20200	146	EFMH01_DD66730_IES		EFMH01_DD66740_IES		EFMH01_DD66750_IES		
EE	66	6x6	22900	23500	175	EFMH01_EE66730_IES		EFMH01_EE66740_IES		EFMH01_EE66750_IES		
FF	66	6x6	25200	23900	196	EFMH01_FF66730_IES		EFMH01_FF66740_IES		EFMH01_FF66750_IES		
BB	65	6x5	8900	9100	64	EFMH01_BB65730_IES		EFMH01_BB65740_IES		EFMH01_BB65750_IES		
CC	65	6x5	13400	13700	96	EFMH01_CC65730_IES		EFMH01_CC65740_IES		EFMH01_CC65750_IES		
DD	65	6x5	18700	19100	146	EFMH01_DD65730_IES		EFMH01_DD65740_IES		EFMH01_DD65750_IES		
EE	65	6x5	21600	22200	175	EFMH01_EE65730_IES		EFMH01_EE65740_IES		EFMH01_EE65750_IES		
FF	65	6x5	23800	24400	196	EFMH01_FF65730_IES		EFMH01_FF65740_IES		EFMH01_FF65750_IES		
AA*	T3	Type 3	6400	6600	50	EFMH01_AAT3730_IES		EFMH01_AAT3740_IES		EFMH01_AAT3750_IES		
BB	T3	Type 3	10200	10500	88	EFMH01_BBT3730_IES		EFMH01_BBT3740_IES		EFMH01_BBT3750_IES		
CC	T3	Type 3	14700	15000	141	EFMH01_CCT3730_IES		EFMH01_CCT3740_IES		EFMH01_CCT3750_IES		
AA*	S2	20° Spot	7100	7300	50	EFMH01_AAS2730_IES		EFMH01_AAS2740_IES		EFMH01_AAS2750_IES		
BB	S2	20° Spot	11300	11600	88	EFMH01_BBS2730_IES		EFMH01_BBS2740_IES		EFMH01_BBS2750_IES		
CC	S2	20° Spot	16300	16700	141	EFMH01_CCS2730_IES		EFMH01_CCS2740_IES		EFMH01_CCS2750_IES		

LUMINAIRE	OPERATING TEMPERATURE CODE		
	CLASS 1, DIV. 2 GROUP A, B, C, & D ZONE 2 GROUP IIA, IIB, IIC, & IIB PLUS HYDROGEN	CLASS II, DIV. 2 GROUP F & G ZONE 22	CLASS 1, DIV. 2 & CLASS II, DIV. 2 SIMULTANEOUS
EFMH	T3A	T3A	T3A
EFHH	T3A	T3A	T3A

Evolve® EFMH/EFHH Series

Hazardous Location Flood Lights

Ordering Information

CUSTOMER NAME

Project Name _____

Date _____ Type _____

Catalog Number _____

EFHH Ordering Information:

EFHH 01 **7** **N** **A** **T2**

PRODUCT ID	GEN.	VOLTAGE	OPTIC CODE	DISTRIBUTION	CRI	CCT	DIMMING	CONTROLS	MOUNTING ARM	FINISH	OPTIONS
E = Evolve FM = Flood H-Series H = Hazardous	01 = 1st Gen	0 = 120-277V H = 347-480V			7 = 70 (min)	30 = 3000K 40 = 4000K 50 = 5000K	N = No PE receptacle & non-dimmable	A = No Control	T2 = Trunnion with conduit entry.	GRAY = Gray BLCK = Black DKBZ = Dark Bronze WHITE = White	L = Tool-Less Entry XXX = Special Options

OPTICAL CODE	DIST. CODE	NEMA CLASS	TYPICAL INITIAL LUMENS			TYPICAL SYSTEM WATTAGE	IES FILE NUMBER		
			3000K	4000K	5000K		3000K	4000K	5000K
AA	77	7x7	18900	19300	19500	150	EFHH01_AA77730____.IES	EFHH01_AA77740____.IES	EFHH01_AA77750____.IES
BB	77	7x7	26300	26800	27100	194	EFHH01_BB77730____.IES	EFHH01_BB77740____.IES	EFHH01_BB77750____.IES
CC	77	7x7	29100	29700	30000	218	EFHH01_CC77730____.IES	EFHH01_CC77740____.IES	EFHH01_CC77750____.IES
DD	77	7x7	34000	34700	35000	266	EFHH01_DD77730____.IES	EFHH01_DD77740____.IES	EFHH01_DD77750____.IES
EE	77	7x7	37900	38700	39000	297	EFHH01_EE77730____.IES	EFHH01_EE77740____.IES	EFHH01_EE77750____.IES
AA	76	7x6	18500	18800	19000	150	EFHH01_AA76730____.IES	EFHH01_AA76740____.IES	EFHH01_AA76750____.IES
BB	76	7x6	25700	26200	26500	194	EFHH01_BB76730____.IES	EFHH01_BB76740____.IES	EFHH01_BB76750____.IES
CC	76	7x6	28400	29000	29300	218	EFHH01_CC76730____.IES	EFHH01_CC76740____.IES	EFHH01_CC76750____.IES
DD	76	7x6	33200	33900	34200	266	EFHH01_DD76730____.IES	EFHH01_DD76740____.IES	EFHH01_DD76750____.IES
EE	76	7x6	37100	37800	38100	297	EFHH01_EE76730____.IES	EFHH01_EE76740____.IES	EFHH01_EE76750____.IES
AA	66	6x6	18200	18600	18800	150	EFHH01_AA66730____.IES	EFHH01_AA66740____.IES	EFHH01_AA66750____.IES
BB	66	6x6	25400	25900	26200	194	EFHH01_BB66730____.IES	EFHH01_BB66740____.IES	EFHH01_BB66750____.IES
CC	66	6x6	28100	28700	29000	218	EFHH01_CC66730____.IES	EFHH01_CC66740____.IES	EFHH01_CC66750____.IES
DD	66	6x6	32800	33500	33800	266	EFHH01_DD66730____.IES	EFHH01_DD66740____.IES	EFHH01_DD66750____.IES
EE	66	6x6	36600	37400	37700	297	EFHH01_EE66730____.IES	EFHH01_EE66740____.IES	EFHH01_EE66750____.IES
AA	65	6x5	17300	17700	17900	150	EFHH01_AA65730____.IES	EFHH01_AA65740____.IES	EFHH01_AA65750____.IES
BB	65	6x5	24100	24600	24800	194	EFHH01_BB65730____.IES	EFHH01_BB65740____.IES	EFHH01_BB65750____.IES
CC	65	6x5	26700	27200	27500	218	EFHH01_CC65730____.IES	EFHH01_CC65740____.IES	EFHH01_CC65750____.IES
DD	65	6x5	31200	31800	32100	266	EFHH01_DD65730____.IES	EFHH01_DD65740____.IES	EFHH01_DD65750____.IES
EE	65	6x5	34800	35500	35800	297	EFHH01_EE65730____.IES	EFHH01_EE65740____.IES	EFHH01_EE65750____.IES

Evolve® EFMH/EFHH Series

Hazardous Location Flood Lights

Dimensions

AGENT/DISTRIBUTOR NAME-LOGO _____

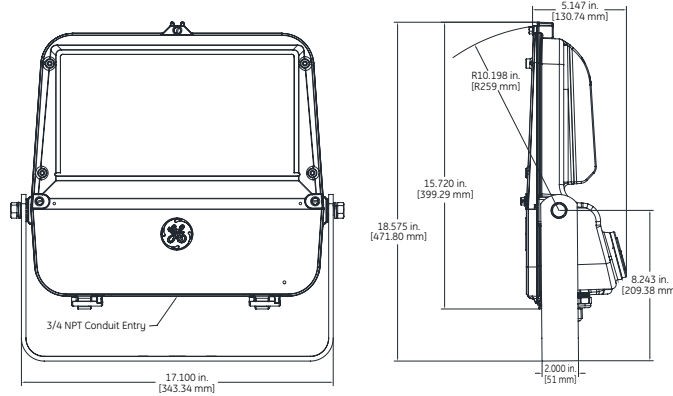
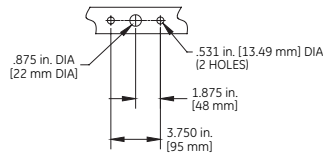
Project Name _____

Date _____ Type _____

Catalog Number _____

TRUNNION MOUNT EFMH PRODUCT DIMENSIONS

Mounting Drill Template

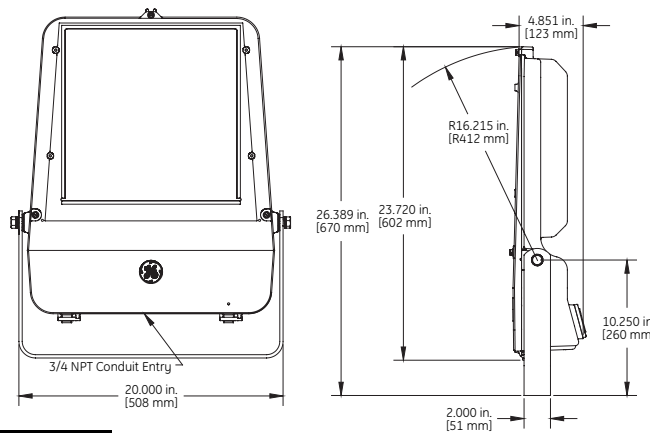
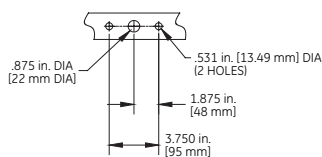


DATA

- Approximate net weight:
25 lbs (11.34 kgs)
- Effective Projected Area:
 - 0° aim (vertical glass) 1.96 sq. ft.
 - 45° aim 1.22 sq. ft.
 - Side profile (all aims) 0.73 sq. ft.
 - 90° (downward) aim 0.79 sq. ft.

TRUNNION MOUNT EFHH PRODUCT DIMENSIONS

Mounting Drill Template



DATA

- Approximate net weight:
35 lbs (15.9 kgs)
- Effective Projected Area:
 - Vertical 3.51 sq. ft. (0.33 sq. M)(aimed at horizon)
 - Tilted 1.79 sq. ft. (0.17 sq. M)(aimed down 45° degrees).