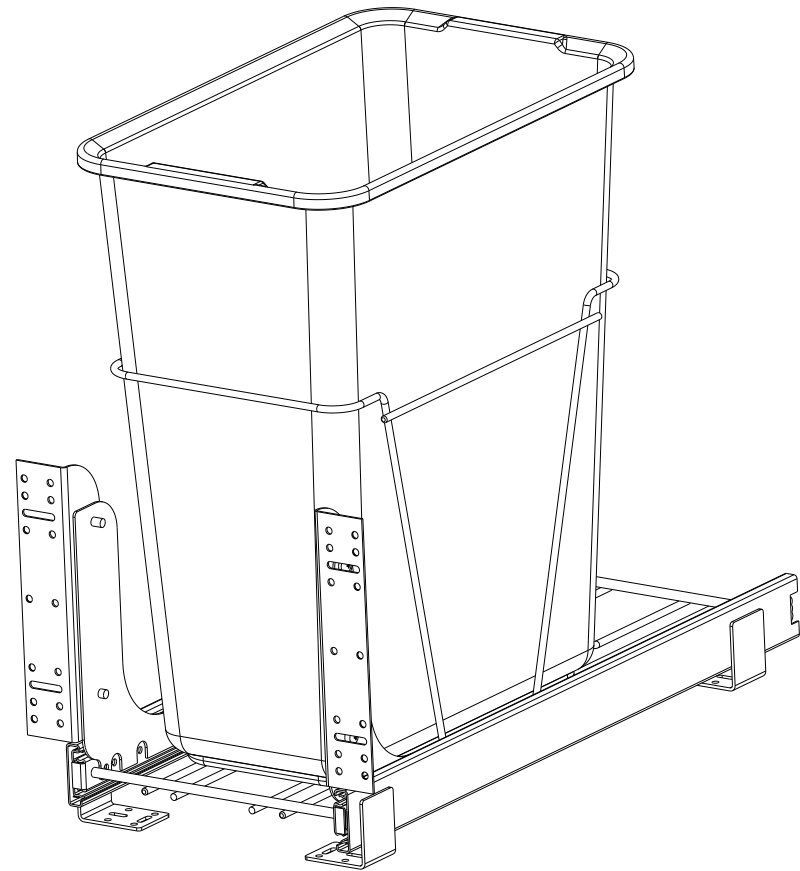


CUSTOMER DRAWING

This drawing is the property of Rev-A-Shelf (RAS) and is disclosed in confidence to the extent its subject matter is original to RAS. Any vendor receiving this drawing from RAS shall hold and use this drawing for the sole benefit of RAS and shall not disclose it to, or use or reproduce it for any third party, or perform any act adverse to the interest of RAS with respect to this drawing without the express written permission of RAS. Vendors shall not revise any physical, dimensional or performance characteristic unless authorized by Rev-A-Shelf Engineering.

REV.	DATE	BY	DESCRIPTION OF CHANGE

INCH [MM]	AMERICAN PROJECTION 	BY	DATE	REV-A-SHELF, INC.	
		PFC	6/1/22	SIZE B	SINGLE 300T WIRE PULLOUT
TOLERANCES		MATERIAL	DRAWING NO.		
MAT.	DEC.		RV-9PB S		
(WOOD)	.XX ±.03 [8mm]	FINISH	SCALE		
(OTHER)	.XX ±.02 [5mm]		0.188		
(ALL)	.XXX ±.005 [13 mm]	PART NO.		SHEET OF	
FRACTIONS	±1/32 [8 mm]	RV-9PB S		1 2	



PART DIMENSIONS	
WIDTH	9.65 [245]
DEPTH	22.32 [566.8]
HEIGHT	19.41 [493.1]
CONTAINER CAPACITY	30
CONTAINER UOM	QUART

MIN CABINET OPENING				
	FACE FRAME	FRAMELESS	INSET FACE FRAME	INSET FRAMELESS
WIDTH	10.00 [254]	10.00 [254]	10.00 [254]	10.00 [254]
DEPTH	22.32 [566.8]	22.32 [566.8]	23.07 [585.9]	23.07 [585.9]
HEIGHT	19.75 [501.7]	19.75 [501.7]	19.75 [501.7]	19.75 [501.7]

SLIDE SPECIFICATIONS				
SLIDE MANUFACTURER	ACCURIDE			
SLIDE PART NUMBER	3892-919X	RELEASE PART NUMBER	N/A	
SLIDE TYPE	BALL BEARING	SLIDE EXTENSION	FULL EXTENSION	MAX WEIGHT RATING
SLIDE CLOSING	N/A	SLIDE LENGTH	22.00 [559.0]	
SLIDE MOUNTING	BOTTOM	SLIDE FINISH	WHITE E-COAT	100LB

CUSTOMER DRAWING

This drawing is the property of Rev-A-Shelf (RAS) and is disclosed in confidence to the extent its subject matter is original to RAS. Any vendor receiving this drawing from RAS shall hold and use this drawing for the sole benefit of RAS and shall not disclose it to, or use or reproduce it for any third party, or perform any act adverse to the interest of RAS with respect to this drawing without the express written permission of RAS. Vendors shall not revise any physical, dimensional or performance characteristic unless authorized by Rev-A-Shelf Engineering.

REV.	DATE	BY	DESCRIPTION OF CHANGE

INCH [MM]	AMERICAN PROJECTION 	DRAWN	BY	DATE	REV-A-SHELF, INC.
			PFC	6/1/22	
TOLERANCES		ANGLES ±1/2°	MATERIAL	DRAWING NO.	SCALE
MAT.	DEC.			RV-9PB S	0.188
(WOOD)	.XX ±.03 [.8mm]	FINISH	PART NO.	SHEET OF	
(OTHER)	.XX ±.02 [.5mm]			RV-9PB S	2
(ALL)	.XXX ±.005 [.13 mm]				
FRACTIONS	±1/32 [.8 mm]				