

EML3

LED Emergency Light

Product Description

The EML3 LED emergency light combines a low-profile, standard design in an affordable package. The EML3 Series is available in white and black and offers universal mounting, a test button with AC indicator, damp location listing, and a remote capable option. With fully adjustable heads, the EML3 Series complements any design application.

Construction

- Injection molded thermoplastic ABS housing.
- White and Black finishes available.
- UL-94v-0 Flame rating - Flame Retardant
- Adjustable heads for aiming light where required
 - Head tilt: +25°/-90°
 - Head rotation: 330°
- Damp location rated
- Operating temperature: 32°F - 104°F (0°C - 40°C)

Optical System

- Precision engineered Prismatic Lens

Electrical

- Input power 2.1W at 120/277VAC
- Remote output power 2.4W at 3.6VDC
- Supports up to two (2) single or one (1) double 3.6VDC NICOR remote lamps (see comp. chart)
- 90 minute capacity (including remote lamps)

Mounting and installation

- Easy installation into a standard junction box or conduit
- Universal mounting plate with EZ quick connect

Warranty

- 1-year limited system standard

Project

Catalog

Type

Date



EML3

LED Emergency Light

Ordering Information

Example: EML310UNVWH

Series	Version	Voltage	Housing Color	Remote Lamp Option
EML3	10 (1.0)	UNV (120-277V)	WH (white)	BLANK (non-remote)
			BK (Black)	R (remote lamp capable)

Remote Head Accessories

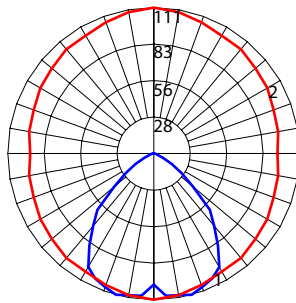
Standard Single Remote Head	ERH1
Standard Double Remote Head	ERH2
Waterproof Single Remote Head	ERHWP1
Waterproof Double Remote Head	ERHWP2

*Not a complete list. Check compatibility before installation.

Photometric Data

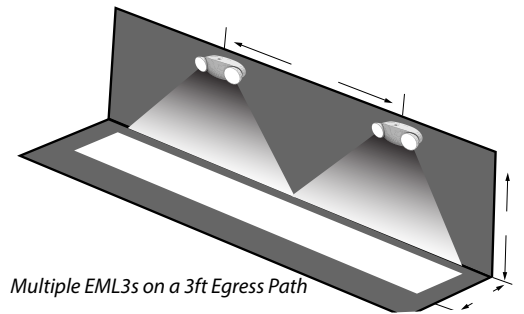
EML3

Input Voltage (VAC)	120/277
System Level Power (W)	2.1
Delivered Lumens (Lm)	203
System Efficacy (Lm/W)	97.8
Correlated Color Temp (K)	6781
Color Rendering Index (CRI)	83
Beam Angle (0)	91.5
Beam Angle (90)	75.1
Spacing Criteria (0)	1.06
Spacing Criteria (90)	1.36

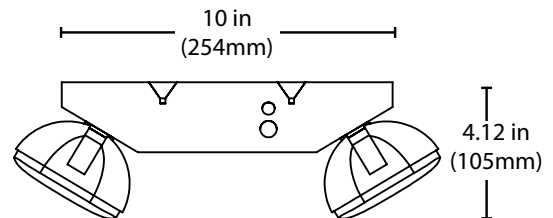
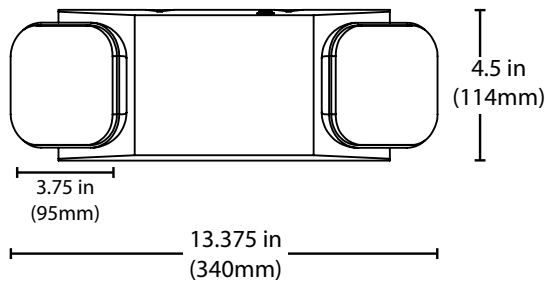


Intensity Summary (Candle Power)

Angle	Mean CP
0	100
5	96
15	96
25	77
35	55
45	29
55	8
65	3
75	1
85	0
90	0



Dimensions



GENERAL PRODUCT WARRANTY. Each NICOR product will be free from defect in materials and workmanship for a period of one (1) year from the date of delivery to the end-user. Powder Coat paint finish on products, other than natural aluminum or brass, will not exhibit cracking, peeling, excessive fading, or corrosion during the warranty period. Exceptions apply as defined in each NICOR product's specification sheets, which are incorporated by reference herein. Warranty does not cover improper installation, operation, alterations, power surges, overheating due to external conditions, or acts of nature including but not limited to lightning strikes.

POLE WARRANTY. Each NICOR Pole will be free from defect in materials and workmanship for a period of (1) year from the date of delivery to the end-user. Powder Coat paint finish on products, other than natural aluminum or brass, will not exhibit cracking, peeling, excessive fading, or corrosion during the warranty period. Poles must be installed by a properly insured and licensed contractor, using the supplied anchor bolts and mounting templates. Using a pole product in any manner other than as disclosed in the Application Specification automatically voids the warranty and may cause failure resulting in injury, death, or significant property damage.

ALL NICOR WARRANTIES APPLY ONLY TO NICOR PRODUCTS THAT HAVE BEEN PURCHASED FROM AN AUTHORIZED NICOR DISTRIBUTOR; WHO PURCHASED THE PRODUCT DIRECTLY FROM NICOR; THE PRODUCT WAS NEW AND IN AN UNOPENED NICOR PACKAGE AT THE TIME OF INSTALLATION; AND WAS INSTALLED BY A LICENSED ELECTRICIAN OR UNDER THE SUPERVISION OF A LICENSED ELECTRICIAN.