

Required System Parts:

(1) Swidget Switch.....P/N: L-S16001WA-1

Accessories (sold separately):

Swidget Wi-Fi Control Insert..... L-WI000UWA-1
Swidget Wi-Fi Control + USB Charger Insert..... L-WI001UWA-1
Swidget Wi-Fi Control + Guide Light Insert..... L-WI002UWA-1
Swidget Wi-Fi Control + Motion Sensor Insert L-WI004UWA-1

Installation Instructions

Swidget Standard Switch Single Pole/Three-Way



This device is designed to be installed in a wall box measuring at least 3" x 2" x 2.5" and wired in accordance with NEC article 314 box fill requirements – within indoor applications only.

READ ALL INSTRUCTIONS BEFORE INSTALLING SYSTEM.

Before beginning installation, turn off power at circuit breaker or fuse and test that the power is off before wiring.

Wire the device as per the wiring diagram provided using the wire nuts provided. The wire nuts can accommodate three #14AWG wires.

1. Connect the Swidget device black wire to the hot wire (black) in the wall box.
2. Connect the Swidget device white wire to the neutral wire (white) in the wall box.
3. Connect the Swidget device red wire to the load wire for Single Pole or a Standard Three-Way Switch Terminal (see diagram).
4. Connect the Swidget device blue wire to remaining Standard Three-Way Switch Terminal (see diagram). Do not connect for Single Pole wiring – leave the end capped with one of the wire nuts provided.
5. This device must be properly grounded for shock protection. To do this, connect the wall box ground wire (green or bare) to the Swidget device's green terminal screw.
6. Mount device to wall box using the provided screws, attach the wall plate (sold separately), and restore power.

SWITCH CONTROLS

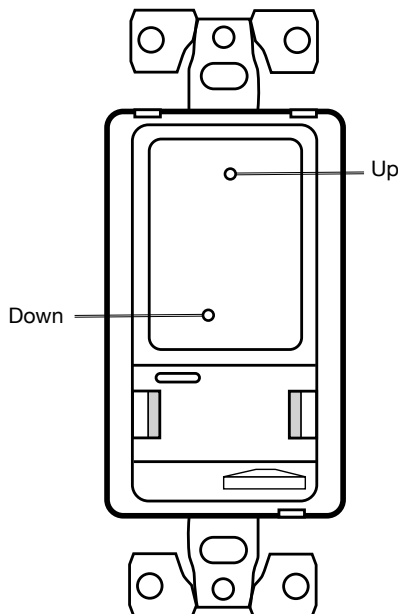
Note: No Swidget insert is required for normal Switch operation. Both the UP and DOWN positions TOGGLE the switch state.

With Lights OFF

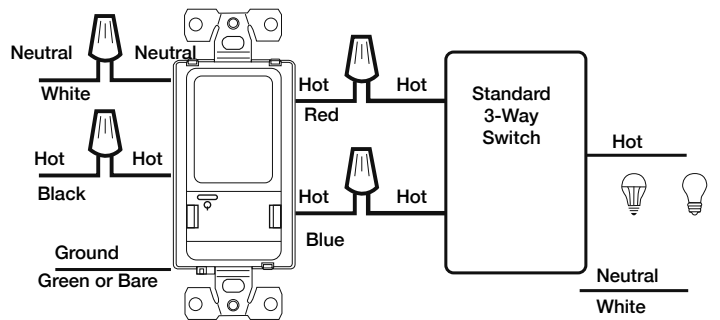
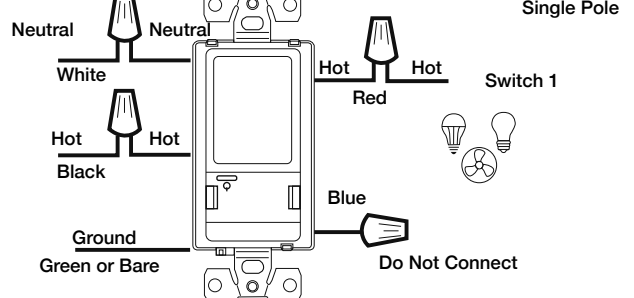
PRESS and RELEASE either UP or DOWN will turn the Lights ON.

With Lights ON

PRESS and RELEASE either UP or DOWN will turn the Lights OFF



Wiring Diagram



IMPORTANT SAFETY INSTRUCTIONS

TO AVOID FIRE, SHOCK OR DEATH, TURN OFF POWER AT THE CIRCUIT BREAKER OR FUSE AND TEST THAT THE POWER IS OFF BEFORE WIRING!

- If you are not sure about any part of these instructions, consult an electrician.
- Only use copper wire, do not use aluminum wire with this device.
- A single branch circuit shall supply the device.
- Use only with permanently installed fixtures.
- For INDOOR use only.
- When used with power output Swidget inserts, use only appropriate Class 2 connectors with interconnecting cables and any cables shall be routed away from the receptacle outlet slots. Class 2 output connectors are not intended for supporting products or appliances.
- Do not exceed total 5A – 125VAC rating.
- Maximum load types – LED/CFL = 300W, Incandescent = 600W, Motor = 1/3 HP (single pole wiring only).
- Only to be used with approved/certified Swidget inserts; a Swidget insert is to be installed at all times.
- Use only with listed inserts designed for use with this outlet.

Save these instructions for future reference.



Tresco Lighting by Rev-A-Shelf
12400 Earl Jones Way
Louisville, KY 40299
Tel: 800-227-1171
Fax: 502-491-2215
Email: cservice@trescolighting.com
Web: www.trescolighting.com

Required System Parts:

(1) Swidget Switch.....P/N: L-S16001WA-1

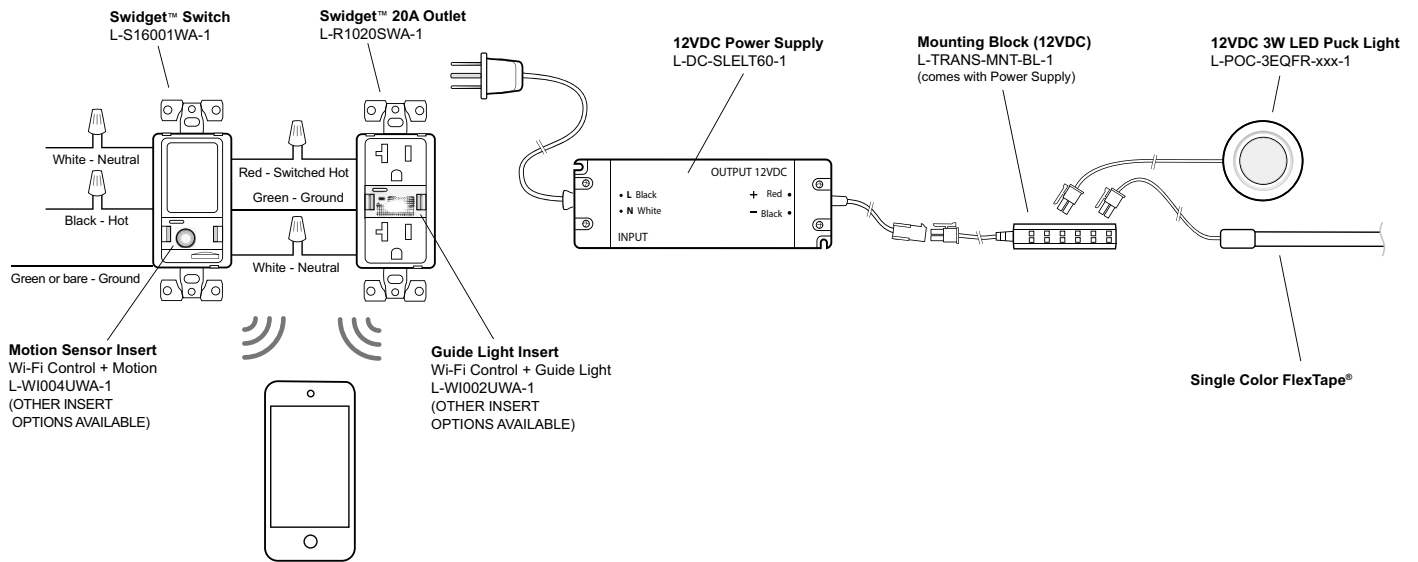
Installation Instructions

**Swidget Standard Switch
Single Pole/Three-Way**

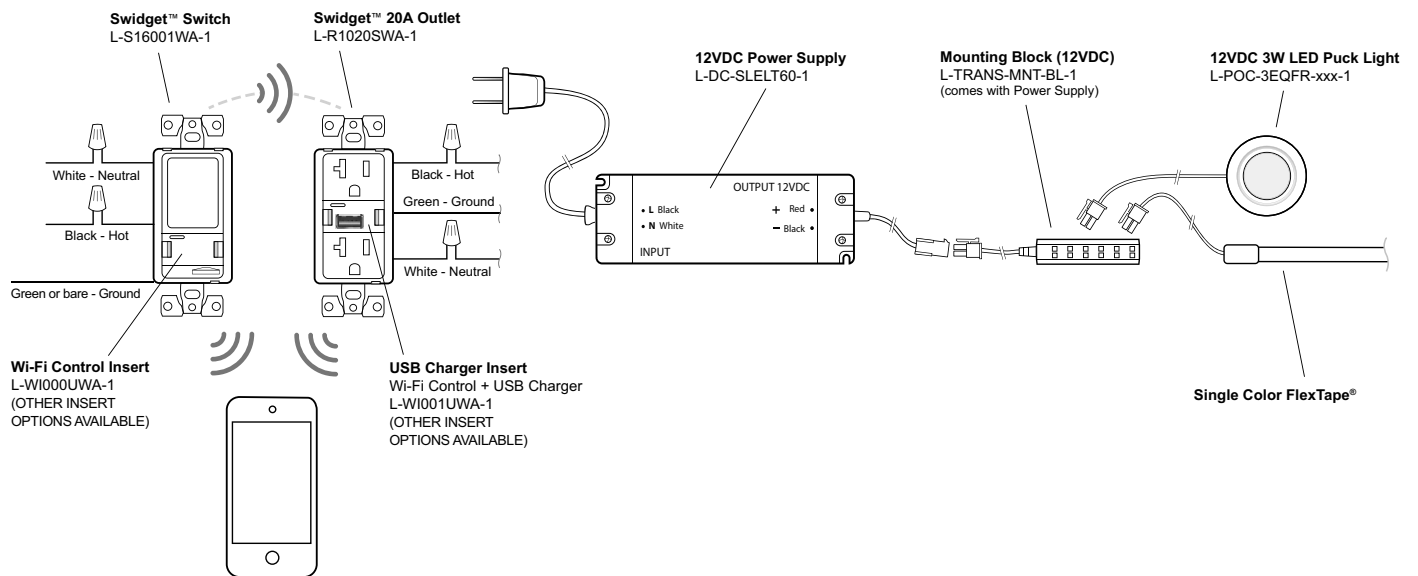
Accessories (sold separately):

Swidget Wi-Fi Control Insert..... L-WI000UWA-1
 Swidget Wi-Fi Control + USB Charger Insert..... L-WI001UWA-1
 Swidget Wi-Fi Control + Guide Light Insert..... L-WI002UWA-1
 Swidget Wi-Fi Control + Motion Sensor Insert L-WI004UWA-1

Swidget Switch wired to Outlet connected to 12VDC LED Puck & FlexTape®



Swidget Switch with Smart Outlet wired independently connected to 12VDC LED Puck & FlexTape®



Save these instructions for future reference.



Tresco Lighting by Rev-A-Shelf
 12400 Earl Jones Way
 Louisville, KY 40299
 Tel: 800-227-1171
 Fax: 502-491-2215
 Email: cservice@trescolighting.com
 Web: www.trescolighting.com