

Thank you for choosing this quality product. Be sure to check all packaging materials carefully for small parts that may have become loose during shipment and place all parts on a non-abrasive surface.

IMPORTANT :These parts can be cumbersome and heavy to some people, therefore the assistance of three or more people is recommended in order to prevent personal injury and ensure the furniture is not damaged during the assembly Process.

CARE INSTRUCTIONS

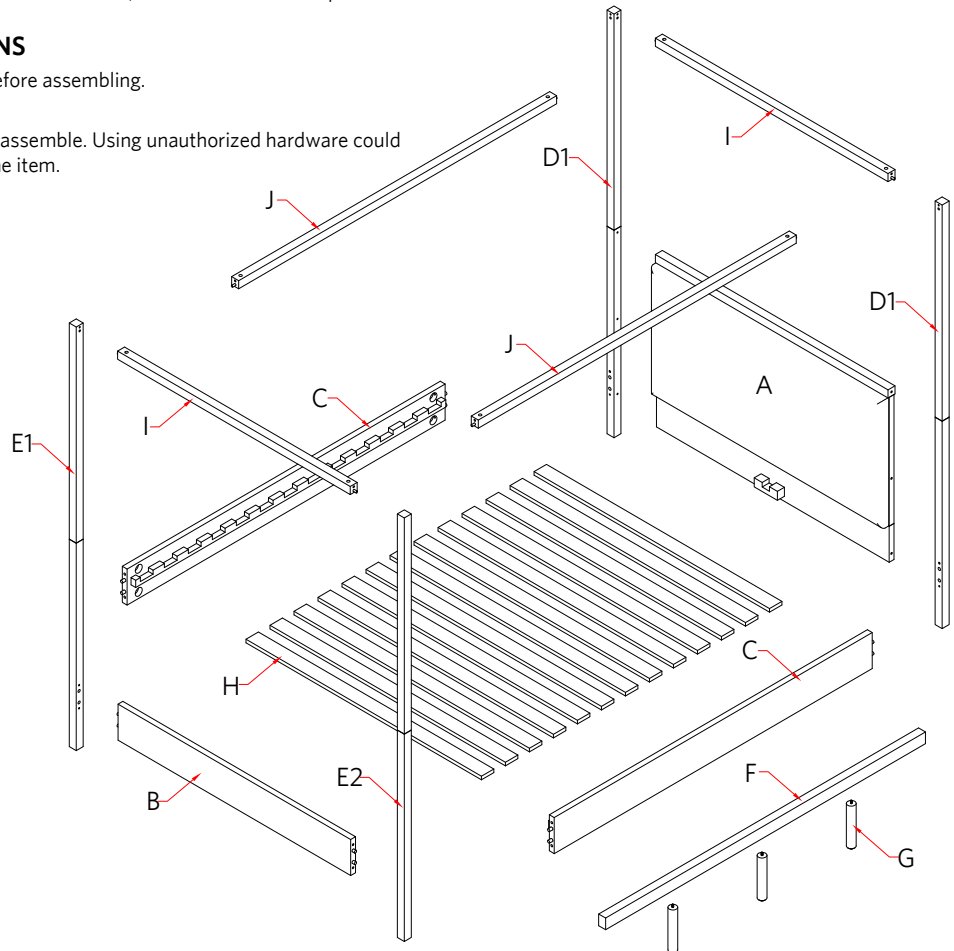
1. Dust often using a clean, soft, dry and lint-free cloth.
2. Blot spills immediately and wipe with a clean, damp, cloth.
3. We do not recommend the use of chemical cleansers, abrasives or furniture polish on our lacquered finish.

IMPORTANT SAFETY INSTRUCTIONS

1. Please read all instructions carefully before assembling.
2. Keep instructions for future use.
3. Use only vendor supplied hardware to assemble. Using unauthorized hardware could jeopardize the structural integrity of the item.

PART LIST

- A [1] HEADBOARD PANEL
- B [1] FOOTBOARD PANEL
- C [2] SIDE RAILS
- D1 [1] HEADBOARD POST (LEFT)
- D2 [1] HEADBOARD POST (RIGHT)
- E1 [1] FOOTBOARD POST (LEFT)
- E2 [1] FOOTBOARD POST (RIGHT)
- F [1] SUPPORT SLAT
- G [3] SUPPORT LEG
- H [13] BED SLATS
- I [2] SHORT CANOPY RAILS
- J [2] LONG CANOPY RAILS



HARDWARE LIST







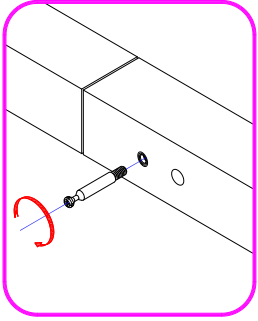
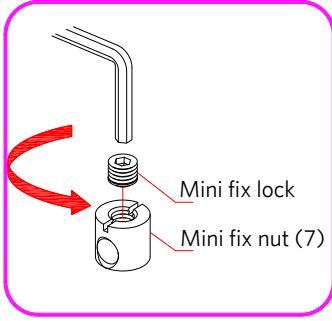
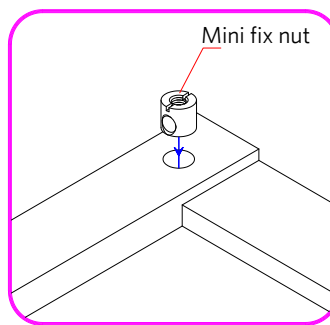
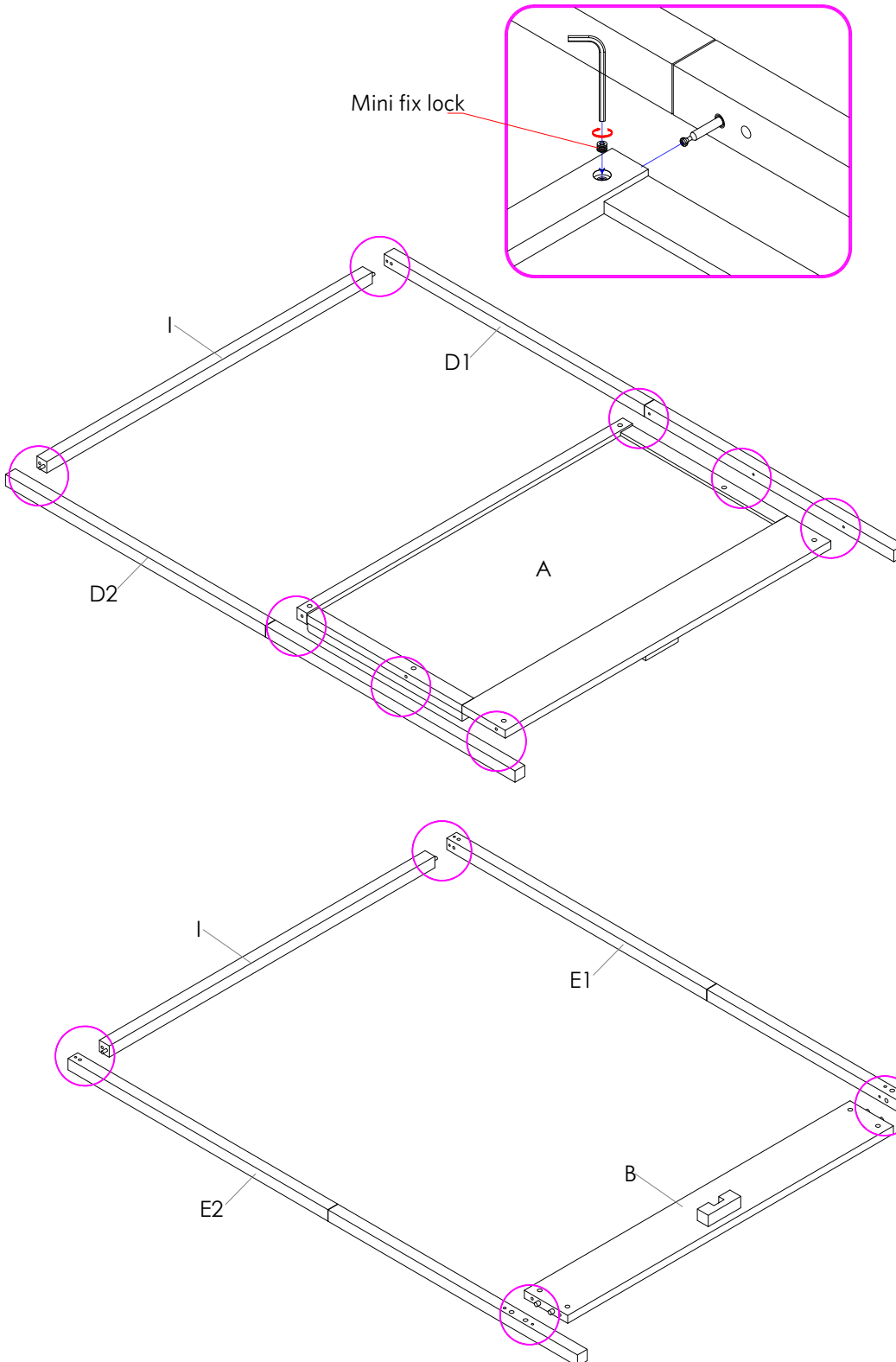
NO.		DESCRIPTION	QTY
1		THREADED ROD	8 PCS
2		CURVED WASHER	8 PCS
3		LOCK WASHER	8 PCS
4		HEXAGONAL NUT	8 PCS
5		WRENCH	1 PC
6		MINI FIX BOLT	18 PCS
7		MINI FIX LOCK WITH LOCK	18 PCS
8		ALLEN KEY	2 PCS

FIGURE 1A**FIGURE 1B****FIGURE 1C****FIGURE 1D****ASSEMBLY INSTRUCTION**

The bed is composed of several components: The headboard, foot board, side rails, support slats, slats, post, , canopy rail. Determine the intended location and ensure there is enough space to work with and fully read these instructions before physically doing the entire assembly.

STEP #1:

Attach the minifix bolts (6) into the fixed nuts on the Headboard post (D1/D2) as per illustrated in **FIGURE 1A**.

STEP #2:

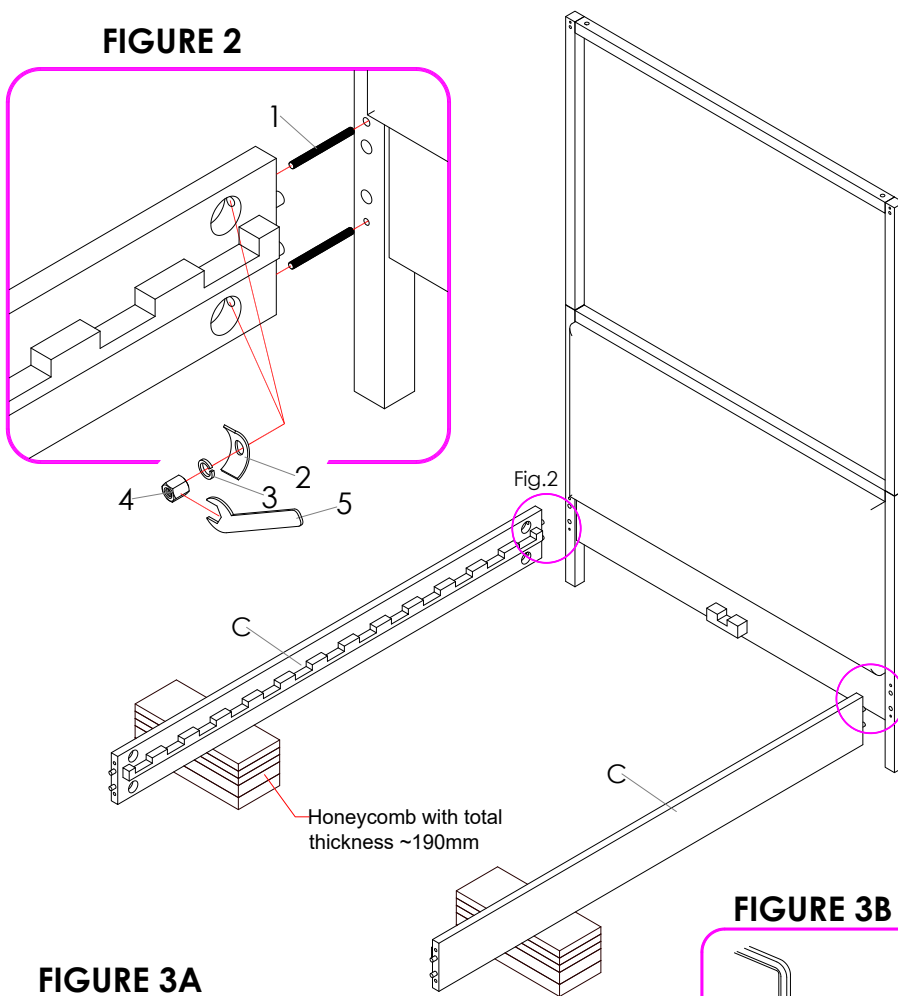
Remove the mini fix lock from the mini fix nut (7), as per illustrated in **FIGURE 1B**. Insert the minifix nuts into the holes on back of Headboard panel (A) and top of the Short canopy (I), then use a screwdriver to adjust the minifix nut to make sure the hole on it is aligned with the bore hole on the end of the canopy, as per illustrated in **FIGURE 1C**.

STEP #3:

Align the minifix bolt (6) on the headboard posts (D) into the minifix nut (7) through the bore hole on the end of the headboard panel (A) and the canopy (I). Re-insert the minifix lock to secure the minifix bolt to the minifix nut, and the headboard panel and canopy will be fixed to the headboard post. See **FIGURE 1D**

STEP #4:

Repeat all the above procedure with the other Footboard panel (B) and canopy rail (I) to attach it to the footboard post (E1/E2).

FIGURE 2**STEP #5:**

Place the headboard assembled upright in the position you wish the bed to be in when fully assembled. The headboard bed fast hardware should be facing inside, toward the mattress. Secure the threaded rod (1) to the fixed nut in the headboard by simply turning it manually. Raise the side rail (C) and place the rod (1) to align with the bore holes on the end of the side rails (C). Put the side rails (C) up against the headboard so the threaded rods (1) go through the bore holes. Insert curved washer (2), lock washer (3) and place hex nuts (4) on threaded rod (1) then tighten the hex nuts (4) with wrench (5) provided, see **FIGURE 2**.

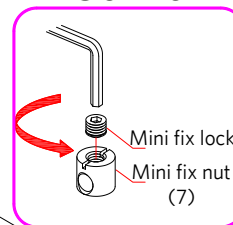
On the other end of the lower side rail, insert honeycomb (total thickness is approximately 190mm) to level the lower side rail. You may use honeycomb from packing material. The combination of 2 layers honeycomb 50thk and 3 layers honeycomb 30thk is recommended.

STEP #6:

Repeat the above procedure with the other side rail (C) to attach it to the headboard.

STEP #7:

Attach the minifix bolts (6) into the fixed nuts on the headboard as per illustrated in **FIGURE 3A**.

FIGURE 3B**STEP #8:**

Remove the mini fix lock from the mini fix nut (7), as per illustrated in **FIGURE 3B**. Insert the minifix nuts into the holes on top of the canopy (J), then use a screwdriver to adjust the minifix nut to make sure the hole on it is aligned with the bore hole on the end of the canopy, as per illustrated in **FIGURE 3C**.

STEP #9:

Align the minifix bolt (6) on the headboard into the minifix nut (7) through the bore hole on the end of the canopy (J). Re-insert the minifix lock to secure the minifix bolt to the minifix nut, and the canopy will be fixed to the headboard. See **FIGURE 3D**. KEEP HOLDING THE CANOPY DURING NEXT STEP.

STEP #10:

Repeat the above procedure with the other canopy rail (J) to attach it to the headboard. KEEP HOLDING THE CANOPY DURING NEXT STEP

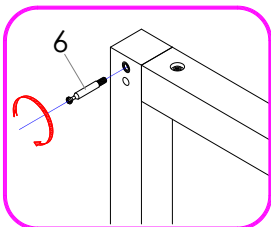
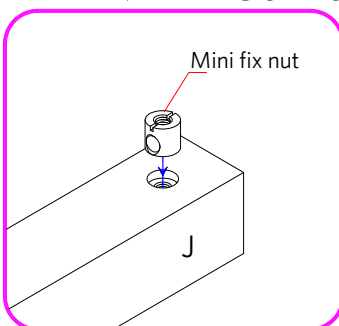
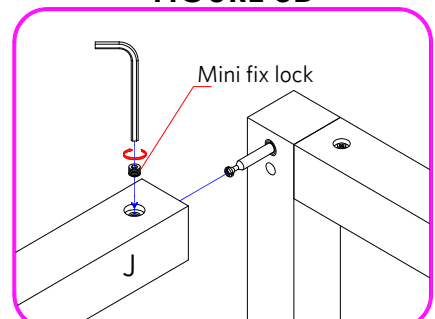
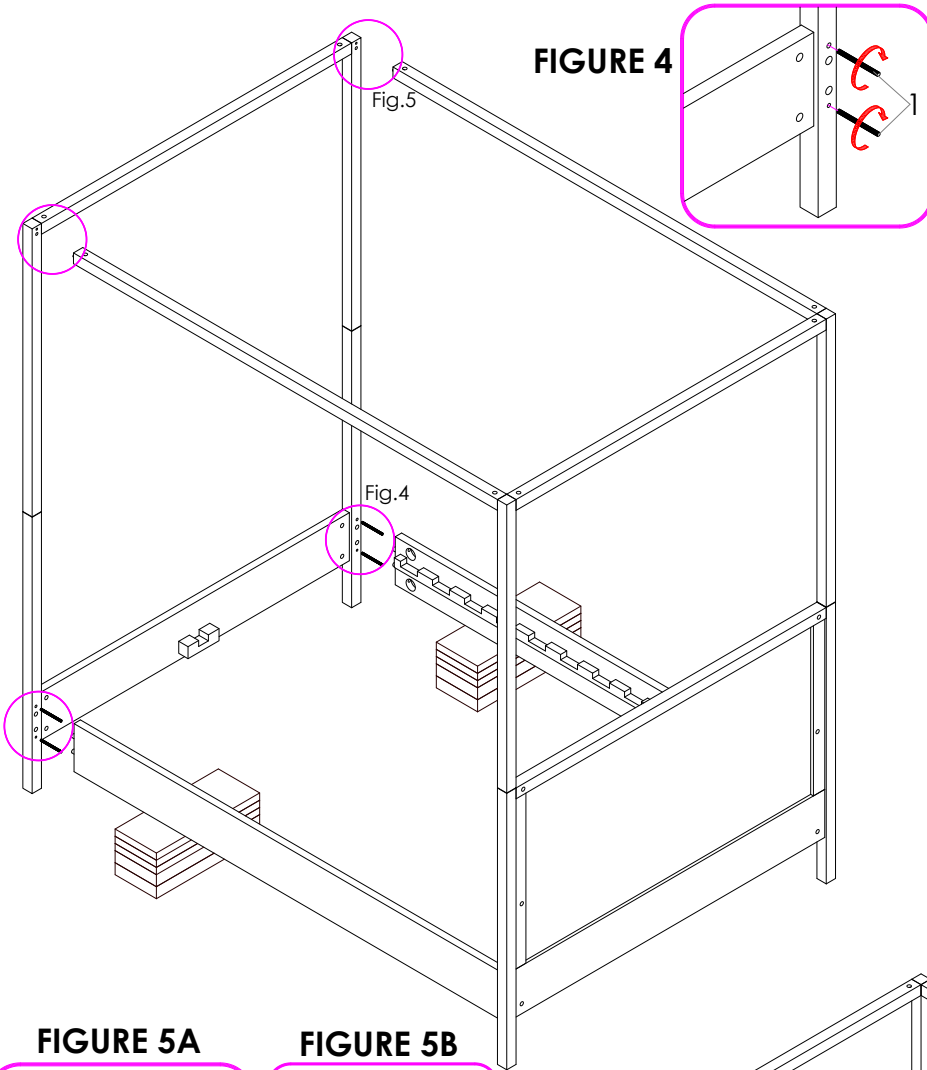
FIGURE 3A**FIGURE 3C****FIGURE 3D**

FIGURE 4



STEP #11:

Secure the threaded rod (1) the minifix bolts (6) to the fixed nut in the footboard by simply turning it manually. See **FIGURE 4** and **5A**.

STEP #12:

Remove the mini fix lock from the mini fix nut (7), as per illustrated in **FIGURE 5B**. Insert the minifix nuts into the holes on top of the canopy (J), then use a screwdriver to adjust the minifix nut to make sure the hole on it is aligned with the bore hole on the end of the canopy, as per illustrated in **FIGURE 5C**.

STEP #13:

Align the minifix bolt (6) on the footboard into the minifix nut (7) through the bore hole on the end of the canopy (J). Re-insert the minifix lock to secure the minifix bolt to the minifix nut, and the canopy will be fixed to the footboard. See **FIGURE 5D**.

STEP #14:

Insert curved washer (2), lock washer (3) and place hex nuts (4) on threaded rod (1) then tighten the hex nuts (4) with wrench (5) provided, see **FIGURE 6**.

FIGURE 5A

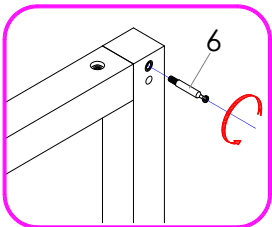


FIGURE 5B

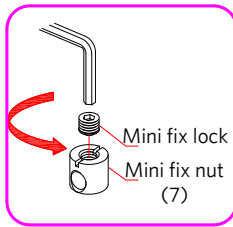


FIGURE 5C

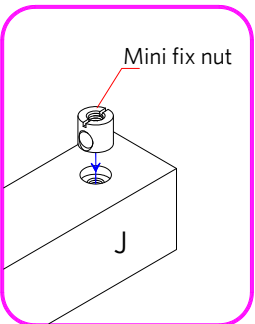


FIGURE 5D

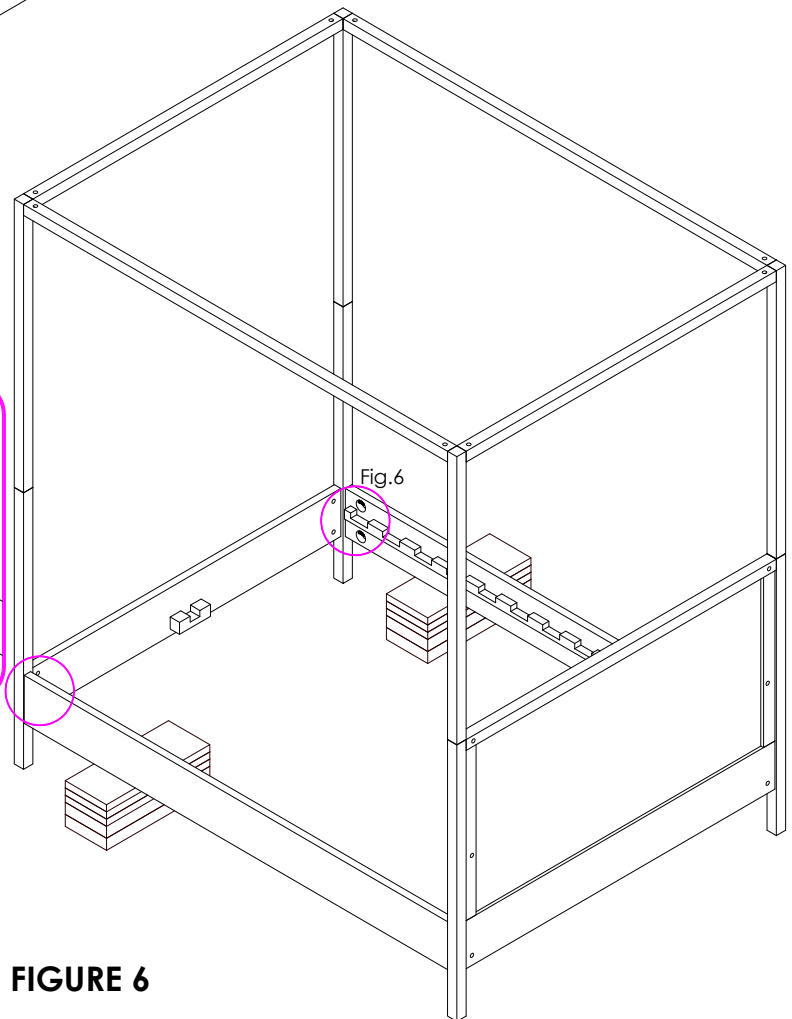
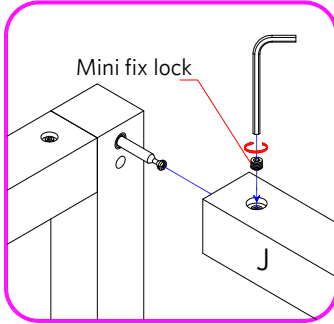


FIGURE 6

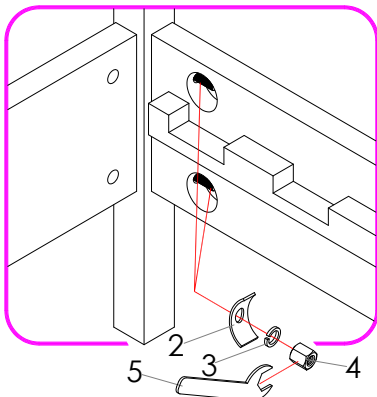


FIGURE 7

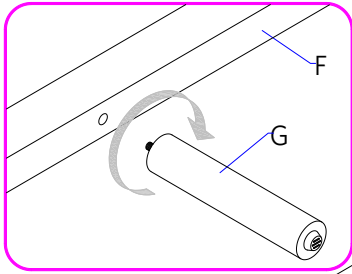
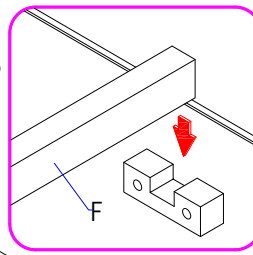


FIGURE 8



STEP #15:

Attach the short support leg (G) to the slat support (F) by turning it manually, as illustrated in **FIGURE 7**.

STEP #16:

On inside face of both headboard and footboard are pre-installed metal brackets for the support slat (F). Set the support slat (F) on the brackets, as illustrated in **FIGURE 8**.

STEP #17:

Check the center leg leveling, if it does not seat level, adjust the leveler on the bottom of the support leg, as per illustrated in **FIGURE 9**.

STEP #18:

On inside surface of both side rails (C) are cavities designed to hold the individual bed slats (H). Set individual bed slats (H) on both cavities of the side rails (C) as illustrated in **FIGURE 10**.

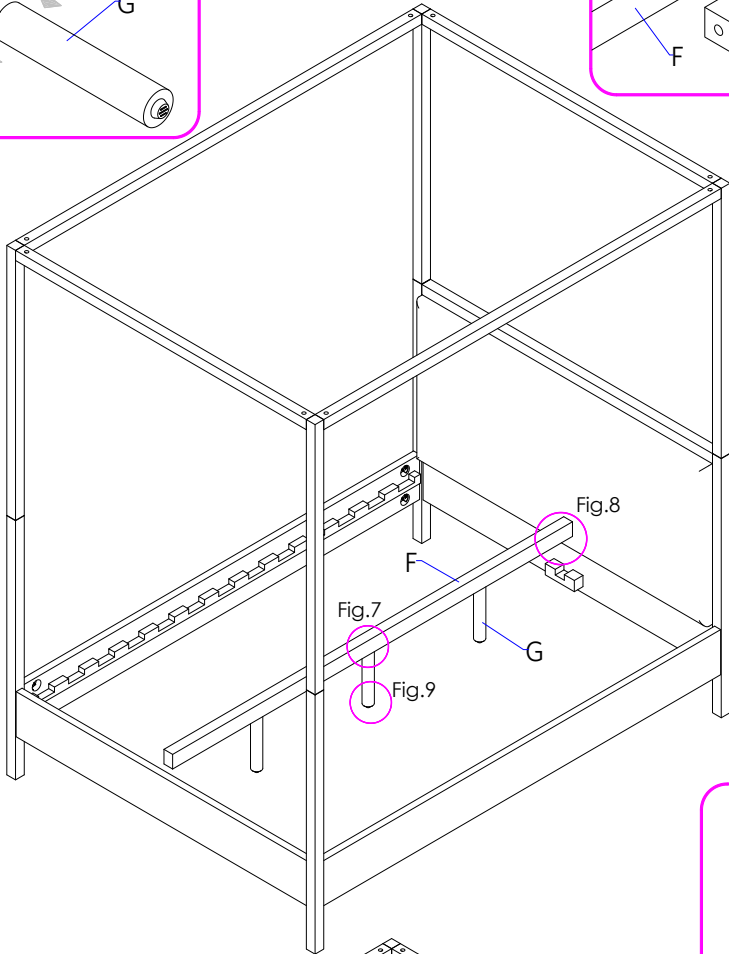


FIGURE 9

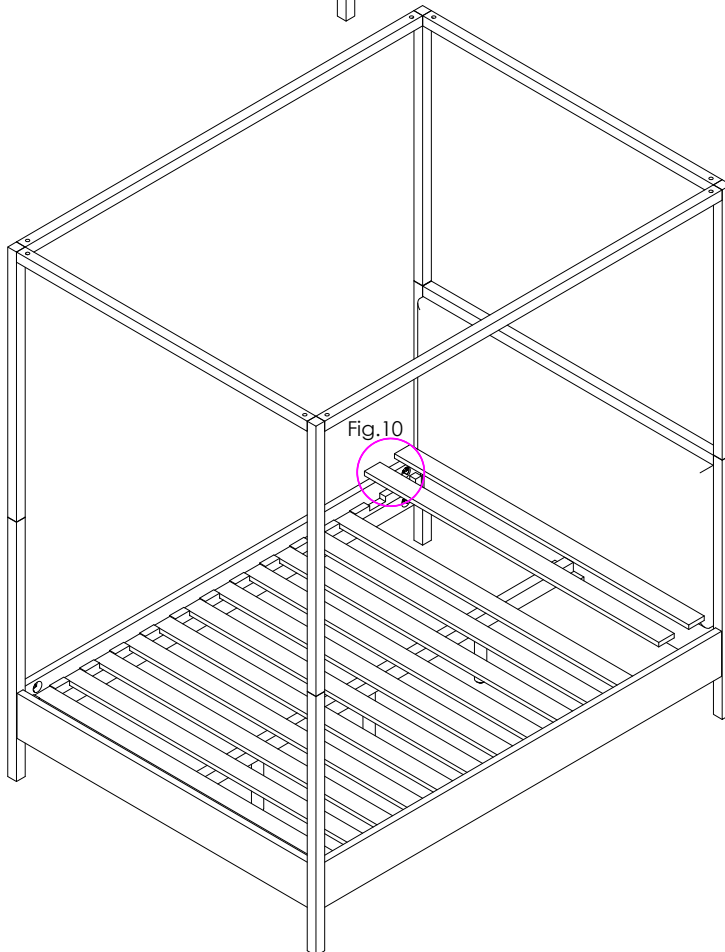
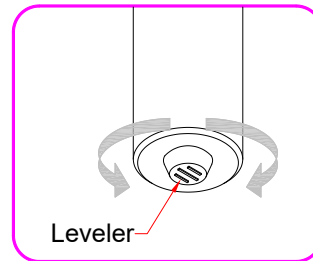


FIGURE 10

