

Thank you for choosing this quality product. Be sure to check all packaging materials carefully for small parts that may have become loose during shipment and place all parts on a non-abrasive surface.

**IMPORTANT** :These parts can be cumbersome and heavy to some people, therefore the assistance of two or more people is recommended in order to prevent personal injury and insure the furniture is not damaged during the assembly Process.





### CARE INSTRUCTIONS:

- Dust often using a clean, soft, dry lint-free cloth.
- Blot spills immediately and wipe with a clean, damp, cloth.
- We do not recommend the use of chemical cleansers, abrasives, or furniture polish on our lacquered finish.

### PART LIST

- A. [1] TOP  
B. [2] BASE (Left & Right)

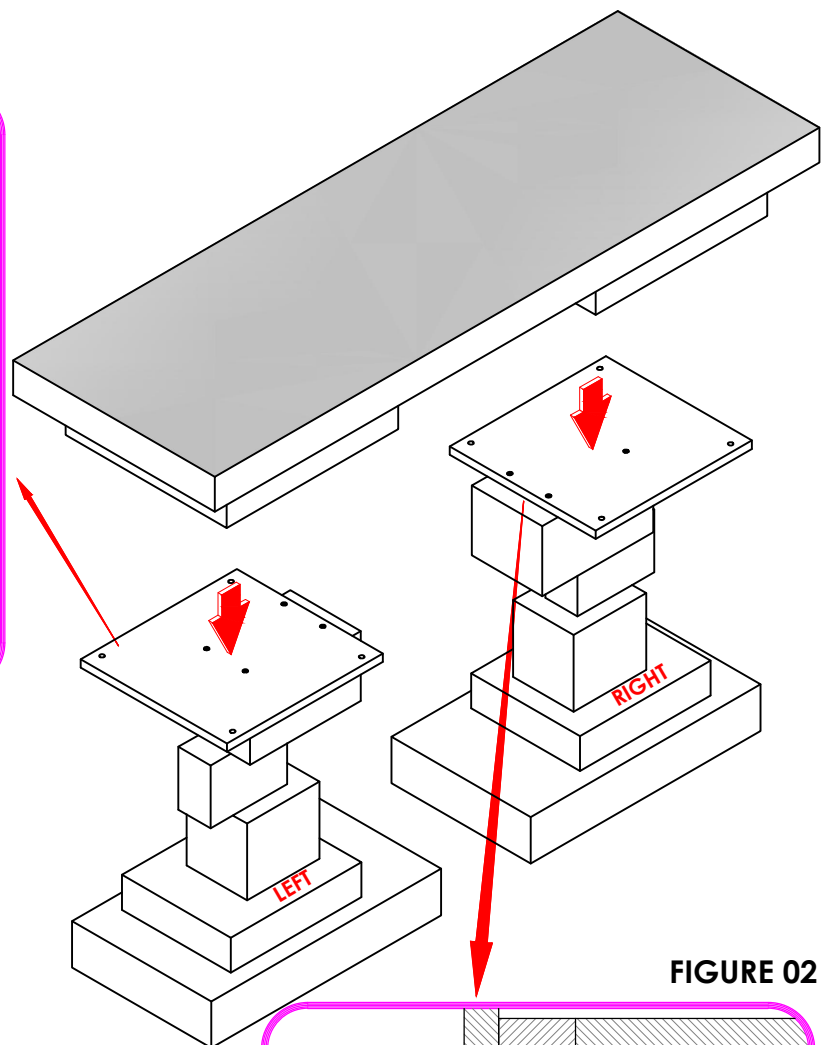
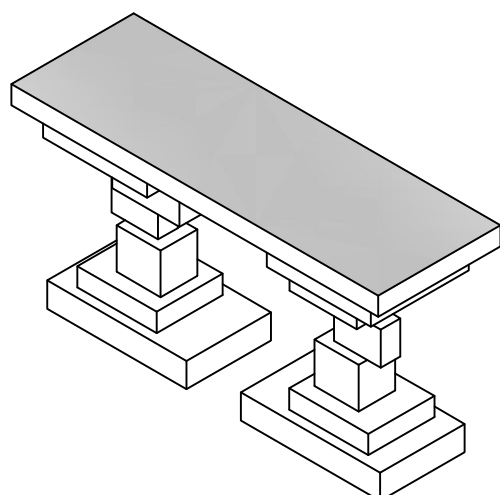
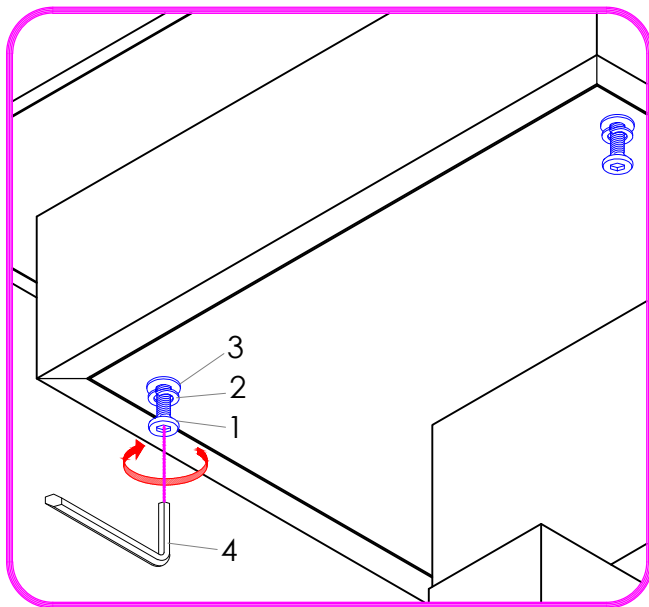
### HARDWARE LIST

NO	DESCRIPTION	QTY
1	 ALLEN BOLT 38mm	8
2	 LOCK WASHER	8
3	 FLAT WASHER	8
4	 ALLEN WRENCH	1

### INSTRUCTIONS

1. Place the top (A) on the base (B),see **FIGURE 02**. Align and insert Allen bolt (1), lock washer (2) and flat washer (3) to each hole under top through the hole on the stretcher of the base. Tighten with Allen wrench (4),see **FIGURE 01**.

**FIGURE 01**



**FIGURE 02**

