



NICOR® | HBL4

LED Linear Low Bay/High Bay



HBL4

The HBL4 LED Linear Low Bay/High Bay improves upon the HBL line by providing increased performance and DLC 5.1 Premium ratings. With an ideal lumen package for replacing metal halide and linear fluorescent high bay systems, the HBL4 provides energy efficiency greater than 130 lumens per watt. The improved design offers high-performance with an improved lifespan, excellent color rendering, and even light uniformity. The HBL4 is available in 4000K and 5000K color temperatures and has suggested mounting heights from 15ft and above, making it the perfect solution for warehouses, gymnasiums, garages and other storage areas, commercial and manufacturing facilities, as well as open and stack aisle applications.



FEATURES

Wireway Compartment

Easy access to wiring makes installation hassle-free

Sensor Socket

Includes 12V sensor socket for easy installation of compatible sensors

Rounded Edges

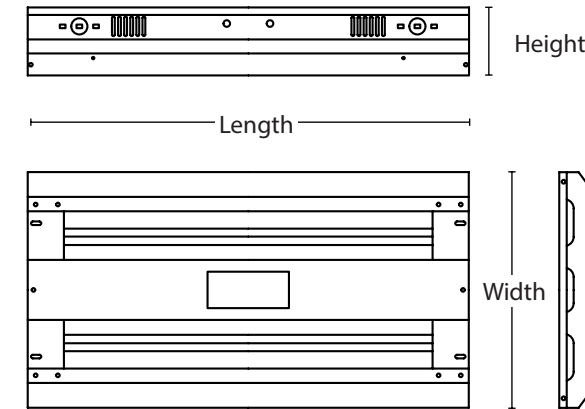
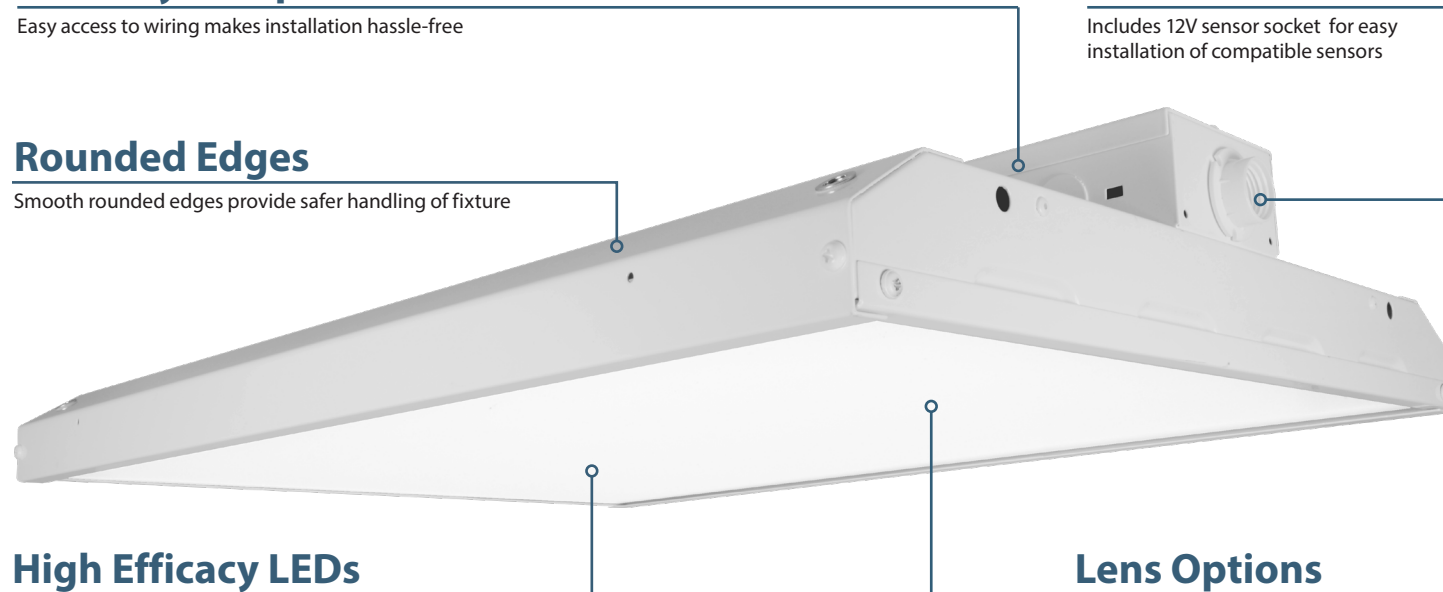
Smooth rounded edges provide safer handling of fixture

High Efficacy LEDs

Provide long-lasting, efficient performance with uniform color and light distribution greater than 130 LPW

Lens Options

Frosted acrylic lens to control glare



Product Measurements				
	HBL4105	HBL4155	HBL3210	HBL3300
Length	23.8 in (605mm)	23.8 in (605mm)	46.0 in (1166mm)	
Width	13.0 in (330mm)	23.8 in (605mm)	13.0 in (330mm)	
Height	3.6 in (92mm)	3.6 in (92mm)	3.6 in (92mm)	

Photometric Data				
Performance Data	HBL4105	HBL4155	HBL4210	HBL4300
Input Voltage (VAC)	120-277	120-277	120-277	120-277
System Level Power (W)	106.0	154.9	205.2	304.8
Delivered Lumens (Lm)	14914	21546	27550	41933
System Efficacy (Lm/W)	140.7	139.1	134.3	137.6
Correlated Color Temp (K)	5000	5000	5000	5000
Color Rendering Index (CRI)	80	80	80	80
Beam Angle (0)	104.0	103.4	102.4	102.3
Beam Angle (90)	104.9	104.5	102.9	104.3
Spacing Criteria (0)	1.26	1.26	1.24	1.26
Spacing Criteria (90)	1.26	1.26	1.24	1.24

Recommended Dimmers*	
Lutron NTSTV	Cooper SF10P
Leviton IP710	Legrand RH4FBL3PW

*Not a complete list. Check compatibility before installation

Product Information

Construction

- Durable steel construction with powder coat finish
- Vented steel housing provides thermal management through natural convection
- Top mounted wireway cover for easy wire access

Optical System

- Frosted acrylic lens
- CCTs of 4000K or 5000K with >80 CRI

Electrical

- Offers four power levels: 105W, 155W, 210W, 300W
- Utilizes advanced LED technology with CCT of 4000K and 5000K with >74 CRI
- Operating temperature rating of -40°F to 122°F (-40°C to 50°C)
- 10kA surge protection standard
- Input voltage of 120-277V, 347-480V input option available
- Dimming: 0-10V standard

Controls

- Optional PIR sensor
- Optional microwave sensor
- Optional integrated Low Voltage PIR or Microwave sensors
- Standard full-range dimming with compatible 1-10VDC dimmers
- Bluetooth Low Energy (BLE) mesh network providing Luminaire Level Lighting Control
- Field installable BLE PIR/Daylight sensor available
- Configurable with the NICOR NLC app available on iOS and Android devices
- Provides full dimming control, scheduling, LLLC with occupancy and daylight harvesting

Mounting and Installation

- V-hook and chain mounting system included
- Wireguard option available for increased fixture protection
- Pendant mount or surface mount kits available
- Motion sensor options available
- Cord or FMC options available
- For installations where power surge may be possible, NICOR recommends installing additional surge protection at the fixture or electrical distribution panel

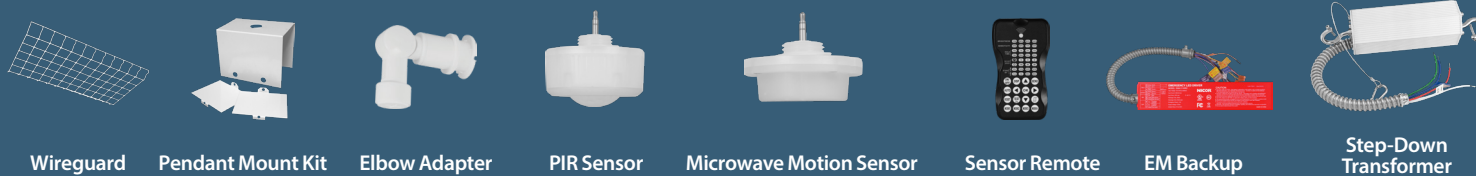
Listings

- UL/cUL1598 Listed for damp locations
- DLC 5.1 Premium Listed (for standard version only. HV option not listed)
- RoHS Compliant
- Meets FCC Part 15, Subpart B, Class A standards for conducted and radiated emissions
- TM-21 Reported L70(10k) life >72,000 hours
- LM-79, LM-80 testing performed in accordance with IESNA standards

Warranty

- 5-year limited system warranty standard
- Warranty does not cover product failure due to an overvoltage event (power surge)

ASSESSORIES



Wireguard Pendant Mount Kit Elbow Adapter PIR Sensor Microwave Motion Sensor Sensor Remote EM Backup Step-Down Transformer

Ordering Information								Ex. HBL4105UV4K
Series	Version	Wattage	Input Voltage	12V Output	CCT	Emergency	Wiring Options	
HBL	4	105 (14700 lm)	U (120-277V)	V (12VDC Socket)	4K (4000K)	_ (none)	_ (none)	
		155 (21500 lm)	H (347-480V) ⁴		5K (5000K)	E (EMA25)	C (3-wire Cord) ²	
		210 (27300 lm)					C4 (4-wire Cord) ²	
		300 (41000 lm)					F (Flexible Metal Conduit) ³	

Specifications and dimensions subject to change without notice.

1. Field installed plugs are placed inside the carton for field attachment only. Plug not available on emergency enabled fixtures 2. Cord is 18/3 wire, 6' long, black. Consult factory for other lengths 3. Flexible metal conduit is 6' long, 18/3 wire configuration. Consult factory for other lengths. 4. H (High-Voltage) not available on 300W option.

Warehouse Locations

Albuquerque, NM
Buford, GA
Roseville, CA

T. 800.821.6283

F 800.892.8393

www.nicorlighting.com

2200 Midtown Pl. NE
Albuquerque, NM 87107 USA

